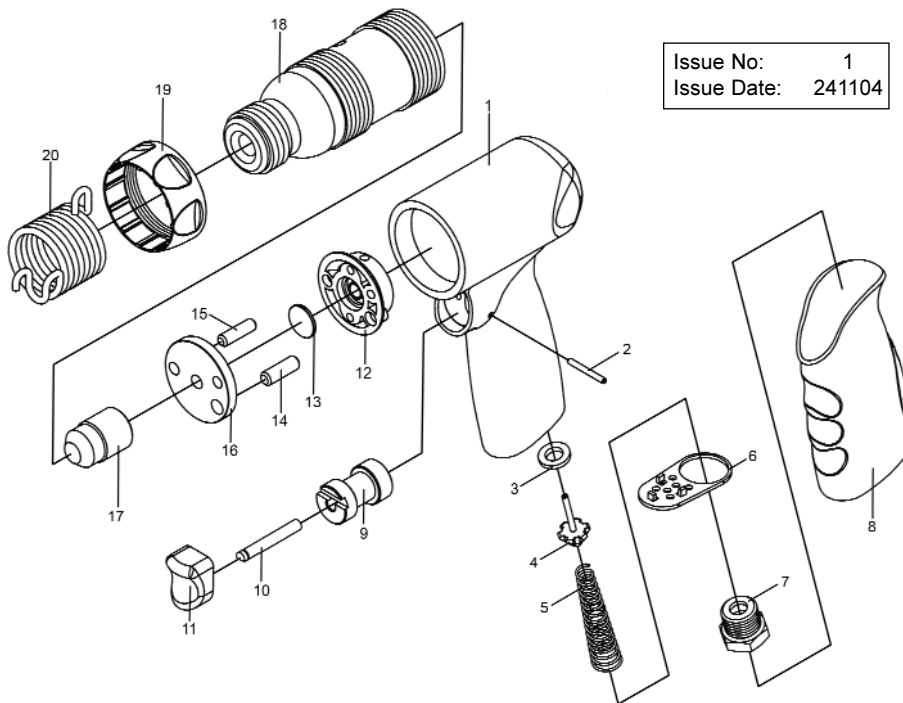


## 6. PARTS LIST

ITEM	PART NO.	DESCRIPTION
01.	GSA11.01	HOUSING
02.	GSA01.05	SPRING PIN
03.	GSA01.08	VALVE SEAT
04.	GSA01.09	THROTTLE VALVE
05.	GSA11.05	VALVE SPRING
06.	GSA11.06	EXHAUST DEFLECTOR
07.	GSA01.12	AIR INLET
08.	GSA11.08	PLASTIC GRIP
09.	GSA11.09	BUSHING
10.	GSA11.10	TRIGGER SHAFT
11.	GSA01.06	TRIGGER
12.	GSA11.12	REAR VALVE SEAT
13.	GSA11.13	CHECK VALVE
14.	GSA11.14	VALVE PIN (A)
15.	GSA11.15	PIN
16.	GSA11.16	UPPER VALVE
17.	GSA11.17	PISTON
18.	GSA12.18	ROUND CYLINDER
19.	GSA11.19	PLASTIC COVER
20.	GSA11.20	SPRING RETAINER



Issue No: 1  
Issue Date: 241104

**NOTE:** It is our policy to continually improve products and as such we reserve the right to alter data, specifications and component parts without prior notice. **IMPORTANT:** No liability is accepted for incorrect use of this equipment. **WARRANTY:** Guarantee is 12 months from purchase date, proof of which will be required for any claim. **INFORMATION:** For a copy of our latest catalogue and promotions call us on 01284 757525 and leave your full name and address, including postcode.

**Declaration of Conformity** We, the sole importer into the UK, declare that the product listed here is in conformity with the following standards and directives.

**MEDIUM STROKE G3 AIR HAMMER**  
Model: GSA12

98/37/EC Machinery Directive  
93/68/EEC CE Marking Directive



The construction file for this product is held by the Manufacturer and may be inspected, by a national authority, upon request to Jack Sealey Ltd.

Signed by Mark Sweetman

24th November 2004

For Jack Sealey Ltd.  
Sole importer into the UK  
of Sealey Power Products

**SEALEY POWER TOOLS**

Sole UK Distributor, Sealey Group, Bury St. Edmunds, Suffolk.



01284 757500



01284 703534



www.sealey.co.uk



sales@sealey.co.uk