

INCORPORATING EXTENSION PACK WITH 4 MESH SHELVES MODEL NO: **AP6572E**

Thank you for purchasing a Sealey product. Manufactured to a high standard this product will, if used according to these instructions and properly maintained, give you years of trouble free performance.

IMPORTANT: PLEASE READ THESE INSTRUCTIONS CAREFULLY. NOTE THE SAFE OPERATIONAL REQUIREMENTS, WARNINGS & CAUTIONS. USE THE PRODUCT CORRECTLY AND WITH CARE FOR THE PURPOSE FOR WHICH IT IS INTENDED. FAILURE TO DO SO MAY CAUSE DAMAGE OR PERSONAL INJURY, AND WILL INVALIDATE THE WARRANTY. PLEASE KEEP INSTRUCTIONS SAFE FOR FUTURE USE.

1. SAFETY INSTRUCTIONS

1.1 GENERAL SAFETY

- ❑ **WARNING!** Ensure Health & Safety, and local authority regulations are adhered to when assembling and using these shelves.
- ✓ Locate shelves in a suitable area where they will not be an obstruction.
- ✓ Keep the general area clean, uncluttered and ensure there is adequate lighting.
- ❑ **WARNING!** Erect shelves on a level and solid surface such as concrete.
- ✓ Keep children and unauthorised persons away from the storage area.
- x **DO NOT** use the shelves for any purpose other than that for which they are designed.
- x **DO NOT** site the shelves out of doors.
- x **DO NOT** get the shelves wet or use in damp or wet locations or areas where there is condensation.
- x **DO NOT** clean the shelf supports with any solvents which may damage the coated surface.
- ✓ Ensure that the shelves are properly assembled before loading them with heavy items.
- ❑ Maximum load for each shelf is 800kg. Load must be evenly distributed.
- ✓ Where possible the unit should be fixed to the wall with suitable fixings
- ✓ Place heavier items on the lower shelves.
- ✓ Where possible heavier items should be evenly distributed across the shelves.

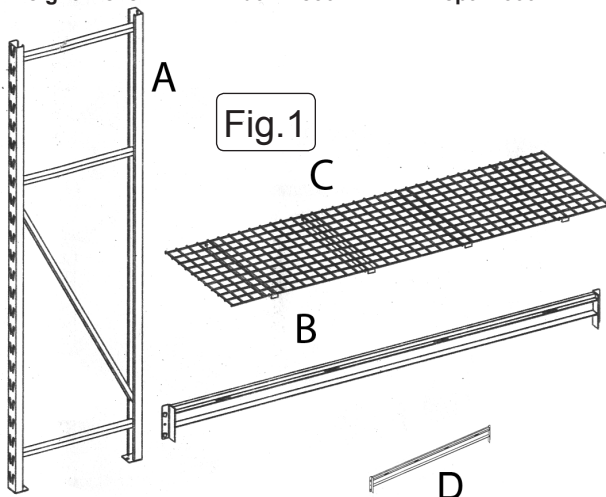
IMPORTANT NOTE!

This unit has been third party tested to a max. load capacity of 800kg per shelf. It is important that the load is evenly distributed. Please note that the cross beams will flex even before max. capacity is reached. This is normal and the beams will return to their original shape once load is removed.

2. INTRODUCTION

Fully painted steel frame with four heavy-duty mesh shelves. Industrial structured beams offers added strength with 800kg capacity per level, giving a maximum capacity of 3200kg per rack. Boltless design means no tools required to assemble. Clips together in minutes. Suitable storage solution for workshop, body shop, warehouse and agricultural environments.

Height: 1828mm Width: 1830mm Depth: 600mm



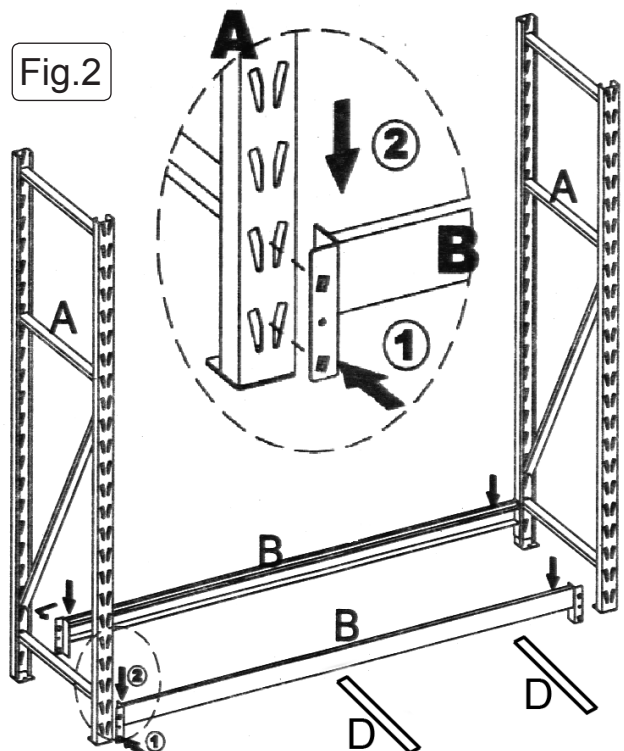
3. CONTENTS

Carefully unpack the product and check the contents (fig.1) against the list below. Should any items be missing or damaged make immediate contact with your Sealey dealer.

Part Description	Quantity
A Upright Frame	2
B Cross Beam (Long)	8
C Wire Mesh Shelves	4
D Cross Beam (Short)	8

4. ASSEMBLY

- 4.1. We recommend that this shelving unit be assembled by two people. The only tool required is a rubber mallet. Do not use a hard faced hammer as this will damage the surface finish of the cross beams. Make sure that all the clips lock in place securely before using the unit. Do not use any parts that are damaged and/or distorted as these may assemble incorrectly and result in an installation that is unsafe and which may cause injury or damage when the shelves are loaded.



- 4.2 See Fig.2. Support one end frame 'A' in a vertical position and attach the end of one cross beam 'B' to it at the base of one of the uprights. Ensure that both tags on the end bracket engage properly with the slots in the upright as shown in the inset diagram above. Tap the cross beam gently next to the end bracket so that the beam is properly seated into the slots in the upright. Connect the other end of the beam to the second end frame at the same height and tap into place.
- 4.3 Attach another cross beam 'B' to the other side of the end frames 'A' ensuring that it is at the same level as the first cross beam.

Attach 2 smaller cross beams 'D' between the main cross beams 'B'.

4.4 See Fig.3. Continue to assemble the next two pairs of cross beams at the heights required. The end frames allow adjustment in 3" increments. Each pair of beams must be mounted at the same height. Ensure that all tabs on the cross beam brackets are fully engaged in the slots in the uprights and that the cross beams are properly tapped down into place.

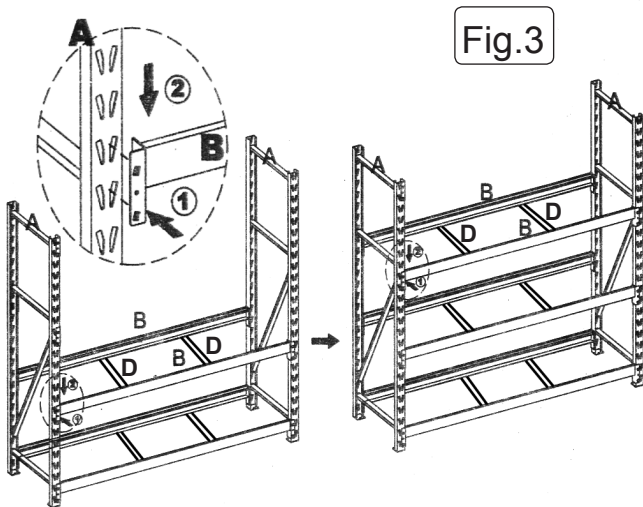


Fig.3

4.5 See Fig.4. Assemble the remaining two cross beams to the top of the frame as shown below ensuring that the tabs are fully engaged into the end frames.

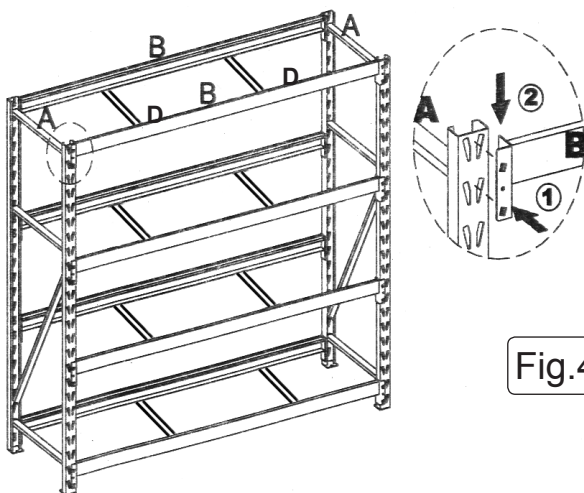


Fig.4

4.6 See Fig.5. Each wire deck 'C' is reinforced with four cross members welded onto the underside of the mesh. Each of these cross members has a turned down tab at either end that must pass through slots in the cross beams. Place a wire deck onto each pair of cross beams as shown below ensuring that it sits into the recessed section on the top surface of each cross beam and all tabs pass through the slots in the cross beams as shown in the inset diagram at the bottom of Fig.5.

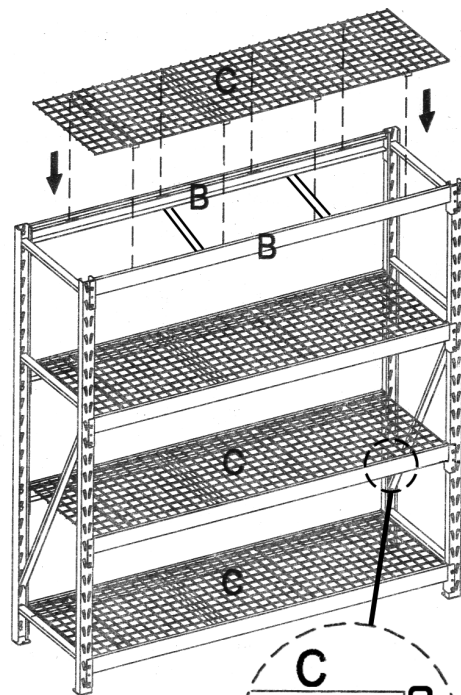


Fig.5

4.7 See Fig.6. Extra components are available to create extra storage bays as required (see Section 3). In the example below a third storage bay is achieved by joining two free standing units.

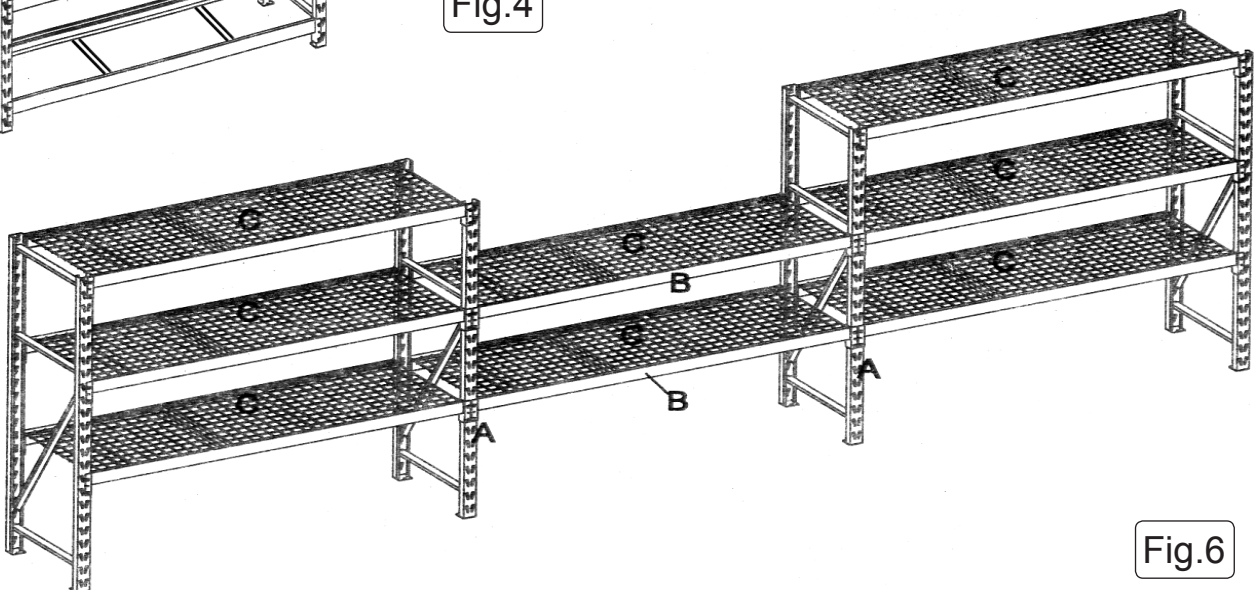


Fig.6

NOTE: It is our policy to continually improve products and as such we reserve the right to alter data, specifications and component parts without prior notice.

IMPORTANT: No liability is accepted for incorrect use of this product.

WARRANTY: Guarantee is 12 months from purchase date, proof of which will be required for any claim.

INFORMATION: For a copy of our latest catalogue and promotions call us on 01284 757525 and leave your full name and address, including postcode.



Sole UK Distributor, Sealey Group,
Kempson Way, Suffolk Business Park,
Bury St. Edmunds, Suffolk,
IP32 7AR



01284 757500



www.sealey.co.uk



01284 703534



sales@sealey.co.uk

Fig.A

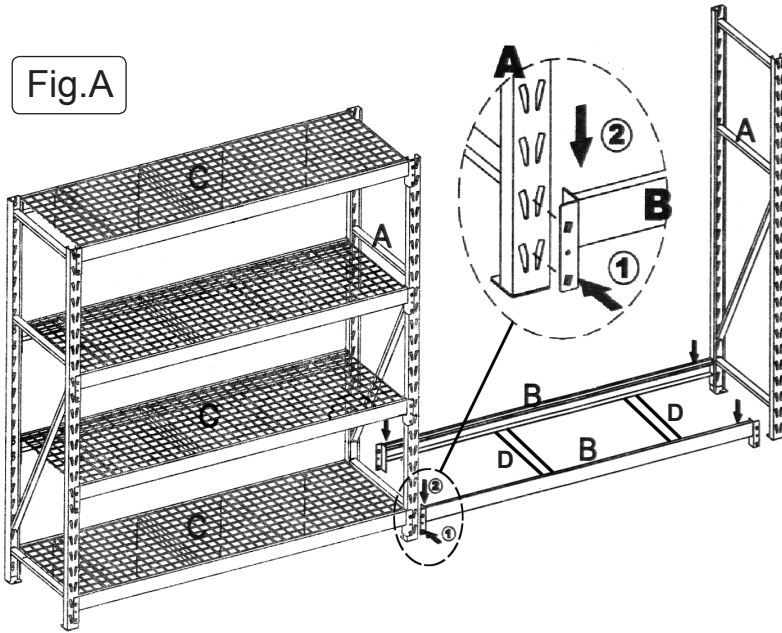


Fig.B

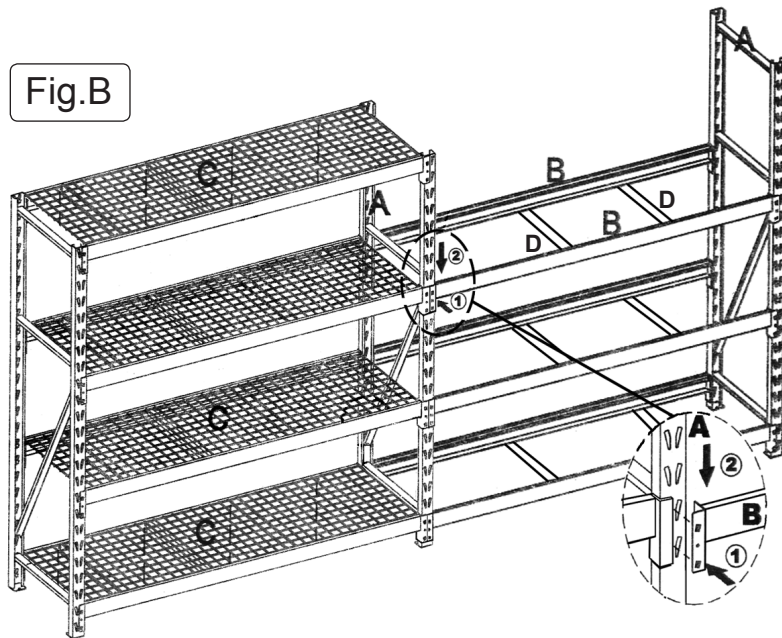
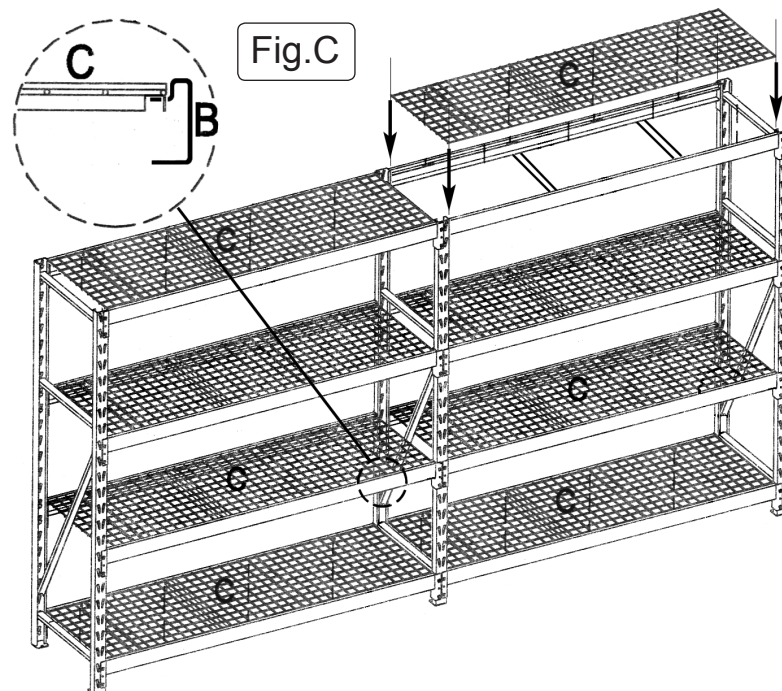


Fig.C



EXTENSION PACK

MODEL NO: **AP6572E**

Carefully unpack the product and check the contents against the list below. Should any items be missing or damaged make immediate contact with your Sealey dealer.

Part Description Qty.

A	Upright Frame	1
B	Cross Beam (Long)	8
C	Wire Mesh Shelves	4
D	Cross Beam (Short)	8



- 1.0 We recommend that this extension unit be assembled by two people. The only tool required is a rubber mallet. Do not use a hard faced hammer as this will damage the surface finish of the cross beams. Make sure that all the clips lock in place securely before using the unit. Do not use any parts that are damaged and/or distorted as these may assemble incorrectly and result in an installation that is unsafe and which may cause injury or damage when the shelves are loaded.
- 2.0 **See Fig.A.** Support one end frame 'A' in a vertical position and attach the end of one cross beam 'B' to it at the base of one of the uprights. Ensure that both tags on the end brackets engage properly with the slots in the uprights as shown in the inset diagram. Tap the cross beam gently next to the end bracket so that the beam is properly seated into the slots in the upright. Connect the other end of the beam to the existing racking unit at the same height and tap into place.
- 3.0 Attach another cross beam 'B' to the other side of the end frames 'A' ensuring that it is at the same level as the first cross beam. Attach 2 smaller cross beams 'D' between the main cross beams 'B'.
- 4.0 **See Fig.B.** Continue to assemble the next three pairs of cross beams at the heights required. The end frames allow adjustment in 3" increments. Each pair of beams must be mounted at the same height. Ensure that all tabs on the cross beam brackets are fully engaged in the slots in the uprights and that the cross beams are properly tapped down into place.
- 5.0 **See Fig.C.** Each wire deck 'C' is reinforced with four cross members welded onto the underside of the mesh. Each of these cross members has a turned down tab at either end that must pass through slots in the cross beams. Place a wire deck onto each pair of cross beams as shown ensuring that it sits into the recessed section on the top surface of each cross beam and all tabs pass through the slots in the cross beams as shown in the inset diagram at the top of Fig.C.