

Thank you for purchasing a Sealey product. Manufactured to a high standard this product will, if used according to these instructions and properly maintained, give you years of trouble free performance.

⚠ IMPORTANT: PLEASE READ THESE INSTRUCTIONS CAREFULLY. NOTE THE SAFE OPERATIONAL REQUIREMENTS, WARNINGS & CAUTIONS. USE THE PRODUCT CORRECTLY AND WITH CARE FOR THE PURPOSE FOR WHICH IT IS INTENDED. FAILURE TO DO SO MAY CAUSE DAMAGE OR PERSONAL INJURY AND WILL INVALIDATE THE WARRANTY. PLEASE KEEP INSTRUCTIONS SAFE FOR FUTURE USE.

1. SAFETY INSTRUCTIONS

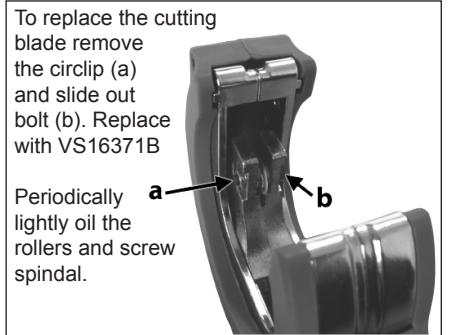
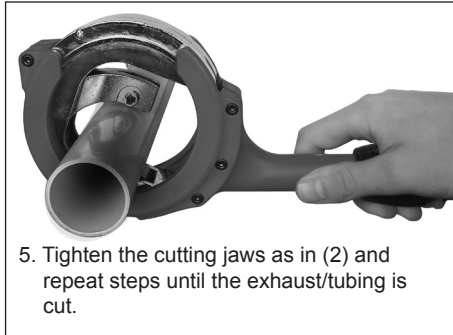
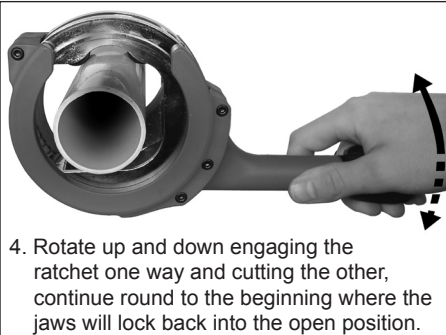
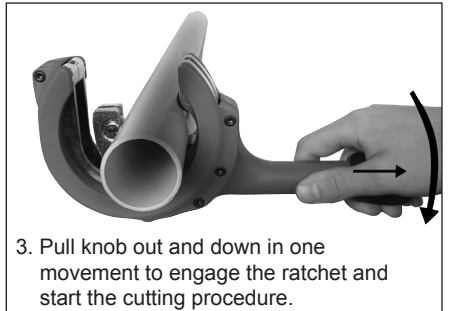
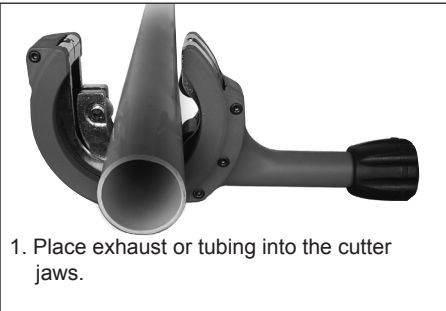
- ❑ **WARNING!** The blade used is sharp and should be treated with due caution.
- ✓ Store the cutter in a safe childproof place when not in use.
- ✓ Use in a suitable, clean and tidy work area, free from unrelated materials. Ensure there is adequate lighting.
- ✗ **DO NOT** continue to attempt cutting any pipe that withstands penetration.
- ✗ **DO NOT** insert a finger into the cutting area at any time.
- ✗ **DO NOT** turn the pipe whilst cutting.
- ✗ **DO NOT** allow untrained people to use the cutter.
- ✗ **DO NOT** allow children to use or play with the cutter.
- ✗ **DO NOT** use the cutter for tasks it is not designed to perform.
- ✗ **DO NOT** operate cutter if any parts are damaged or missing as this may cause failure and/or personal injury.
- ✗ **DO NOT** operate the cutter when you are tired or under the influence of alcohol, drugs or intoxicating medication.

2. INTRODUCTION AND SPECIFICATIONS

Universal application pipe cutter designed for where access is restricted. Ratchet mechanism allows cutting without having to rotate the tool completely around the tubing. Cuts up to 3mm thick and is suitable for the toughest materials including stainless steel exhaust pipes. Tightening screw allows quick and easy jaw adjustment and enables a one handed operation. Ensures fast and problem free cutting of exhaust pipes and limits the risk of hand fatigue and personal injury.

- Capacity 28-67mm
- Maximum Thickness 3mm
- Replacement Cutting Wheel VS16371B

3. OPERATION



NOTE: It is our policy to continually improve products and as such we reserve the right to alter data, specifications and component parts without prior notice.

IMPORTANT: No liability is accepted for incorrect use of this product.

WARRANTY: Guarantee is 12 months from purchase date, proof of which will be required for any claim.

INFORMATION: For a copy of our latest catalogue call us on 01284 757525 and leave your full name and address, including postcode.