

SEALEY

POWER PRODUCTS

INSTRUCTIONS FOR:
HEAVY-DUTY LEVER PUMP
HIGH FLOW
Model: **TP6801**

Thank you for purchasing a Sealey product. Manufactured to a high standard this product will give you years of trouble free performance if these instructions are carefully followed and the product is correctly maintained.



IMPORTANT: PLEASE READ THESE INSTRUCTIONS CAREFULLY. NOTE THE SAFE OPERATIONAL REQUIREMENTS, WARNINGS AND CAUTIONS. USE THIS PRODUCT CORRECTLY AND WITH CARE FOR THE PURPOSE FOR WHICH IT IS INTENDED. FAILURE TO DO SO MAY CAUSE DAMAGE OR PERSONAL INJURY AND WILL INVALIDATE THE WARRANTY. PLEASE RETAIN THESE INSTRUCTIONS FOR FUTURE USE.

1. SAFETY INSTRUCTIONS

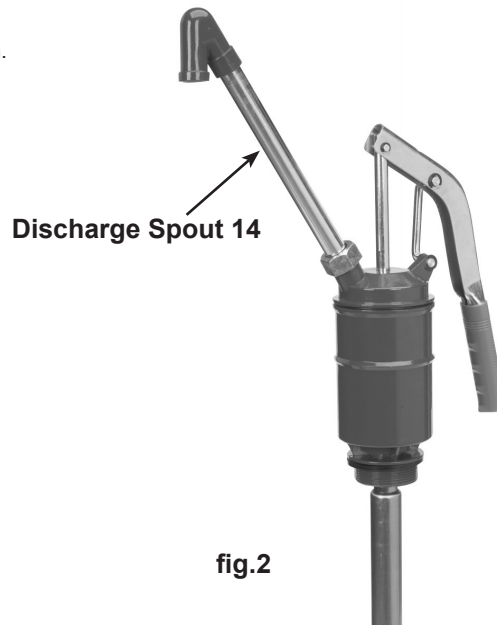
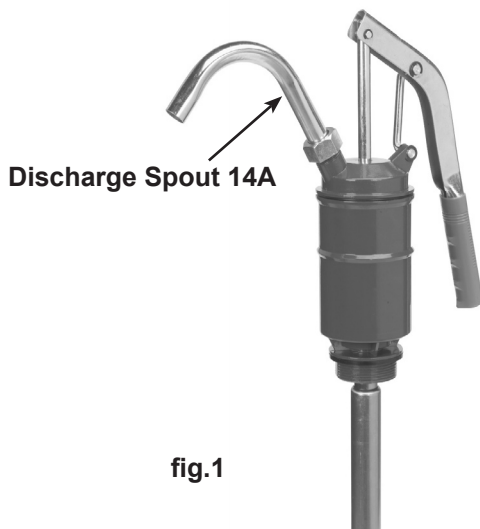
- p **WARNING!** Ensure health & safety, local authority, and general workshop practice regulations are strictly adhered to when using this equipment.
- 3 Familiarise yourself with product application and limitations, as well as the specific potential hazards peculiar to this product.
 - 3 Maintain the pump in good condition (use an authorised service agent).
 - 3 Replace or repair damaged parts. *Use genuine parts only. Non authorised parts will invalidate the warranty.*
 - 3 Use only to pump NON-Corrosive fluids such as oil, anti-freeze, degreasants, solvents, agricultural and industrial chemicals.
 - 3 Ensure safety eye protection and protective clothing are worn when using this product.
 - 3 Keep the work area clean, uncluttered and ensure there is adequate lighting.
 - 3 Maintain correct balance and footing. Ensure the floor is not slippery and wear non slip shoes.
 - 3 Keep children and unauthorised persons away from the working area.
 - 3 Dispose of waste liquids in accordance with local authority regulations.
 - 7 **DO NOT** use to extract corrosive fluids.
 - 7 **DO NOT** dismantle, tamper with or adapt the pump for any purpose other than for which it is designed.
 - 7 **DO NOT** use the unit if it has been dropped or mishandled, check the unit to ensure there is no damage.
 - 7 **DO NOT** use the pump as a handle to move the fluid drum.
 - 3 Keep the pump clean and store in a safe dry, childproof location.
 - p **WARNING! DO NOT** allow uncontrolled discharge of fluids thus polluting the environment.

2. APPLICATION

Steel barrelled, self priming, lever pump. Supplied with 2" BSP adaptor and dip-tube suitable for 50 to 200ltr drums. Suitable for oils, antifreeze, degreasants and other non-corrosive fluids. High flow unit delivers approximately 540ml per stroke. Supplied with two delivery nozzles, one standard swan neck and one acute angle with filter for removing impurities from fluids.

3. INSTALLATION

- 3.1 Attach the discharge spout (14 or 14A) to the pump ensuring that seal (16) is correctly fitted.
- 3.2 Screw the suction tube (19) into the underside of the pump.
- 3.3 Insert the pump into the 2" BSP drum opening and hand tighten.



NOTE: It is our policy to continually improve products and as such we reserve the right to alter data, specifications and component parts without prior notice.

IMPORTANT: No liability is accepted for incorrect use of product.

WARRANTY: Guarantee is 12 months from purchase date, proof of which will be required for any claim.

INFORMATION: Call us for a copy of our latest catalogue on 01284 757525 and leave your full name and address including your postcode.

SEALEY POWER PRODUCTS

Sole U.K. Distributor
Sealey Group
Bury St. Edmunds
Suffolk.



01284 757500

01284 703534



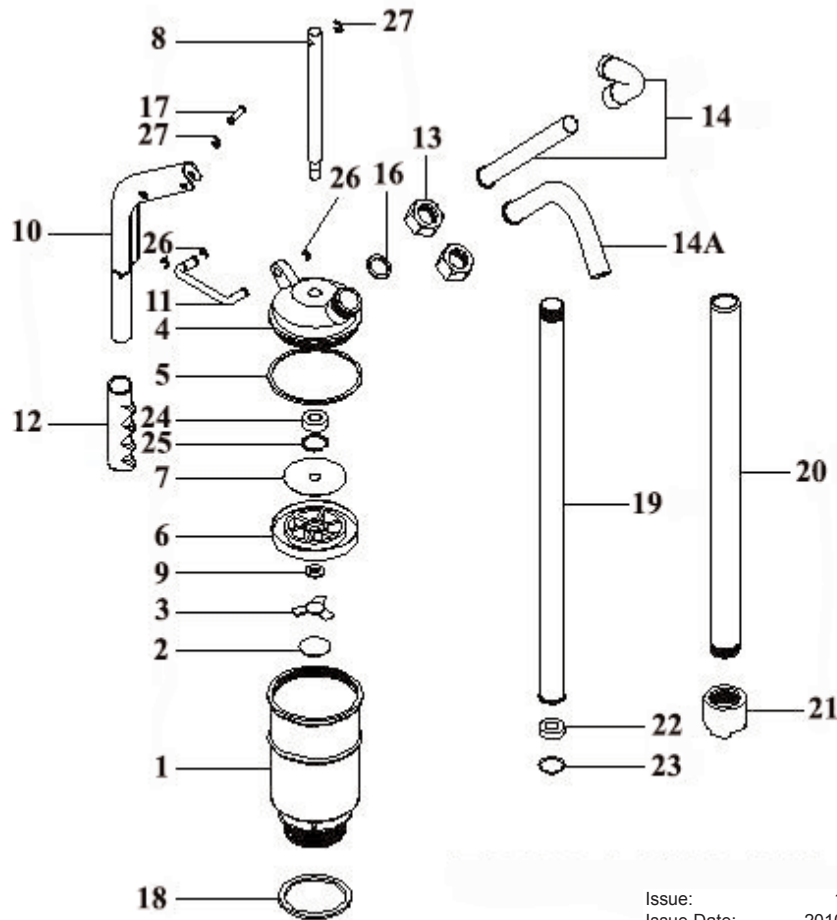
www.sealey.co.uk



sales@sealey.co.uk

TP6801

Issue No: 1 - 30/10/08



Issue: 1
 Issue Date: 201008

| ITEM | PART NO | DESCRIPTION | ITEM | PART NO | DESCRIPTION |
|------|-----------|------------------------------------|------|------------|--------------------------|
| 1 | TP6801.01 | BODY | 14A | TP6801.14A | DISCHARGE SPOUT (ANGLED) |
| 2 | TP6801.02 | CHECK PLATE | 16 | TP6801.16 | SPOUT SEAL |
| 3 | TP6801.03 | SET PLATE | 17 | TP6801.17 | ROLL PIN |
| 4 | TP6801.04 | COVER | 18 | TP6801.18 | GASKET |
| 5 | TP6801.05 | BODY GASKET | 19 | TP6801.19 | SUCTION TUBE |
| 6 | TP6801.06 | CHECK PLATE | 20 | TP6801.20 | EXTENSION TUBE |
| 7 | TP6801.07 | PISTON | 21 | TP6801.21 | STRAINER |
| 8 | TP6801.08 | PISTON ROD | 22 | TP6801.22 | TUBE SEAL |
| 9 | TP6801.09 | WASHER | 23 | TP6801.23 | TUBE SEAL |
| 10 | TP6801.10 | HANDLE | 24 | TP6801.24 | SHAFT PACKING |
| 11 | TP6801.11 | U-BAR HOLDER | 25 | TP6801.25 | RETAINING SPRING |
| 12 | TP6801.12 | HANDLE COVER | 26 | TP6801.26 | RETAINING SPRING |
| 13 | TP6801.13 | SPOUT NUT | 27 | TP6801.27 | RETAINING SPRING |
| 14 | TP6801.14 | DISCHARGE SPOUT (c/w spout cap) | | | |

NOTE: It is our policy to continually improve products and as such we reserve the right to alter data, specifications and component parts without prior notice.

IMPORTANT: No liability is accepted for incorrect use of product.

WARRANTY: Guarantee is 12 months from purchase date, proof of which will be required for any claim.

INFORMATION: For a copy of our latest catalogue and promotions call us on 01284 757525 and leave your full name and address, including postcode.