

Thank you for purchasing a Sealey product. Manufactured to a high standard this product will, if used according to these instructions and properly maintained, give you years of trouble free performance.

IMPORTANT: PLEASE READ THESE INSTRUCTIONS CAREFULLY. NOTE THE SAFE OPERATIONAL REQUIREMENTS, WARNINGS AND CAUTIONS. USE THE PRODUCT CORRECTLY AND WITH CARE FOR THE PURPOSE FOR WHICH IT IS INTENDED. FAILURE TO DO SO MAY CAUSE DAMAGE AND/OR PERSONAL INJURY AND WILL INVALIDATE THE WARRANTY. PLEASE KEEP INSTRUCTIONS SAFE FOR FUTURE USE.

1. SAFETY INSTRUCTIONS

1.1 GENERAL SAFETY

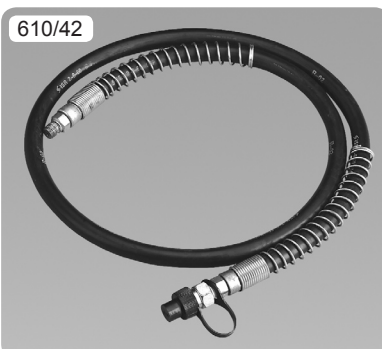
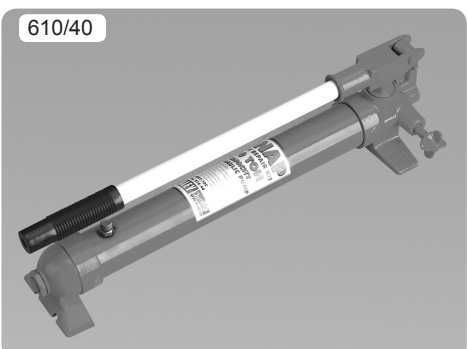
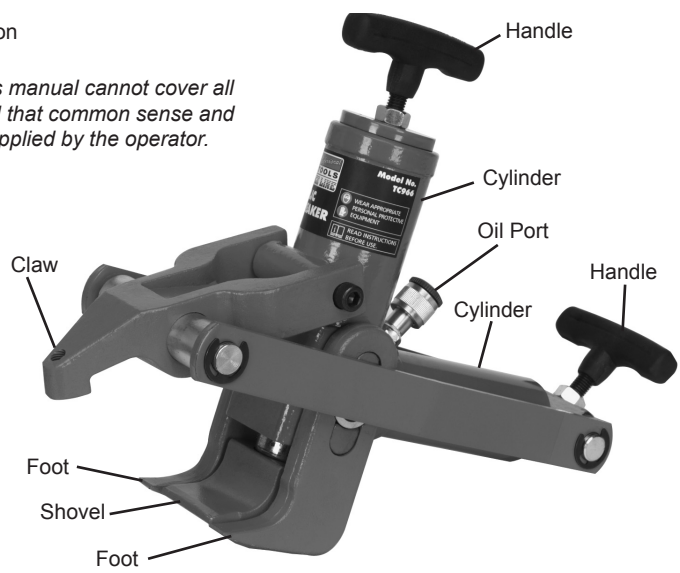
- ❑ **WARNING!** Ensure Health & Safety, local authority, and general workshop practice regulations are adhered to when using this equipment. Under Health and Safety Law, Employers and Self Employed Personnel have a legal duty to ensure Safe Working Conditions for all employees and personnel that may come into contact with this equipment. In particular they must carry out a specific risk and hazard assessment in the workplace to eliminate or reduce any risk found and must record, update and retain records of the results of this inspection.
- ✓ Familiarise yourself with the applications, limitations and any possible or potential hazards of the Bead Breaker.
- ✓ Maintain the Bead Breaker in good condition (use an authorised service agent).
- ❑ **WARNING!** The tyre must be deflated before using the bead breaker. Failure to heed this warning, could result in injury.
- ✓ Replace or repair damaged parts. Use genuine parts only. Unauthorised parts may be dangerous and will invalidate the warranty.
- ❑ **WARNING!** Check regularly for damaged parts. Any part that is damaged must be repaired or replaced before the equipment is next used.
- ✓ Use the Bead Breaker in a suitable work area, keep area clean and tidy and free from unrelated materials. Ensure that there is adequate lighting.
- ✓ Keep the Bead Breaker clean for best and safest performance.
- ✓ Wear approved safety eye protection.
- ✓ Keep hands well clear of the bead breaker.
- ✓ Maintain correct balance and footing. Ensure the floor is not slippery and wear non-slip safety shoes.
- ✓ Remove ill fitting clothing. Remove ties, watches, rings other loose jewellery and contain and/or tie back long hair.
- ✓ Keep hands away from pinch and crush points that can be created during operation.
- ✓ Keep children and unauthorised persons away from the work area.
- ❑ **WARNING! DO NOT use on split, multi-piece or rims greater than 26".**
- x **DO NOT** use the Bead Breaker for any purpose other than that for which it is designed.
- x **DO NOT** operate the Bead Breaker if any parts are damaged or missing as this may cause failure and/or personal injury.
- x **DO NOT** allow untrained persons to operate the Bead Breaker.
- x **DO NOT** operate the Bead Breaker when you are tired or under the influence of alcohol, drugs or intoxicating medication.
- x **DO NOT** top up system with brake fluid. Use hydraulic oil only.
- x **DO NOT** adjust the safety overload valve.
- ✓ When not in use clean the Bead Breaker and store in the open position in a safe, dry, child-proof area.
- ❑ **WARNING!** The warnings, cautions and instructions referred to in this manual cannot cover all possible conditions and situations that may occur. It must be understood that common sense and caution are factors which cannot be built into this product, but must be applied by the operator.

2. SPECIFICATIONS

Hydraulic action, suitable for breaking beads on commercial and agricultural tyres. Use in conjunction with hydraulic pump and hose (not included).

- ❑ **WARNING! DO NOT use on split, multi-piece or rims greater than 26".**

Optional Hydraulics:
Option 1
 Foot Operated Air Hydraulic Pump With Hose: RE83/840/CWH
Option 2
 Pump: 610/40
 Hose with Half Coupling: 610/42



3. OPERATION

- ❑ **WARNING! The tyre must be deflated before using the bead breaker. Failure to heed this warning, could result in injury.**
- ❑ **WARNING! DO NOT use on split, multi-piece or rims greater than 26".**

3.1 Connect the bead breaker to your pump. You may use either a manual pump (610/40) or a air hydraulic pump (RE83/840/CWH).

NOTE! The manual pump may need to be operated by a second person to allow the operator to keep both hands on the bead breaker.

NOTE! The foot operated air hydraulic pump will enable you to maintain greater control over the bead breaker. If using an air pump you will require a air supply of 100 - 120psi.

NOTE! Whichever pump you use, refer to the manufacturer's instructions supplied with that pump for correct connection and usage.

3.2 Remove valve core and all balance weights.

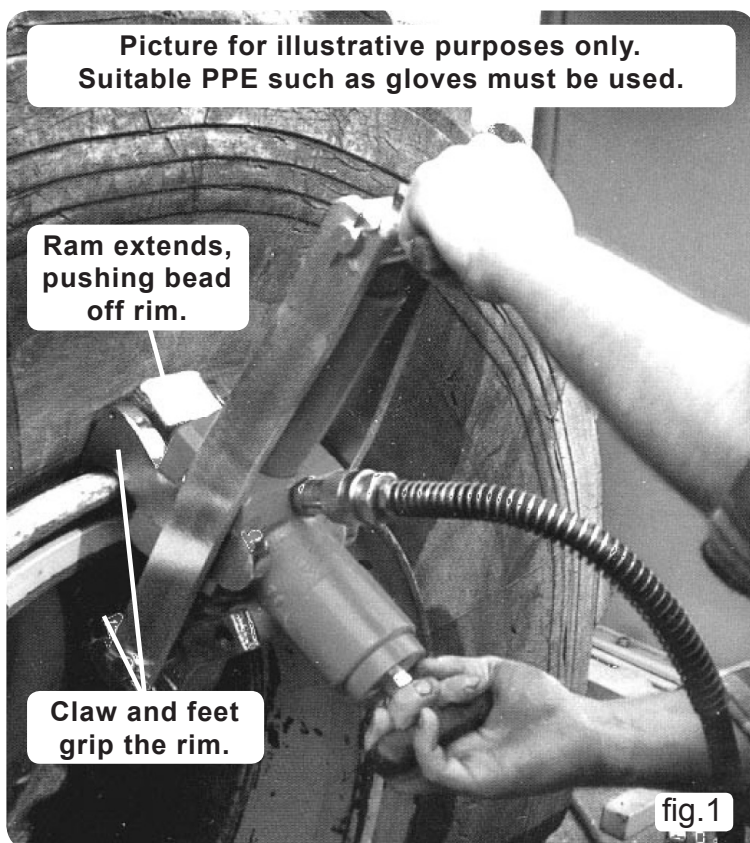
3.3 Hold the breaker to the rim as shown in fig.1.

3.4 Operate the pump. With the claw pushing against the outer part of the rim, the shovel and feet push against the bead of the tyre and the inner rim.

3.5 Maintaining the pump pressure, the shovel pushes against the tyre and breaks the bead from the wheel rim. When the bead is broken release the pump pressure and remove the bead breaker from the rim.

3.6 Repeat this operation around the wheel as many times as necessary to break the tyre bead all the way around the wheel.

3.7 Repeat steps 3.3 to 3.6 on the opposite side of the wheel.



4. MAINTENANCE

IMPORTANT: Only fully qualified personnel should attempt maintenance or repair.

4.1 When not in use, ensure jaw remains in the open position to minimise corrosion on the ram piston.

4.2 Keep the bead breaker clean and lubricate all moving parts on a regular basis.

- ❑ **WARNING! DO NOT use brake fluid as this may cause serious damage to the jack and will invalidate the warranty! Only use a good quality jack oil, such as SEALEY HYDRAULIC JACK OIL. NOTE: Ensure waste oil is disposed of in accordance with local authority regulations.**

4.3 Before each use check for broken, cracked, bent, or loose parts, or any visible damage to welds, ram, pump, jaws, frame and all parts including nuts, bolts, pins and other fasteners. If any suspect item is found, remove from service and take necessary action to remedy the problem.

DO NOT use the bead breaker if believed to have been subjected to abnormal load or shock. Inspect and take appropriate action.

IMPORTANT: NO RESPONSIBILITY IS ACCEPTED FOR INCORRECT USE OF THE MACHINE.

Hydraulic products are only repaired by local service agents. We have service/repair agents in all parts of the UK.

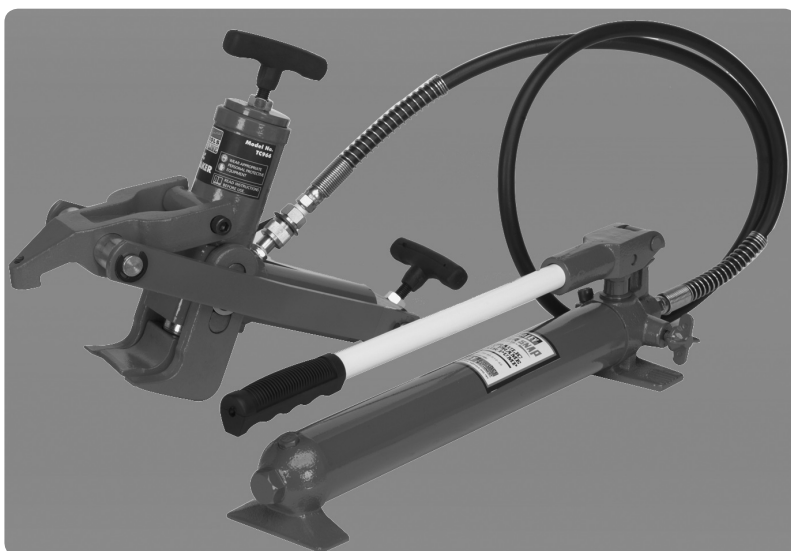
DO NOT return to Sealey. Please telephone Sealey on 01284 757500 to obtain the address and phone number of your local agent. If breaker is under guarantee please contact your dealer.

De-commissioning the bead breaker

Should the bead breaker become completely unserviceable and require disposal, draw off the oil into an approved container and dispose of the jack and the oil according to local regulations.

5. TROUBLESHOOTING

Symptom	Possible Causes	Corrective Action
<ul style="list-style-type: none"> Claw or shovel erratic. 	<ul style="list-style-type: none"> External leakage. Binding sticking or components. 	<ul style="list-style-type: none"> Contact Sealey dealer for service. Clean and lubricate all moving parts.
<ul style="list-style-type: none"> System is pressurised but the bead breaker is not responding. 	<ul style="list-style-type: none"> Loose or faulty hydraulic connections/couplers. Oil level in pump is low. Pump not operating. 	<ul style="list-style-type: none"> Depressurise Tighten/replace connections/couplers. Depressurise and fill the pump. Consult pump instruction manual.
<ul style="list-style-type: none"> Claw will not close or shovel will not fully extend or withdraw. 	<ul style="list-style-type: none"> Oil in pump is low. Sticking rams or binding components. 	<ul style="list-style-type: none"> Depressurise and fill the pump. Contact Sealey dealer for service.
<ul style="list-style-type: none"> Bead breaker will not maintain pressure. 	<ul style="list-style-type: none"> Pump malfunctioning. Seals leaking. 	<ul style="list-style-type: none"> Consult pump instruction manual. Contact Sealey dealer for service.
<ul style="list-style-type: none"> Oil leaking. 	<ul style="list-style-type: none"> Worn seals. 	<ul style="list-style-type: none"> Contact Sealey dealer for service.
<ul style="list-style-type: none"> Bead breaker will not open and/or shovel stuck or slower than normal. 	<ul style="list-style-type: none"> Faulty coupler. Pump reservoir over filled. Internal damage. Linkage binding. 	<ul style="list-style-type: none"> Depressurise Tighten/replace connections/couplers. Depressurise and drain fluid to correct level. Contact Sealey dealer for service. Clean and lubricate all moving parts.



NOTE: It is our policy to continually improve products and as such we reserve the right to alter data, specifications and component parts without prior notice.

IMPORTANT: No liability is accepted for incorrect use of this product. **WARRANTY:** Guarantee is 12 months from purchase date, proof of which will be required for any claim.

INFORMATION: For a copy of our latest catalogue and promotions call us on 01284 757525 and leave your full name and address, including postcode.

SEALEY Professional
TOOLS
AUTO SERVICE LINE

Sole U.K. Distributor
Sealey Group
Bury St. Edmunds
Suffolk.



01284 757500

01284 703534



www.sealey.co.uk



sales@sealey.co.uk