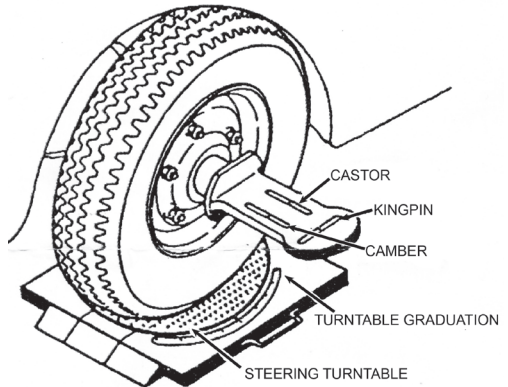


Thank you for purchasing a Sealey product. Manufactured to a high standard this product will, if used according to these instructions and properly maintained, give you years of trouble free performance.

! IMPORTANT: PLEASE READ THESE INSTRUCTIONS CAREFULLY, NOTE THE SAFE OPERATIONAL REQUIREMENTS, WARNINGS & CAUTIONS. USE THE PRODUCT CORRECTLY AND WITH CARE FOR THE PURPOSE FOR WHICH IT IS INTENDED. FAILURE TO DO SO MAY CAUSE DAMAGE OR PERSONAL INJURY, AND WILL INVALIDATE THE WARRANTY. PLEASE KEEP INSTRUCTIONS SAFE FOR FUTURE USE.

1. SAFETY INSTRUCTIONS

- WARNING!** Ensure Health & Safety, local authority, and general workshop practice regulations are adhered to when using this equipment.
- ✓ Maintain the gauge in good condition (use an authorised service agent).
- ✓ Replace or repair damaged parts.
- WARNING!** Use the gauge on level and solid ground.
- x **DO NOT** allow untrained persons to use the gauge.
- WARNING!** When setting front-end alignment on commercial vehicles never make adjustments to drop arms or interconnecting links. Doing so could result in serious tyre, wheel and steering problems.
- ✓ Any alignment changes deemed necessary as a result of using this equipment must be made strictly in accordance with the vehicle manufacturer's recommendations.
- WARNING!** The warnings, cautions and instructions referred to in this manual cannot cover all possible conditions and situations that may occur. It must be understood that common sense and caution are factors which cannot be built into this product, but must be applied by the operator.



2. INTRODUCTION & SPECIFICATION

Robust magnetic gauge mounts onto wheel/hub for quick accurate measurement of camber, castor angle, and kingpin inclination. Camber gauge with fixed graduation from +5 to -5. Adjustable caster gauge graduated +11 to -3. Kingpin gauge graduated from 0 to 14 left to right. Only suitable for vehicles fitted with steel wheels. To be used in conjunction with steering turntables and rear wheel level plates. Supplied in tough composite carry-case.

Camber Gauge Graduation:+5° to -5°
 Castor Gauge Graduation:+11° to -3°
 King Pin Gauge Graduation:.....0 to 14
 Magnetic Plate Ø:.....85mm

3. MEASURING CAMBER ANGLE

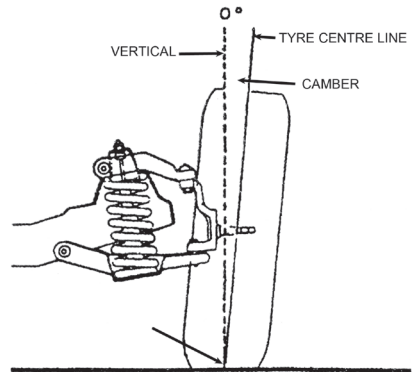
NOTE! Before use remove magnet protective plate.
Replace after use.

- 3.1 Drive vehicle forwards to centralise wheels.
- 3.2 Fit gauge in centre of vehicle wheel/hub.
- 3.3 Set D bubble to centre and read the position of A bubble.

NOTE! Refer to the owner's handbook before making any adjustments.

NOTE! Any adjustments you make to either castor or camber angles may affect the other, so re-check all measurements after any adjustments have been made.

NOTE! Try to simulate normal running conditions, i.e. half a tank of fuel and a weight similar to the driver in the front seat.

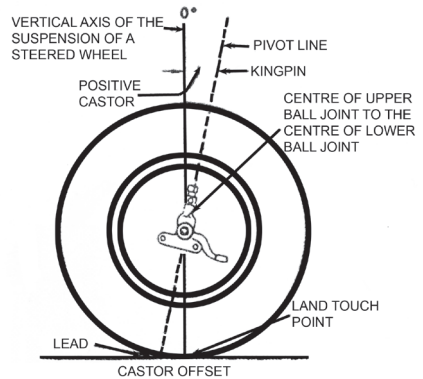


4. MEASURING CASTOR ANGLE

- 4.1 Drive vehicle forward so front wheels are positioned on steering turntables in the straight ahead position, rear wheels on level plates.
- 4.2 Turn the front wheel to 20° out.
- 4.3 Fit gauge in centre of wheel/hub and set D bubble to centre.
- 4.4 Set B bubble to 0 with adjusting screw and turn the front wheel to 20° in.
- 4.5 Set D bubble to centre again and read the scale of B bubble.

NOTE! Refer to the owner's handbook before making any adjustments.

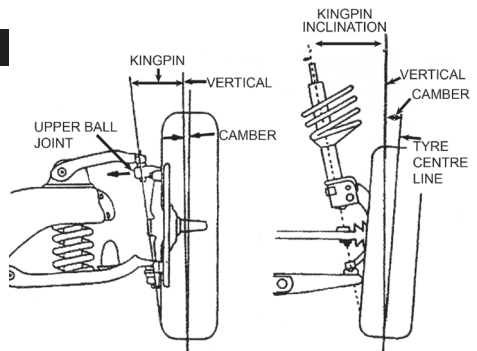
NOTE! Any adjustments you make to either castor or camber angles may affect the other, so re-check all measurements after any adjustments have been made. We recommend the use of turntables Model No. GA44 when checking the caster as this will enable you to accurately set the wheels at 20°



5. MEASURING KINGPIN INCLINATION

- 5.1 Drive vehicle forward so front wheels are positioned on steering turntables in the straight ahead position, rear wheels on level plates.
- 5.2 Turn the front wheel to 20° out.
- 5.3 Fit gauge in centre of wheel/hub and set D bubble to centre.
- 5.4 Set C bubble to 0 with adjusting screw and turn the front wheel to 20° in.
- 5.5 Read scale of C bubble.

NOTE! Refer to the owner's handbook before making any adjustments.



NOTE: It is our policy to continually improve products and as such we reserve the right to alter data, specifications and component parts without prior notice.

IMPORTANT: No liability is accepted for incorrect use of this product.

WARRANTY: Guarantee is 12 months from purchase date, proof of which will be required for any claim.

INFORMATION: For a copy of our catalogue and latest promotions call us on 01284 757525 and leave your full name, address and postcode.



Sole UK Distributor
Sealey Group,
Bury St. Edmunds, Suffolk.

01284 757500
01284 703534



www.sealey.co.uk
sales@sealey.co.uk