

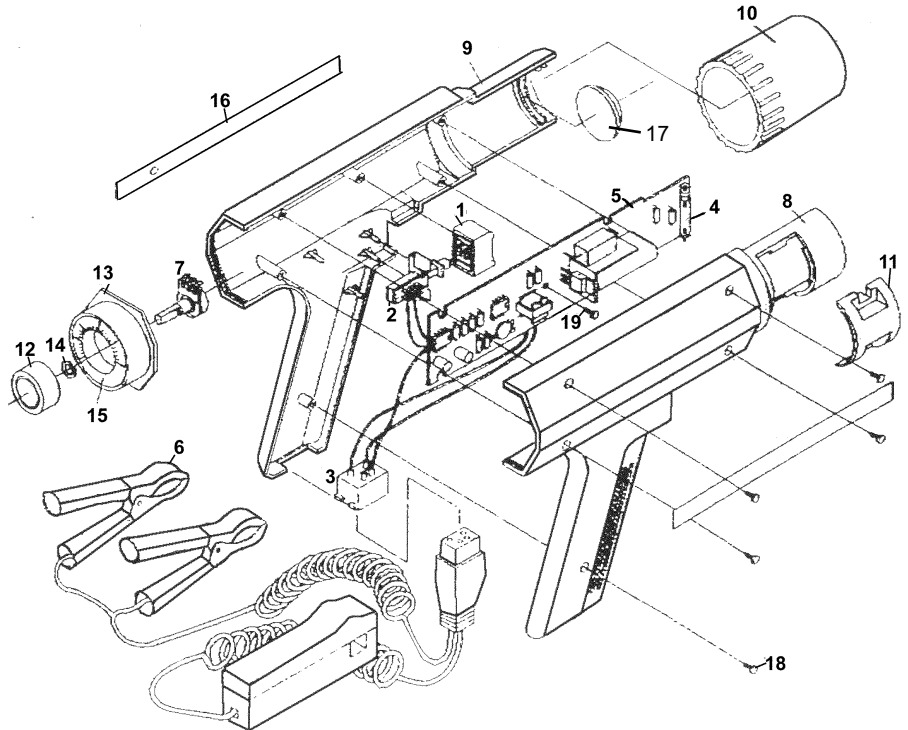
TL 84 TIMING LIGHT

Item	Part No	Description
1	TL80-81/07	Push button
2	TL80-81/08	Switch (2 position)
3	TL80-81/09	Socket
4	TL80-81/B2	Xenon flash tube
5	TL80/03	Circuit card
6	TL80/L	Leads c/w connectors TL80/81
7	TL84/07	Panel, back
8	TL84/08	Panel, left
9	TL84/09	Panel, right
10	TL85/01	Housing, right
11	TL85/02	Housing, left
12	TL85/03	Cap, rubber
13	TL85/04	Cover, flash tube
14	TL85/05	Lens
15	TL85/08	Cover, rear
16	TL85/18	Screw
17	TL85/19	Screw

Issue No. 2
 Date: 28/10/03

TL85 TIMING LIGHT

Item	Part No	Description
1	TL80-81/07	Push button
2	TL80-81/08	Switch (2 position)
3	TL80-81/09	Socket
4	TL80-81/B2	Xenon flash tube
5	TL80/03	Circuit card
6	TL80/L	Leads c/w connectors TL80/81
7	TL81/14	Variable Resistor
8	TL85/01	Housing, right
9	TL85/02	Housing, left
10	TL85/03	Cap, rubber
11	TL85/04	Cover, flash tube
12	TL85/06	Knob, plastic (so)
13	TL85/08	Cover, rear
14	TL85/07	Nut
15	TL85/09	Panel, rear
16	TL85/11	Panel, left
17	TL85/05	Lens
18	TL85/18	Screw
19	TL85/19	Screw



NOTE: It is our policy to continually improve products and as such we reserve the right to alter data, specifications and component parts without prior notice.

IMPORTANT: No liability is accepted for incorrect use of product. **WARRANTY:** Guarantee is 12 months from purchase date, proof of which will be required for any claim. **INFORMATION:** Call us for a copy of our latest catalogue on 01284 757525 and leave your full name and address including your postcode.