



INSTRUCTIONS FOR:
2000KG PALLET TRUCK WITH SCALES
 Model: **PT1150SC.V2**

Thank you for purchasing a Sealey product. Manufactured to a high standard this product will, if used according to these instructions and properly maintained, give you years of trouble free performance.

IMPORTANT: PLEASE READ THESE INSTRUCTIONS CAREFULLY. NOTE THE SAFE OPERATIONAL REQUIREMENTS, WARNINGS & CAUTIONS. USE THE PRODUCT CORRECTLY AND WITH CARE FOR THE PURPOSE FOR WHICH IT IS INTENDED. FAILURE TO DO SO MAY CAUSE DAMAGE AND/OR PERSONAL INJURY AND WILL INVALIDATE THE WARRANTY. PLEASE KEEP INSTRUCTIONS SAFE FOR FUTURE USE.

1. SAFETY INSTRUCTIONS

- X Do not use a faulty or damaged truck.
- X Do not adapt or modify the truck.
- ✓ Before using the truck all parts and working mechanisms should be checked for wear or damage. Pay particular attention to the wheels, handle and fork lifting and lowering mechanism. Any parts found to be worn, damaged or suspect should be repaired or replaced before the truck is used.
- ✓ All repairs must be carried out by an authorised Sealey service agent.
- ✓ Personnel who operate the truck and those in the vicinity of operation should wear safety shoes with reinforced toe caps at all times.
- X Never place any part of your body in the lifting mechanism or under the forks or load.
- X Do not allow others to ride on the truck.
- X Do not lift or move unstable or loosely stacked loads.
- ✓ Take special care when moving long, high or wide loads in order not to dislodge the load by striking any architectural features, permanent fixtures, vehicles or people in the area of operation.
- ✓ Always ensure that the load is evenly distributed across the forks with the centre of the load being at the halfway point of the length of the forks.
- X Do not overload the truck - refer to the specification for maximum permitted load.
- ✓ If a load is left unattended even for a very short period of time it should be lowered to the ground.
- ✓ When not in use the truck should be left in the lowered position.
- ✓ Ensure that the width and length of the forks is correct for the pallet to be lifted.
- ✓ Ensure that the truck is sufficiently inserted into the pallet to lift the full width and depth of the pallet.
- X Do not use truck on sloping or uneven ground and do not attempt to negotiate curbs, steps or ramps. Use the truck on level, flat, hard surfaces.
- ✓ The operator of the truck must be physically capable of controlling the load selected; particularly in relation to stopping a rolling load.
- X Do not use the truck in areas of low lighting (minimum 50 lux or less).

2. INTRODUCTION & SPECIFICATION

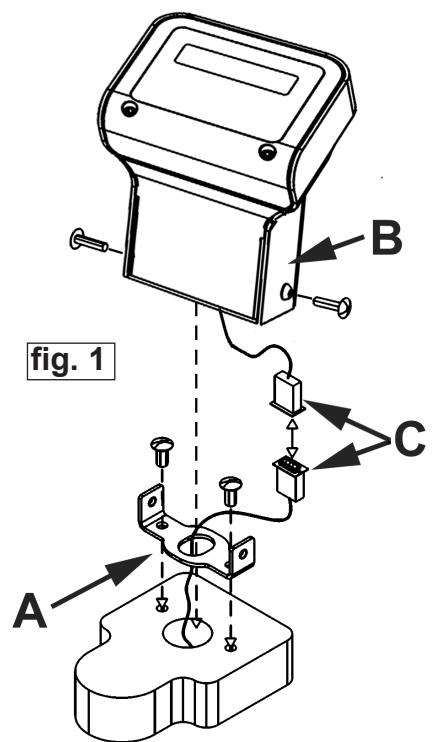
Introduction.
 Heavy-duty pallet truck suitable for warehouse and general handling duties. Features built-in weighing scales with an accuracy of +/-1kg. Six-digit, high contrast LCD display. Control panel has a Tare function to make an allowance for packaging weight. Scales powered by four AA batteries allowing up to 70 hours of use. Automatic sleep mode ensures battery life is prolonged when not in use. Ergonomic handle for comfortable operation.

Specification.

Model No	PT1150SC
Capacity	2000kg
Power source	4 x AA cells
Environment	General purpose, dry
Operating temperature	-10°C to 40°C (14°F to 104°F)
Min/Max fork height	88/200mm
Fork Spread	200mm
Width	570mm
Fork length	1150mm
Display	Six-digit LCD
Weighing Units	Pounds, Kilograms

3. ASSEMBLY

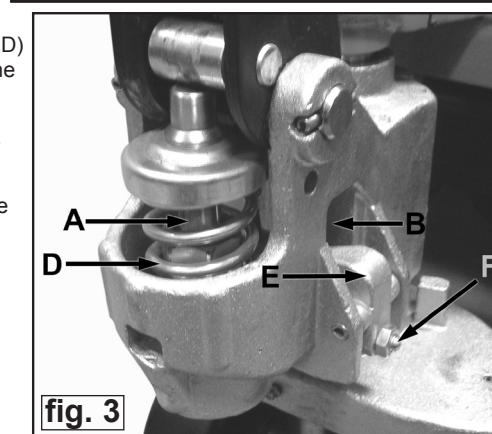
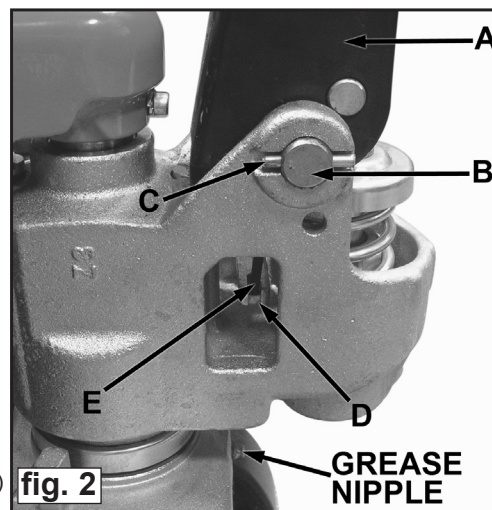
- 3.1 Attaching the Console to the Pallet Truck**
- 3.1.1 Firstly remove the bracket (fig.1A) to get to the connector.
 - 3.1.2 Connect the two 9-pin sub D connectors together (fig.1C).
 - 3.1.3 Replace the bracket to secure the connectors in place, making sure that the connectors are through the centre of the bracket and held inside the main body of the console.
 - 3.1.4 Lower the main console (fig.1.B) onto the bracket and fix with two Allen bolts.



4. OPERATING HANDLE ATTACHMENT

- 4.1 Connect the operating handle to the hydraulic pump body using the pivot pin (fig.2B) with a hole in the centre. Insert from left to right.
- 4.2 Align the pivot hole on the base of the handle with the pivot holes on the main casting.
- 4.3 Insert the pivot shaft (using a soft hammer) insuring that the holes in either end of the shaft (fig.2B) are aligned with the grooves on the outer sides of the main casting (fig.2C).
- 4.4 When the shaft is properly aligned drive a roll pin through either end of the shaft.

- 4.5 Using thin nosed pliers, pass the end of the chain and with adjusting nut through the hole in the centre of the pivot shaft.
- 4.6 Put the handle (fig.4) into its lowest position (**RAISE**).
- 4.7 Lift the actuating lever (fig.3E) against its spring pressure and slide the adjusting bolt underneath so the chain (fig.2E) rests in between the forks.



5. OPERATING HANDLE ADJUSTMENT

5.1 The operating handle control lever can be set to one of three positions, as shown in fig.4. They are:

- 5.1.1 **RAISE:** Control lever in the DOWN position.
- 5.1.2 **DRIVE:** Control level in the CENTRAL position.
- 5.1.3 **LOWER:** Control lever in the UP position.

5.2 If the above positions have been altered, they can be restored by carrying out the following adjustments.

- 5.2.1 If the forks rise whilst pumping in the **DRIVE** position, turn the adjusting nut (fig.2D) on the adjusting bolt (fig.2E) or the screw (fig.3F) **clockwise**, until the pumping action does not raise the forks and the **DRIVE** position functions normally.
- 5.2.2 If the forks lower whilst pumping in the **DRIVE** position, turn the adjusting nut (fig.2D) or the screw (fig.3F) **counterclockwise**, until the pumping action does not lower the forks.
- 5.2.3 If the forks do not lower when the control lever is in the **LOWER** position, turn the adjusting nut (fig.2D) or the screw (fig.3F) **clockwise**, until raising the control lever lowers the forks.

NOTE: Check the **DRIVE** position again by repeating paragraphs 5.2.1 and 5.2.2 to ensure that the adjusting nut (fig.2D) and the screw (fig.3F) are still in the correct position.

- 5.2.4 If the forks do not rise when pumping in the **RAISE** position, turn the adjusting nut (fig.2D) or the screw (fig.3F) **counterclockwise** until the forks rise.

NOTE: Check the **LOWER** and **DRIVE** positions again from paragraphs 5.2.1 to 5.2.3 to ensure that the **LOWER** and **DRIVE** positions are functioning correctly.

6. OPERATION

6.1 Operating the Pallet Truck

WARNING! An operator must be fully conversant with the safety instructions in Section 1.

- 6.1.1 Prior to operating the pallet truck, check the wheels, the operating handle and the fork unit to ensure they are fit for purpose.
- 6.1.2 Move the truck with the operating handle control lever in the **DRIVE** position, as this makes the operating handle easier to move and also depressurises the hydraulic pump. **DO NOT** overload the pallet truck.
- 6.1.3 Ensure that the goods being transported are placed on the middle of the pallet truck forks. Refer to fig.5. Depress the power ON switch on the right-hand side of the console.

6.2 Measuring Gross Weight

- 6.2.1 Set the operating handle control lever to the **LOWER** position and lower the pallet truck.
- 6.2.2 Place the pallet forks under the load to be weighed. Ensure that the load is correctly balanced. Refer to fig.5.
- 6.2.3 Set the operating handle control lever to the **RAISE** position and pump the operating handle. Ensure that the pallet is clear of the floor.

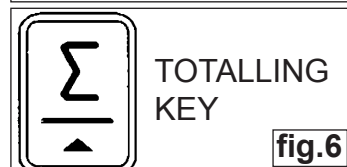
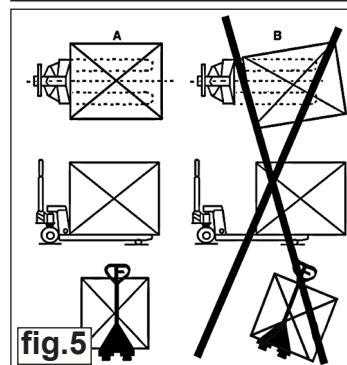
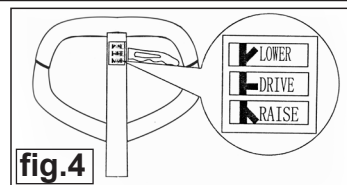
NOTE: The reading indicated on the console is the gross weight, i.e. the weight of the goods and the pallet.

6.3 Measuring Net Weight

NOTE: This method is used for goods packed on a standard pallet.

- 6.3.1 With an empty pallet on the forks, pump the operating handle with the control level in the **RAISE** position until the pallet is clear of the ground, press the "TARE" key refer to fig.7. The console will then display **0kg**.
- 6.3.2 If you were to remove the pallet from the pallet truck forks. The console will then display minus the weight of the pallet, (e.g. -20kg)
- 6.3.3 Add items to the pallet to see the weight then depress the "TARE" key (fig.7). Add another item observe the weight and repeat until the pallet is full, press and hold the totalling key (fig.6) for 3 seconds to reveal the amount of items weighed and their combined weight excluding the pallet.

NOTE: To switch measurement between kilograms and pounds, depress the "FUNCTION" key (fig.8).



7. MAINTENANCE

7.1 Daily Maintenance Check

- 7.1.1 Check the state of the wheels and the axles since thread, rags and other foreign objects can jam the wheels making safe, effective operation difficult.
- 7.1.2 On completion of each task, unload the forks and return them to the lowest position.

7.2 Oil Check

7.2.1 Check the oil level at six monthly intervals. Sealey hydraulic jack oil is used with the pallet truck. The viscosity of the oil should be 30cSt at 40°C. The amount used in the pallet truck is approximately 0.4 litres.

7.3 Lubrication

7.3.1 The bearings and shafts of the pallet truck have long-life grease applied to them during manufacture. The bearings will only require greasing at monthly intervals or after the pallet truck had been serviced down to the lubrication points.

7.4 Purging Air from the Hydraulics

7.4.1 Air can get into the hydraulic oil through transportation, or the pump becoming misaligned. As a result, the forks will not elevate.

7.4.2 The air can be purged by setting the control level to the **LOWER** position and pumping the operating handle up and down for 30 - 40 seconds.

7.4.3 When the pallet truck is not in use, lower the forks and park the truck where it will not be a hazard.

7.5 Battery Replacement

7.5.1 To insert batteries, first remove the back cover at the rear of the console display unit.

7.5.2 Insert 4XAA cells making sure that they are correctly placed in the display unit.

7.5.3 Replace the cover on the display unit

8. TROUBLESHOOTING

8.1 Troubleshooting on the pallet truck.

Problem	Cause	Solution
The forks cannot be raised to their maximum height,	- Their is insufficient oil in the reservoir.	- Replenish the oil to the correct level.
The forks cannot be raised.	- No hydraulic oil or impurities or air in the oil. - The adjusting nut (fig.2D) is too high keeping the pumping valve open. - Air has entered the hydraulic system.	- Replenish or change the oil. - Reset the adjusting nut or bolt (fig.2E). - Purge the air from the hydraulic system.
The forks cannot be lowered	- The piston rod (fig.2A) or the pump is deformed. - Forks have been kept in the rise position resulting in the rod jamming. - The adjusting nut or bolt is incorrectly positioned.	- Replace the piston rod or pump. - Keep the forks in the lowest position when not in use. - Adjust the nut or bolt.
The forks lower without the release valve operating.	- Impurities, or air, has got into the release valve oil. - Parts of the hydraulic system have been damaged. - Adjusting nut (fig.2D) or bolt (fig.3F) incorrectly positioned.	- Replace the oil and/or purge the air from valve. - Inspect and replace the damaged parts. - Adjust the nut (fig.2D) or screw (fig.3F).

8.2 Fault-finding on the weighing unit.

Problem	Cause	Solution
HELP1 on display	- The load is too heavy for the scale.	- Remove the load immediately
Scale is not accurate	- The fork shoe is touching the bottom part of the scale. - Cable in junction box is loose. - One of the load cells is broken.	- Remove anything that restricts movement of the scale. - Check the connection in the junction box and confirm it is secure. - Apply weight to all four corners of the scale and the load cell with the different weight should be replaced.
Display won't turn on.	- Battery voltage is too low. - Battery life is complete.	- Change the batteries. - Change the batteries.

9. DECLARATION OF CONFORMITY

Declaration of Conformity We, the sole importer into the UK, declare that the product listed is in conformity with the following standards and directives.

2000kg Pallet Truck with Scales
Model: PT1150SC.V2

2006/42/EC Machinery Directive
93/68/EEC CE Marking Directive
2006/95/EC Low Voltage Directive
2002/95/EC RoHS Directive
2002/96/EC WEEE Directive



The construction file for this product is held by the Manufacturer and may be inspected, by a national authority, upon request to Jack Sealey Ltd.

Signed by Mark Sweetman

21st November 2007

For Jack Sealey Ltd. Sole importer into the UK of Sealey Quality Machinery.

NOTE: It is our policy to continually improve products and as such we reserve the right to alter data, specifications and component parts without prior notice.

IMPORTANT: No liability is accepted for incorrect use of this equipment

WARRANTY: Guarantee is 12 months from purchase date, proof of which will be required for any claim.

INFORMATION: For copy of our latest catalogue & promotions, call on 01284 757525 and leave your full name and address, including postcode.



Sole UK Distributor
Sealey Group,

Bury St. Edmunds, Suffolk.



01284 703534



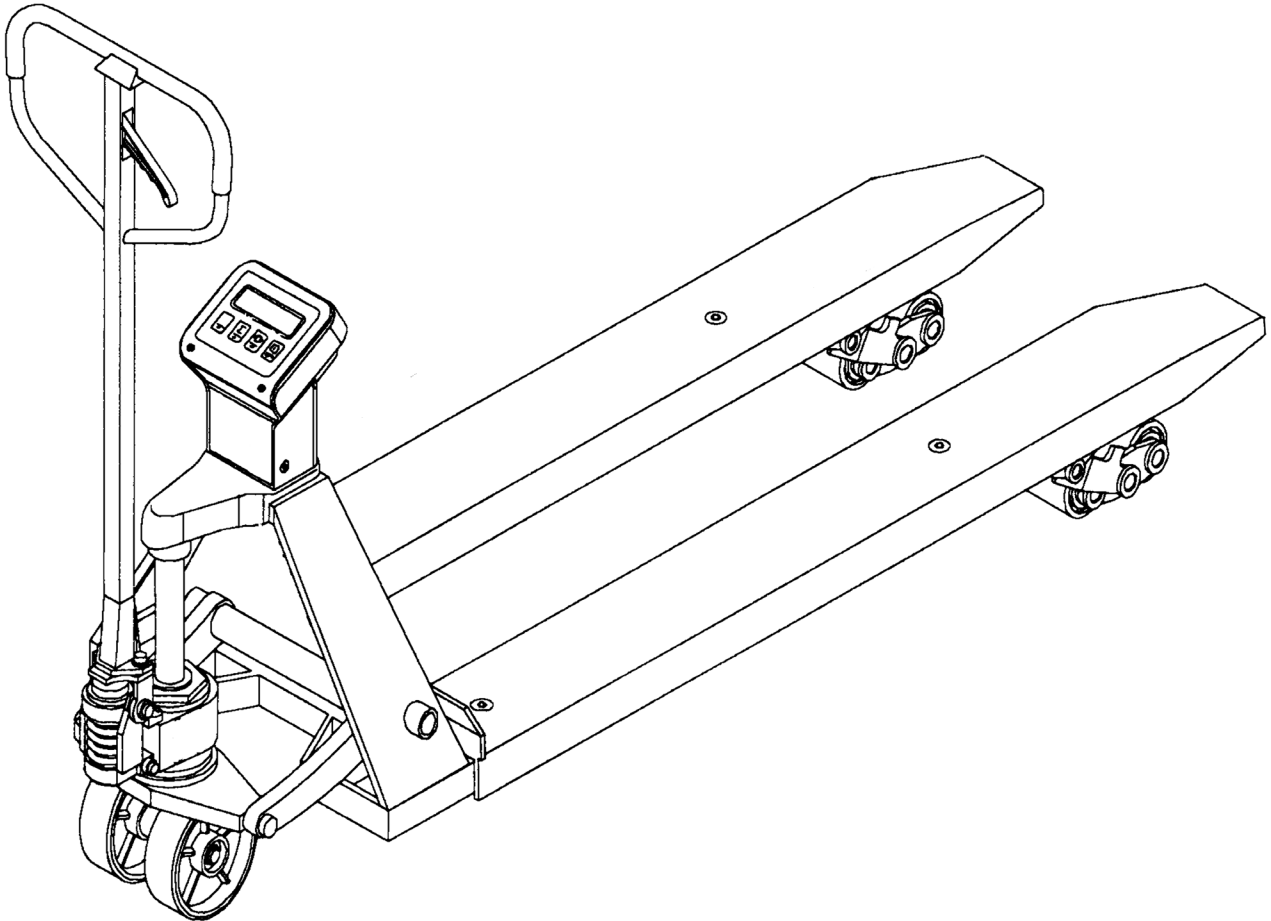
www.sealey.co.uk



01284 757500



sales@sealey.co.uk



Parts support is available for this product. To obtain a parts listing and/or diagram, please log on to www.sealey.co.uk, email sales@sealey.co.uk or phone 01284 757500.