

Thank you for purchasing a Sealey product. Manufactured to a high standard this product will, if used according to these instructions and properly maintained, give you years of trouble free performance.

IMPORTANT: PLEASE READ THESE INSTRUCTIONS CAREFULLY. NOTE THE SAFE OPERATIONAL REQUIREMENTS, WARNINGS AND CAUTIONS. USE THE PRODUCT CORRECTLY AND WITH CARE FOR THE PURPOSE FOR WHICH IT IS INTENDED. FAILURE TO DO SO MAY CAUSE DAMAGE AND/OR PERSONAL INJURY AND WILL INVALIDATE THE WARRANTY. PLEASE KEEP INSTRUCTIONS SAFE FOR FUTURE USE.

1. SAFETY INSTRUCTIONS

1.1. ELECTRICAL SAFETY

WARNING! It is the responsibility of the owner and the operator to read, understand and comply with the following:

You must check all electrical products, before use, to ensure that they are safe. You must inspect power cables, plugs, sockets and any other connectors for wear or damage. You must ensure that the risk of electric shock is minimised by the installation of appropriate safety devices. A Residual Current Circuit Breaker (RCCB) should be incorporated in the main distribution board. We also recommend that a Residual Current Device (RCD) is used. It is particularly important to use an RCD with portable products that are plugged into a supply which is not protected by an RCCB. If in any doubt consult a qualified electrician. You may obtain a Residual Current Device by contacting your Sealey dealer.

You must also read and understand the following instructions concerning electrical safety.

1.1.1. The **Electricity at Work Act 1989** requires all portable electrical appliances, if used on business premises, to be tested by a qualified electrician, using a Portable Appliance Tester (PAT), at least once a year.

1.1.2. The **Health & Safety at Work Act 1974** makes owners of electrical appliances responsible for the safe condition of those appliances and the safety of the appliance operators. **If in any doubt about electrical safety, contact a qualified electrician.**

1.1.3. Ensure that the insulation on all cables and on the appliance is safe before connecting it to the power supply. See 1.1.1. and 1.1.2. and use a Portable Appliance Tester.

1.1.4. Ensure that cables are always protected against short circuit and overload.

1.1.5. Regularly inspect power supply cables and plugs for wear or damage and check all connections to ensure that none are loose.

1.1.6. **Important:** Ensure that the voltage marked on the appliance matches the power supply to be used and that the plug is fitted with the correct fuse - see fuse rating at right.

1.1.7. **DO NOT** pull or carry the appliance by the power cable.

1.1.8. **DO NOT** pull the plug from the socket by the cable.


1.1.9. **DO NOT** use worn or damaged cables, plugs or connectors. Immediately have any faulty item repaired or replaced by a qualified electrician. When an ASTA/BS approved UK 3 pin plug is damaged, cut the cable just above the plug and **dispose of the plug safely**. Fit a new plug according to the following instructions (UK only).

a) Connect the **GREEN/YELLOW earth wire to the earth terminal 'E'**.

b) Connect the **BROWN live wire to the live terminal 'L'**.

c) Connect the **BLUE neutral wire to the neutral terminal 'N'**.

d) **After wiring, check that there are no bare wires, that all wires have been correctly connected, that the cable outer insulation extends beyond the cable restraint and that the restraint is tight.**

Double insulated products, which are always marked with this symbol , are fitted with live (brown) and neutral (blue) wires only. To rewire, connect the wires as indicated above - **DO NOT** connect either wire to the earth terminal.

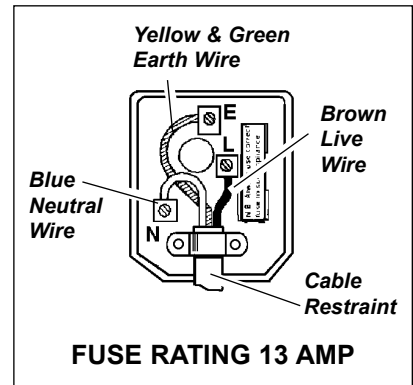
1.1.10. If an extension reel is used it should be fully unwound before connection. A reel with an RCD fitted is preferred since any appliance plugged into it will be protected. The cable core section is important and should be at least 1.5mm², but to be absolutely sure that the capacity of the reel is suitable for this product and for others which may be used in the other output sockets, we recommend the use of 2.5mm² section cable.

1.2. GENERAL SAFETY INSTRUCTIONS

WARNING! If a fuse blows, ensure it is replaced with a fuse of identical type and rating.

WARNING! Ensure there is nobody in front of the lamp when it is switched on.

- ✓ Disconnect the panel dryer from the power supply before servicing, changing accessories, or performing any maintenance.
- ✓ Ensure that the panel dryer is in good condition before use. If in any doubt do not use the unit and contact an electrician.
- ✓ When not in use, store the panel dryer carefully in a safe, dry, childproof location.
- ✓ Familiarise yourself with the application and limitations of the panel dryer.
- ✓ Check that lamp guards are in place, undamaged and firmly attached.
- ✓ Keep tools and other items away from the panel dryer when it is in use.
- ✓ Keep the work area clean and clear of unnecessary items.
- ✓ Keep children and unauthorised persons away from the work area.
- ✓ Remember that the lamp panel will get hot, allow to cool after use.
- ✓ Maintain the panel dryer in good condition. Use authorised agent for servicing.
- ✓ Keep the dryer clean, but **DO NOT** use solvents.
- ✓ Use only genuine parts and accessories. *Unauthorised parts and accessories may be dangerous and will invalidate your warranty.*
- x **DO NOT** use this product to perform a task for which it has not been designed.
- x **DO NOT** use the panel dryer outdoors, or in damp, or wet locations, and **DO NOT** operate within the vicinity of flammable liquids, gases or solids.



2. INTRODUCTION

The IR1000 has been designed and developed to assist with any number of small drying processes, and is ideal for spot repairs, engine drying, adhesive stripe removal, drying filler, primer or just preheating prior to spraying.

It may be used as a stand alone system, when fitted to the slide and lock bracket on the separately available lightweight stand IR1000ST, or as a source of instant direct heat, when used as a handheld. Fitted with a powerful 1kW short wave infrared lamp - instant heat can be directed wherever and whenever it may be required.

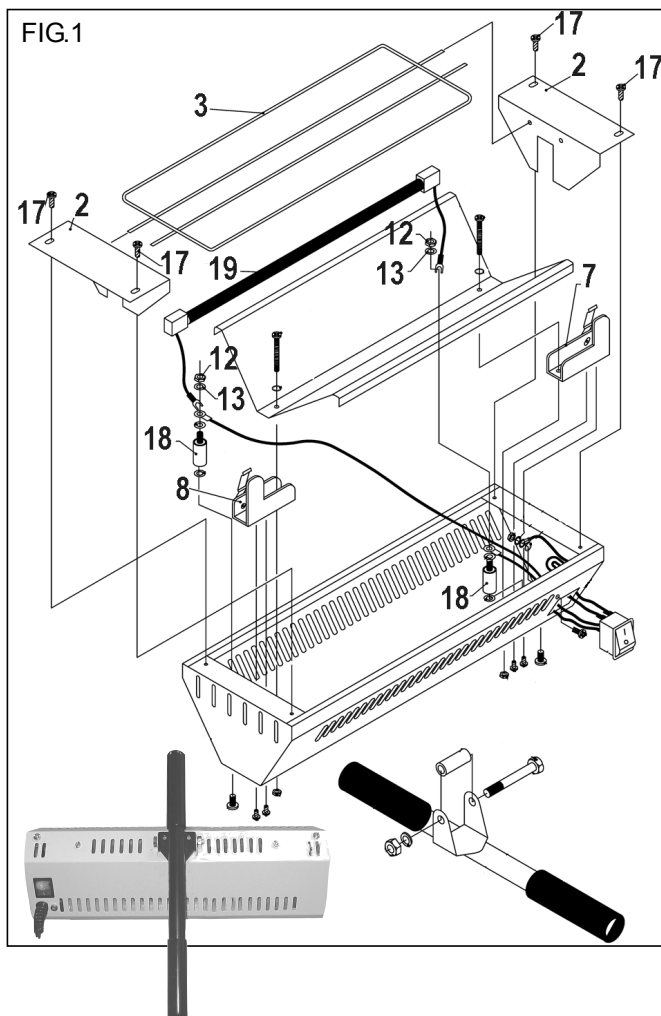
3. ASSEMBLY

3.1. Fit The Handle (FIG.1).

- 3.1.1. The IR1000 has been packed with a separate handle and lamp ready for attachment and fitting to the heater. Please leave the lamp in transit packing until ready to fit.
- 3.1.2. The handle should be attached to the main unit by means of the bolt supplied, ensuring the spacer provided is fitted between the two fixing posts of the heater. Please ensure the washer is fitted under the nut, then fully tighten to secure.
- 3.1.3. When fitted, the pre-made hole in the grip of the handle should be at the bottom of the heater. If correct you will be able to tilt the body of the heater in a downward direction only.

3.2. Fit The Lamp (FIG.1).

- 3.2.1. Remove the two screws (17) from one end reflector (2), this will release the guard (3) and expose one of the lamp terminal end posts (18).
- 3.2.2. Now remove the other end reflector (2) exposing the other lamp terminal (18).
- 3.2.3. Release the nuts (12) on the exposed terminal end posts just enough to allow the fork terminals of the lamp leads to be pushed under the washers (13).
- 3.2.4. Carefully remove the lamp (19) from its packing, holding it by the porcelain end caps only, taking care not to handle the quartz glass.
- 3.2.5. Carefully insert the end caps of the lamp under the spring retaining clips (7 & 8) of the heater. The fork terminals on each end of the lamp should now be inserted under the washer (13) of the lamp end posts and nuts (12) tightened to make a good connection.
- 3.2.6. The lamp leads should then be tucked away around the space at each end of the heater.
- 3.2.7. Now replace the end reflectors (2) and guard (3) to complete the assembly.



4. OPERATION

Note: The IR lamp is fragile and therefore it is important that the IR1000 is not subjected to any unnecessary shocks or vibration and is not moved when the lamp is on.

WARNING! Ensure that you read, understand and apply the safety instructions in Section 1 before using the panel dryer.

- 4.1. Allow a 4 - 5 minute 'flash-off' period for excess solvent to evaporate before close positioning of dryer to panel - solvent boil or popping may occur if the panel temperature is raised too rapidly. Remove, or otherwise protect, any trim items on, or adjacent to, the panel to prevent possible distortion.
- 4.2. Position the lamp approximately 500mm from the panel.
- 4.3. Paint-to-lamp distance and heating time are dependent on a number of factors including paint type and workshop conditions and are best based on experience. However rough guidelines are as follows:

Material	Drying Time	Distance
Polyester stopper	08 - 12mins	600 - 700mm
MS primer	15 - 18mins	500 - 600mm
Water-based filler paint	15 - 18mins	500 - 600mm
Finishing paint	18 - 25mins	400 - 500mm

- 4.4. **ON/OFF switch.** To switch the unit on operate the rocker switch on the underside of the unit. The 'O' symbol is the 'OFF' position and the 'I' symbol is the 'ON' position.
Important: Excessive drying time will burn the paint and may distort the panel.
- 4.5. When the heating period is over switch off at socket and then remove dryer plug.
- 4.6. Allow the dryer to cool before moving it to a safe, dry, childproof storage area.

5. DECLARATION OF CONFORMITY

Declaration of Conformity We, the sole UK importer, declare that the product listed below is in conformity with the following standards and directives.

SHORT WAVE INFRARED PANEL DRYER.

Model: IR1000

73/23/EEC LV Directive
89/336/EEC EMC Directive
93/68/EEC CE Marking Directive



The construction file for this product is held by the Manufacturer and may be inspected, by a national authority, upon request to Jack Sealey Ltd.

Signed by Tim Thompson

27th April 2006

For Jack Sealey Ltd. Sole UK importer of Sealey Power Products.

NOTE: It is our policy to continually improve products and as such we reserve the right to alter data, specifications and component parts without prior notice.

IMPORTANT: No liability is accepted for incorrect use of this equipment.

WARRANTY: Guarantee is 12 months from purchase date, proof of which will be required for any claim.

INFORMATION: For a copy of our latest catalogue and promotions call us on 01284 757525 and leave your full name and address, including postcode.



Sole UK Distributor
Sealey Group,
Bury St. Edmunds, Suffolk.

01284 757500
01284 703534

www.sealey.co.uk
sales@sealey.co.uk