



INSTRUCTIONS FOR:

# 50TON BOTTLE JACK

MODEL: **SJ50**

Thank you for purchasing a Sealey jack. Manufactured to a high standard this product will, if used according to these instructions and properly maintained, give you years of trouble free performance.



**IMPORTANT: READ THESE INSTRUCTIONS CAREFULLY. NOTE THE SAFE OPERATIONAL REQUIREMENTS, WARNINGS AND CAUTIONS. USE THIS JACK CORRECTLY AND WITH CARE FOR THE PURPOSE FOR WHICH IT IS INTENDED. FAILURE TO DO SO MAY CAUSE DAMAGE AND/OR PERSONAL INJURY AND WILL INVALIDATE THE WARRANTY. RETAIN THESE INSTRUCTIONS FOR FUTURE USE.**

## 1. SAFETY INSTRUCTIONS

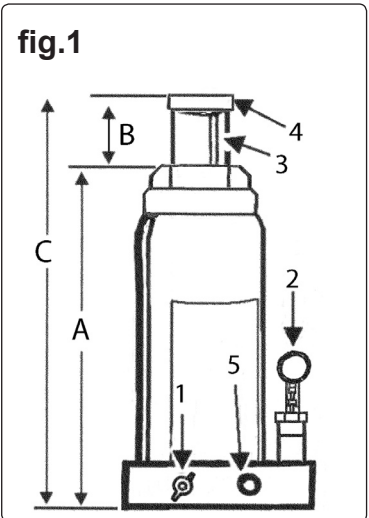
- ✓ Regularly inspect and lubricate the jack to ensure it is in good working order and condition. **DO NOT** use the jack if damaged or a fault is suspected - check Section 5 Troubleshooting. If necessary, immediately repair or replace damaged parts.
- ✓ Use recommended parts only, the use of unauthorised parts may be dangerous and will invalidate your warranty.
- ✓ Ensure the work area is clean, tidy and free from unrelated materials and has adequate lighting.
- ✓ Use jack on level and solid ground, preferably concrete. *Avoid tarmac since the jack may sink in.*
- ✓ Park the vehicle and apply hand brake (if automatic, place in "Park" mode). Switch off the engine and place chocks under the wheels.
- ✓ Ensure a minimum distance of 0.5m between vehicle and static objects such as doors, walls, etc. to allow for vehicle tilting during jacking.
- ✓ Ensure all persons are out of the vehicle before jacking. **DO NOT** enter vehicle whilst it is supported on the jack or axle stands.
- ✓ Check vehicle weight and recommended lifting points by referring to the vehicle owner's manual. Ensure the lifting point is not corroded.
- ✓ Check lifting point is centred and stable on jack saddle (off centre loads can slip). Position jack so as to avoid operating it from under vehicle.
- ▲ **DANGER!** Use the jack for lifting only, NOT for supporting the lifted load, or to support extensions or cradles. ALWAYS USE ADEQUATELY RATED AXLE STANDS.
- ✓ Keep hands etc. clear of moving parts during raising and lowering of the vehicle.
- ▲ **DANGER!** Roadside wheel changing is hazardous. **Be extra vigilant**, you may not be able to avoid jacking on tarmac. Get everyone out of vehicle. NEVER go under vehicle. Traffic may cause vehicle to rock. Use hazard warning lights. If in doubt call professional help.
- ✓ When changing a wheel, slightly loosen wheel nuts/bolts prior to jacking vehicle. Screw wheel nuts/bolts on before lowering vehicle. Finally tighten them when vehicle is fully lowered.
- ✓ Only a qualified person should lubricate and maintain the jack. Only recommended hydraulic jack oil to be used during maintenance.
- x **DO NOT** exceed the rated capacity of the jack and **DO NOT** operate the jack beyond its maximum pump stroke.
- **WARNING! DO NOT** allow the vehicle to move, or try to start the engine, when the vehicle is jacked up.
- x **DO NOT** jack a vehicle if it may result in the spillage of fuel, battery acid, or other dangerous substances.
- x **DO NOT** place any part of your body under vehicle whilst it is supported by the jack. Wait until adequately rated axle stands have been correctly positioned.
- x **DO NOT** modify jack in any way.
- x **DO NOT** use the jack for any other purpose.
- x **DO NOT** adjust the safety overload valve (fig. 1.5).
- ✓ Ensure there are no persons or obstructions beneath the vehicle before lowering.
- ✓ Clean and securely stow the jack with the ram in the down position. **DO NOT** leave the ram extended. Ensure stowage area is dry.
- **WARNING! Remember, it is very dangerous to go under a vehicle supported by a jack even if additional supports are used. DO NOT go under a vehicle unless it is supported by adequately rated axle stands. NOTE:** Seek advice before jacking caravans or trailers.

## 2. INTRODUCTION & SPECIFICATIONS

Cast base with threaded components for easy disassembly. Fully tested and fitted with safety overload valve to comply with the latest CE regulations. Fitted with carrying handle. Full parts availability.

Model . . . . . **SJ50**  
 Capacity Tons: . . . . . 50  
 Minimum Height (A): . . . . . 300mm  
 Hydraulic Lift (B): . . . . . 180mm  
 Maximum Height (C): . . . . . 480mm  
 (Refer to fig.1)

1. Release Valve
2. Handle Sleeve
3. Ram
4. Saddle
5. Overload Valve  
(Do Not Adjust)



## 3. OPERATING INSTRUCTIONS

- **WARNING! Before lifting ensure Section 1 Safety Instructions are strictly followed.**
- 3.1. Before using the jack, purge the hydraulic system, in order to eliminate any air that may have accumulated during transit, as follows:
  - a) Fit jack handle over release valve (fig. 1.1) and turn anti-clockwise to open valve.
  - b) Insert jack handle into the handle sleeve (2) and pump several times to ensure full internal lubrication and to bleed air from the system.
  - c) Fit jack handle back over the release valve (1) and turn clockwise to close.
- 3.2. **Lifting**
  - **WARNING! Ensure you prepare vehicle and use jack according to Section 1 Safety Instructions.**
  - 3.2.1. Check that the ground upon which the jack will stand is level and solid.
  - 3.2.2. Position the jack saddle (4) under the vehicle manufacturer's recommended lifting point. Position jack so as to avoid having to operate it from under the vehicle and so that the handle can be moved up and down without fouling any part of the vehicle.
  - 3.2.3. Raise the saddle to the lifting point. Ensure that the saddle is correctly centred beneath the lifting point.
  - 3.2.4. Pump the handle up and down using full stroke until the required lift is achieved.
  - 3.2.5. Should the jack become overloaded, a safety overload valve will open, and stop the vehicle from lifting.
  - 3.2.6. Lower the vehicle onto suitable rated axle stands before attempting any work.

### 3.3. Lowering

- 3.3.1. Raise the vehicle so that the axle stands can be removed, then lower the vehicle making sure that there are no persons or obstacles beneath the vehicle, or in the path of its descent.
- 3.3.2. The lowering speed is controlled by the amount the release valve (1) is opened. Turn valve anti-clockwise and lower slowly and carefully.

## 4. MAINTENANCE

**IMPORTANT: Only fully qualified personnel should attempt maintenance or repair.**

- WARNING: DO NOT use brake fluid, or any fluid other than Sealey hydraulic jack fluid, as to do so may cause serious damage to the jack and will invalidate the warranty!**
- 4.1. When the jack is not in use, the ram and piston must be in their lowest positions to minimise corrosion. Remove the handle to inactivate jack.
- 4.2. Keep the jack clean and lubricate all moving parts with acid free oil on a regular basis.
- 4.3. To check oil level, fully lower the jack. Remove filler plug. The correct oil level is to the bottom of the filler opening.
- 4.4. After a year of extensive use, the oil should be replaced in order to extend the life of the jack. Drain the oil through the filler plug opening. Make sure that no dirt is allowed to enter the jack or the fresh oil.
- 4.5. To replace the oil, fill as required. Pump (unloaded jack) 5 or 6 times to expel air. Pump jack to full height and pour off excess oil before refitting plug.
- Note: Ensure waste oil is disposed of in accordance with local authority regulations.**
- 4.6. Before each use check for broken, cracked, bent, or loose parts. Also check for any visible damage to welds, ram, pump, body and base. If any suspect item is found remove jack from service and take the necessary action to remedy the problem.  
**DO NOT** use the jack if believed to have been subjected to abnormal load or shock. Inspect and take appropriate action.
- 4.7. Periodically check the pump piston and piston rod for signs of corrosion. Clean exposed areas with a clean oiled cloth.

**IMPORTANT: NO RESPONSIBILITY IS ACCEPTED FOR INCORRECT USE OF THE JACK.**

Hydraulic products are only repaired by local service agents. We have service/repair agents in all parts of the UK. **DO NOT RETURN JACKS TO US.** Please telephone 01284 757500 to obtain address and 'phone number of your local agent. If jack is under guarantee please contact your dealer.



**De-commissioning:** Draw off the oil into an approved container and dispose of the jack and the oil according to local regulations.

## 5. TROUBLESHOOTING

PROBLEM	POSSIBLE CAUSE	REMEDY
Jack will not lift the load	1) Overloaded 2) Oil level low 3) Release valve not correctly closed 4) Air in system 5) Packing worn or defective	1) Be sure to use jack with adequate capacity. 2) Top up oil level. 3) Check and close release valve. 4) Open release valve and air vent (if fitted) and pump the handle a few times. Close valve and re-try. 5) Return jack to local service agent.
Jack does not lift high enough or feels "spongy"	1) Oil level low 2) Worn seals 3) Air in system 4) Release valve not closed	1) Top up oil level. 2) Return jack to local service agent. 3) Open release valve and air vent (if fitted) and pump the handle a few times. Close valve and re-try. 4) Check and close release valve.
Jack lifts but will not hold load	1) Release valve partially open 2) Dirt on valve seats 3) Air in system 4) Faulty seals	1) Check and close release valve. 2) Lower jack, close release valve. Pull up lifting arm to full height by hand. Open the release valve to lower arm. 3) Open release valve and air vent (if fitted) and pump the handle a few times. Close valve and re-try. 4) Return jack to local service agent.
Jack will not lower completely	1) Ram damaged 2) Air in system 3) Release valve partially open	1) Contact local service agent. 2) Open release valve and air vent (if fitted) and pump the handle a few times. Close valve and re-try. 3) Check and fully open release valve.

## 6. DECLARATION OF CONFORMITY

**Declaration of Conformity** We, the sole importer into the UK, declare that the product listed below is in conformity with the following standards and directives.

<p><b>Yankee Bottle Jack</b> <b>Model: SJ50</b></p> <p>2006/42/EC Machinery Directive 93/68/EEC CE Marking Directive</p>	<p> The construction file for this product is held by the Manufacturer and may be inspected, by a national authority, upon request to Jack Sealey Ltd.</p> <p>Signed by Mark Sweetman  17th March 2009</p> <p><i>For Jack Sealey Ltd. Sole importer into the UK of Sealey Quality Machinery.</i></p>
--	---

**NOTE:** It is our policy to continually improve products and as such we reserve the right to alter data, specifications and component parts without prior notice.



**IMPORTANT:** No liability is accepted for incorrect use of this product.

**WARRANTY:** Guarantee is 12 months from purchase date, proof of which will be required for any claim.

**INFORMATION:** For a copy of our catalogue and latest promotions call us on 01284 757525 and leave your full name, address and postcode.



**Sole UK Distributor**  
**Sealey Group,**  
Bury St. Edmunds, Suffolk.

 01284 757500  
 01284 703534

 [www.sealey.co.uk](http://www.sealey.co.uk)  
 [sales@sealey.co.uk](mailto:sales@sealey.co.uk)