

Thank you for purchasing a Sealey product. Manufactured to a high standard this product will, if used according to these instructions and properly maintained, give you years of trouble free performance.



IMPORTANT: PLEASE READ THESE INSTRUCTIONS CAREFULLY. NOTE THE SAFE OPERATIONAL REQUIREMENTS, WARNINGS, AND CAUTIONS. USE THIS PRODUCT CORRECTLY, AND WITH CARE FOR THE PURPOSE FOR WHICH IT IS INTENDED. FAILURE TO DO SO MAY CAUSE DAMAGE AND/OR PERSONAL INJURY AND WILL INVALIDATE THE WARRANTY.

1. SAFETY INSTRUCTIONS

- WARNING! Ensure all Health & Safety, local authority, and general workshop practice regulations are strictly adhered to when using product.**
 - WARNING! Ensure the engine and cooling system have cooled down, before opening the radiator cap.**
 - ✓ Maintain tools in good and clean condition for best and safest performance. **DO NOT** use tester if damaged.
 - ✓ Wear suitable clothing to avoid snagging. **DO NOT** wear jewellery and tie back long hair.
 - ✓ Wear approved eye protection. A full range of personal safety equipment is available from your Sealey dealer.
 - ✓ Operate in a well ventilated area and avoid breathing in exhaust fumes.
 - ✓ Always keep a fire extinguisher close by, that is suitable for fuel/electrical/chemical fires.
 - ✓ Keep yourself, tools, and test equipment away from hot engine parts.
 - X **DO NOT** use this tool for any purpose other than that for which it is designed.
 - X Never lay tools on the vehicle's battery. This may short the terminals together, causing harm to yourself, the tools, or the battery.
 - ✓ Account for all tools and parts being used and do not leave any in the engine bay.
 - ✓ Keep children and other unauthorised persons away from the working area.
 - ✓ Keep test kit parts clean, store parts in the carry case, and keep this in a safe, dry, childproof location.
- IMPORTANT:** Always refer to the vehicle manufacturer's service instructions, or a proprietary manual to establish the current procedure and data. These instructions are provided as a guide only.

2. INTRODUCTION & SPECIFICATION

Heavy-duty pressure test kit. Aluminium radiator header tank caps are colour coded for ease of use and fitted with quick release fittings. Heavy-duty pump unit features smooth action and large, easy-to-read, scale. Long hose aids easy use of the gauge and quick release is fitted with pressure release valve for safe operation. Set supplied with thermometer. Suitable for a wide range of vehicle applications.

Locate system leaks from:

• Head gasket • Header tank • Radiator and heater cores • Water pump • Plugs, Hoses and Housings.

Manufacturer Application List:

Alfa Romeo, Audi, BMW, Citroen, Fiat, Ford, General Motors, Isuzu, Jaguar, Jeep, Land Rover, Lexus, Mazda, Mercedes Benz, Mitsubishi, Nissan, Opel, Peugeot, Renault, Rover, Saab, Seat, Skoda, Subaru, Suzuki, Toyota, Vauxhall, Volvo, VW.

3. OPERATING INSTRUCTIONS

3.1. Setting up.

- WARNING! Ensure the engine and cooling system have cooled down, before opening the radiator cap.**
- 3.1.1. Remove the radiator cap and clean around the radiator fitting.
- 3.1.2. Select the correct adaptor for the make of vehicle to be tested (the list provided overleaf is a guide only). Screw the adaptor onto the radiator, checking that the rubber gasket is correctly seated.
- 3.1.3. Connect the radiator tester to the adaptor by pushing on the quick-release coupling until it clicks.

3.2. Checking the system.

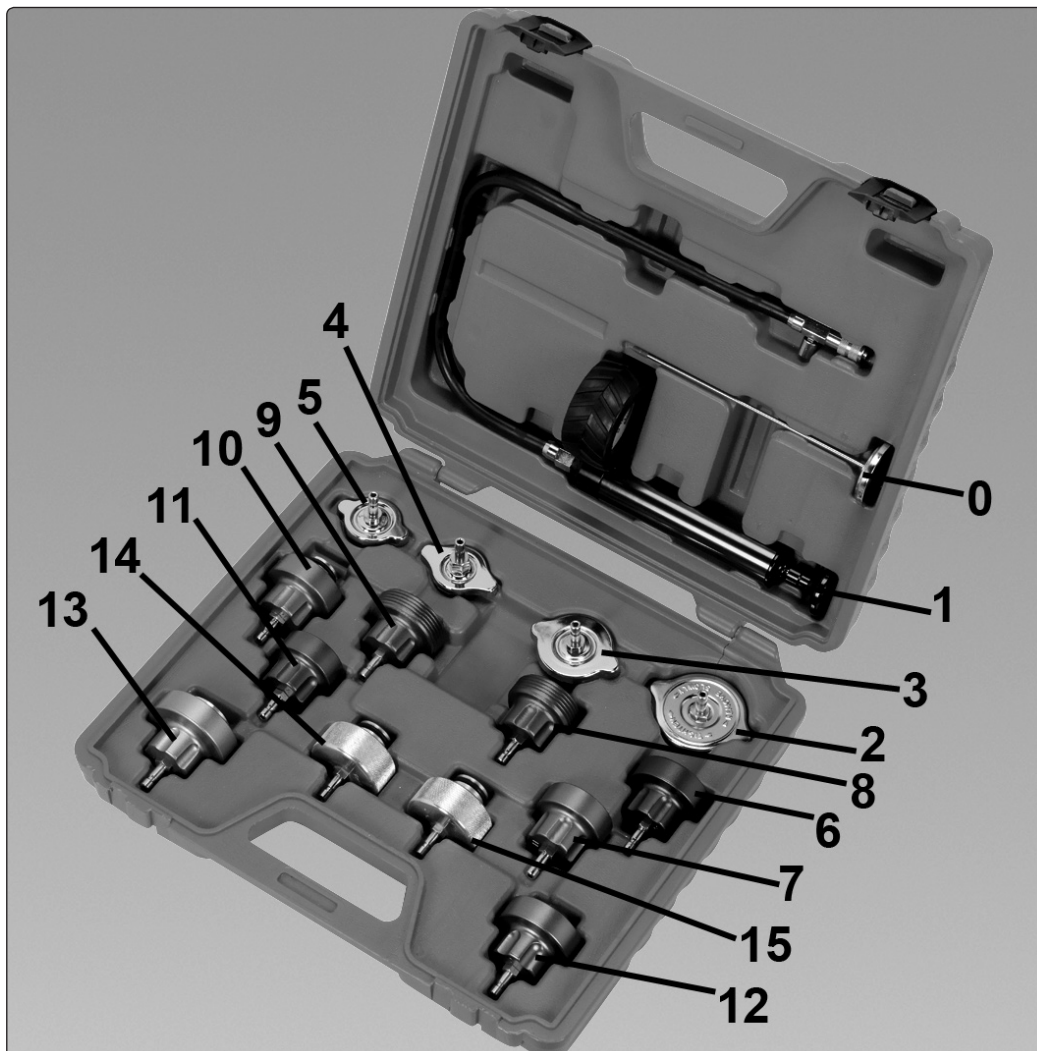
- 3.2.1. Pump the pump until the manometer indicates approximately 1Bar and leave for one minute.
- 3.2.2. If pressure remains constant for one minute, it will indicate that the system is in good condition.
- 3.2.3. If the pressure falls, it indicates that the system has a leak somewhere, resulting in loss of pressure.
- 3.2.4. Check the system for water leaks, and when located, repair accordingly.
- 3.2.5. If there is pressure loss, but no visible external water leakage, check the condition of the head gasket.
- 3.2.6. Re-test system after repair, to ensure there are no further leaks in the system and that repair is OK.
- 3.2.7. To remove adaptor, release pressure by pressing the valve on the side of the coupling, then remove the quick-release coupling by pulling back on the sleeve. Remove the adaptor and re-fit the radiator cap.

4. CONTENTS

ITEM	PART NO.	DESCRIPTION
0	VS006.V2-00	TEMPERATURE GAUGE
1	VS006.V2-01	PRESSURE TESTING PUMP C/W GAUGE

ADAPTORS:

ITEM	PART NO.	VEHICLE FITMENT
2	VS006.V2-02	GENERAL MOTORS (GM)
3	VS006.V2-03	FORD / JEEP / GM / MERCEDES BENZ
4	VS006.V2-04	GM / ISUZU / LEXUS / MAZDA / MITSUBISHI / NISSAN / PEUGEOT / SUBARU / SUZUKI / TOYOTA
5	VS006.V2-05	MITSUBISHI / SUZUKI / TOYOTA
6	VS006.V2-06	BMW / FORD / JAGUAR / OPEL / SAAB / VAUXHALL / VW
7	VS006.V2-07	ALFA ROMEO / AUDI / CITROEN / FIAT / JEEP / PEUGEOT / RENAULT / SAAB / VOLVO
8	VS006.V2-08	VW
9	VS006.V2-09	AUDI / BMW / SEAT / SKODA / VW
10	VS006.V2-10	BMW
11	VS006.V2-11	AUDI / VW
12	VS006.V2-12	FORD / GM / JAGUAR / LAND ROVER / OPEL / VAUXHALL
13	VS006.V2-13	MERCEDES BENZ
14	VS006.V2-14	FORD
15	VS006.V2-15	VAUXHALL



NOTE: It is our policy to continually improve products and as such we reserve the right to alter data, specifications and component parts without prior notice.

IMPORTANT: No liability is accepted for incorrect use of this product.

WARRANTY: Guarantee is 12 months from purchase date, proof of which will be required for any claim.

INFORMATION: For a copy of our latest catalogue and promotions call us on 01284 757525 and leave your full name and address, including postcode.



Sole UK Distributor, Sealey Group,
Kempson Way, Suffolk Business
Park, Bury St. Edmunds, Suffolk,
IP32 7AR

☎ 01284 757500

📠 01284 703534

🌐 www.sealey.co.uk

✉ sales@sealey.co.uk