



# INSTRUCTIONS FOR: SUBMERSIBLE DIRTY WATER PUMPS - AUTOMATIC

MODEL No's: **WPD235A.V2, WPS225A.V2**

Thank you for purchasing a Sealey product. Manufactured to a high standard this product will, if used according to these instructions and properly maintained, give you years of trouble free performance.



**IMPORTANT: PLEASE READ THESE INSTRUCTIONS CAREFULLY. NOTE THE SAFE OPERATIONAL REQUIREMENTS, WARNINGS & CAUTIONS. USE THE PRODUCT CORRECTLY AND WITH CARE FOR THE PURPOSE FOR WHICH IT IS INTENDED. FAILURE TO DO SO MAY CAUSE DAMAGE AND/OR PERSONAL INJURY AND WILL INVALIDATE THE WARRANTY. PLEASE KEEP INSTRUCTIONS SAFE FOR FUTURE USE.**

## 1. SAFETY INSTRUCTIONS

### 1.1. ELECTRICAL SAFETY

**WARNING! It is the owner's responsibility to read, understand and comply with the following:**

You must check all electrical equipment and appliances to ensure they are safe before using. You must inspect power supply leads, plugs and all electrical connections for wear and damage. You must ensure the risk of electric shock is minimised by the installation of appropriate safety devices. An RCCB (Residual Current Circuit Breaker) should be incorporated in the main distribution board. We also recommend that an RCD (Residual Current Device) is used with all electrical products. It is particularly important to use an RCD together with portable products that are plugged into an electrical supply not protected by an RCCB. If in doubt consult a qualified electrician. You may obtain a Residual Current Device by contacting your Sealey dealer. **You must** also read and understand the following instructions concerning electrical safety.

1.1.1. The Electricity At Work Act 1989 requires all portable electrical appliances, if used on business premises, to be tested by a qualified electrician, using a Portable Appliance Tester (PAT), at least once a year.

1.1.2. The **Health & Safety at Work Act 1974** makes owners of electrical appliances responsible for the safe condition of the appliance and the safety of the appliance operator. **If in any doubt about electrical safety, contact a qualified electrician.**

1.1.3. Ensure the insulation on all cables and the product itself is safe before connecting to the mains power supply. The pump and cable are designed for submerging in water and as such must not be tampered with (if in doubt, contact a qualified electrician).

1.1.4. Ensure that cables are always protected against short circuit and overload.

1.1.5. Regularly inspect power supply leads, plugs and all electrical connections for wear and damage, especially power connections, to ensure that none is loose.

1.1.6. **Important:** Ensure the voltage marked on the product is the same as the electrical power supply to be used, and check that plugs are fitted with the correct capacity fuse. A 13 amp plug may require a fuse smaller than 13 amps for certain products, see fuse rating at right.

1.1.7. **DO NOT** pull or carry the appliance by its power supply lead.

1.1.8. **DO NOT** pull power plugs from sockets by the power cable.

1.1.9. **DO NOT** use worn or damaged leads, plugs or connections. Immediately replace or have repaired by a qualified electrician. A U.K. 3 pin plug with ASTA/BS approval is fitted. In case of damage, cut off and fit a new plug according to the following instructions (discard old plug safely).

(UK only - see diagram at right). **Ensure the unit is correctly earthed via a three-pin plug.**

a) **Connect the GREEN/YELLOW earth wire to the earth terminal 'E'.**

b) **Connect the BROWN live wire to live terminal 'L'.**

c) **Connect the BLUE neutral wire to the neutral terminal 'N'.**

d) **After wiring, check that there are no bare wires, that all wires have been correctly connected, that the cable outer insulation extends beyond the cable restraint and that the restraint is tight.**

1.1.10. Only allow the minimal amount of pump cable to enter water or wet areas. The electrical cable is designed for use in water and must not be substituted. If damaged contact a qualified electrician.

1.1.11. **Extension cable use. Only use a cable designed for use with water equipment. Contact your dealer or a qualified electrician for advice. Ensure water is kept clear of electrical mains power supply. DO NOT touch switch or plug with wet hands.**

### 1.2. GENERAL SAFETY

**WARNING!** Pump must be used in accordance with Health & Safety, government, local authority, and water authority rules and regulations.

✓ Familiarise yourself with application and limitations, as well as the specific potential hazards peculiar to the pump.

**WARNING!** Disconnect the pump from the mains power before changing accessories, servicing or performing any maintenance.

✓ Maintain the pump in good condition (use an authorised service agent). Keep the pump clean.

✓ Replace or repair damaged parts. *Use genuine parts only. Unauthorised parts may be dangerous and will invalidate the warranty.*

✓ Only use for pumping liquids under 35°C.

✓ If pump is used to pump water from a well, drain or deep receptacle, take adequate precautions to stop persons or animals from falling in.

✓ Use the built-in handle to lower or raise the pump. It may be necessary to attach a suitable rope or pulley to the handle.

✓ If the bottom of the water container is covered with sludge, sand, gravel or mud etc, suspend the pump or place it on a raised base to operate above the solid matter. Sand and such substances will reduce working life of pump, and invalidate your warranty.

✓ In flood situations, user is responsible for ensuring that appropriate back-up procedures, alarms etc are correctly installed in case of pump failure.

✓ In swimming pools, fish ponds, etc, ensure location is clear of people and animals, including removal of fish from pond.

**Note:** this pump is not designed for continuous use in a fish pond or similar water feature or display.

x **DO NOT** operate the pump if any parts are damaged or missing as this may cause failure and/or possible personal injury.

x **DO NOT** use the pump for any purpose other than for that which it is designed.

x **DO NOT** use to pump chemicals, fuels or salt water.

x **DO NOT** insert hands into the mouth of the pump as this could lead to injury.

x **DO NOT** use to pump septic tanks or settling pits. **DO NOT** pump any liquids other than water.

x **DO NOT** operate the pump out of water. The pump pick up area must be completely submerged during operation.

x **DO NOT** exceed the maximum submersible depth - see specifications.

x **DO NOT** operate the pump during freezing temperatures. **DO NOT** leave the pump in water that may freeze.

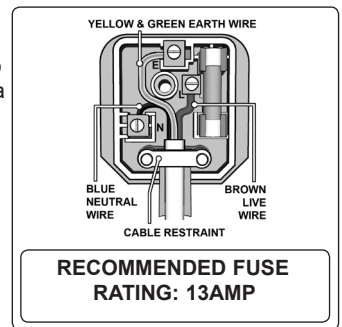
x **DO NOT** use in swimming pools if people could come into contact with the water whilst pump is in use.

x **DO NOT** use for pumping sea water or inflammable, corrosive, explosive or dangerous liquids.

x **DO NOT** carry the pump by its electrical cable, or outlet pipe. Use the handle only.

✓ When not in use switch off pump and remove plug from power supply. Rinse pump, drain out any water and store in a frost free, safe location.

**WARNING! DO NOT allow uncontrolled discharge of contaminated water which would pollute the environment.**



## 2. INTRODUCTION & SPECIFICATIONS

Manufactured from corrosion resistant materials with - stainless steel motor case and Noryl base cover - WPD235A.V2  
 - stainless steel body and motor case - WPS225A.V2

Fitted with automatic cut-out. Designed for operation in dense and dirty water. Suitable for the effective drainage of cellars, sinks, cisterns, baths and the general transfer of water and dense liquids.

Model No.	Cut-Out	Outlet OD	Maximum Output	Maximum Head	Motor	Input	Maximum Particle Size	Minimum Water Depth	Maximum Water Depth
WPD235A.V2	Automatic	38mm	217ltr/min	8mtr	750W	230V	35mm	40mm	7mtr
WPS225A.V2	Automatic	38mm	225ltr/min	7.5mtr	750W	230V	15mm	30mm	5mtr



WPD235A.V2



WPS225A.V2

fig.1

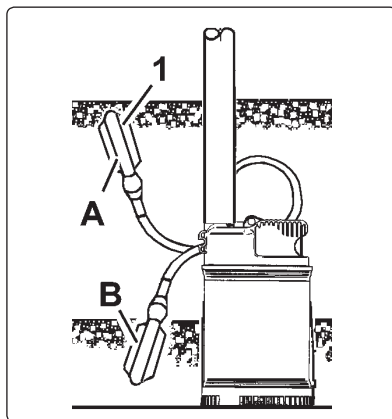
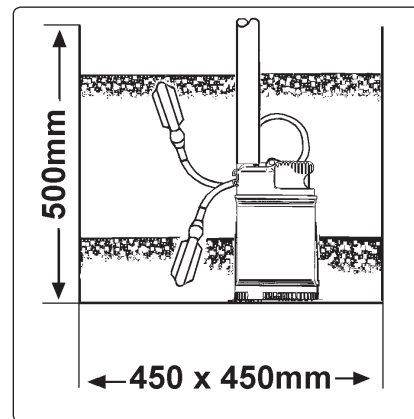


fig.2



## 3. OPERATING INSTRUCTIONS

☐ **WARNING!** Ensure you read, understand and apply safety instructions.

- 3.1. Fit appropriate discharge pipe to pump outlet and secure with clip. Ensure the diameter of the discharge pipe is the same as, or greater than, the outlet diameter. A smaller pipe will adversely effect the pump flow rate.
- 3.2. Position pump in the water, and place the outlet pipe securely in the discharge receptacle or area. We recommend the pump is submerged with its discharge outlet facing up to release any trapped air.
- 3.3. Plug the pump into the electrical mains supply and switch on.  
 The pump will automatically turn on as the level of water rises (fig.1.A). As water level lowers, the float will automatically switch the pump off as it reaches the minimum height (B). Float may be adjusted by shortening or lengthening the cable. The pump will switch on if the water level is up to or above the maximum length of the float cable. To function correctly the float must move freely. Ensure the float can do so and that the cable is not restricted. Check that the pump and discharge are working correctly.
- 3.4. The water into which the pump is placed will act as the motor cooling agent. For this reason the pump must remain submerged at all times. Should the pump have to be used in shallow water **DO NOT** operate for more than 10 minutes. Failure to follow this rule will damage the unit and will invalidate your warranty.

**NOTE:** See fig.2 to determine minimum clearance required if using pump in a restricted area i.e. well, etc.

## 4. MAINTENANCE

- ❑ **WARNING!** With the exception listed below, all pump, float and electrical cable service maintenance and repair must only be undertaken by an authorised service agent. Failure to observe this rule may be dangerous and will invalidate your warranty.
  - ❑ **WARNING!** Ensure the pump is disconnected from the mains power supply before attempting any service or maintenance.
- 4.1. Keep all parts of the pump clean. Rinse, drain and allow to dry before storing pump.
- 4.2. Regularly check the water inlet on the base of the pump to ensure there are no blockages. To access the impeller carefully undo the base hex headed screws and remove base. Clean impeller and replace base ensuring that the O ring is correctly located. **DO NOT** dismantle any other part of the unit.

TROUBLESHOOTING		
a. Motor operates but there is no suction.	<ol style="list-style-type: none"> <li>1. Water level below min suction depth.</li> <li>2. Air bubbles in pump accumulated during submersion, or float is incorrectly positioned so pump does not stop at minimum level and sucks in air.</li> <li>3. Clogged intake filter or discharge pipe.</li> </ol>	<ol style="list-style-type: none"> <li>1. Stop the pump.</li> <li>2. Release air by inclining the pump and re-immersing it in water.</li> <li>3. Remove blockage, and clean the unit.</li> </ol>
b. Reduced water volume for level of water	<ol style="list-style-type: none"> <li>1. Discharge pipe bent, or pinched.</li> <li>2. Discharge pipe too narrow.</li> <li>3. Pump partially blocked.</li> </ol>	<ol style="list-style-type: none"> <li>1. Straighten pipe.</li> <li>2. Use wider diameter pipe.</li> <li>3. Clean pump.</li> </ol>
c. The pump will not start or suddenly stops during operation.	<ol style="list-style-type: none"> <li>1. No electrical power.</li> <li>2. Float not working.</li> <li>3. Impeller is jammed.</li> </ol>	<ol style="list-style-type: none"> <li>1. Check cable, plug and fuse.</li> <li>2. Contact authorised service agent.</li> <li>3. Clean the pump.</li> </ol>

**NOTE:** This appliance is not intended for use by persons (including children) with reduced physical, sensory or mental capabilities or lack of experience and knowledge, unless they have been given supervision or instruction concerning the use of the appliance by a person responsible for their safety. Children should be supervised to ensure that they do not play with the appliance.



### Environmental Protection.

Recycle unwanted materials instead of disposing of them as waste. All tools, accessories and packaging should be sorted, taken to a recycle centre and disposed of in a manner which is compatible with the environment.



When the product is no longer required, it must be disposed of in an environmentally protective way. Contact your local solid waste authority for recycling information.

**Parts support is available for these products. To obtain a parts listing and/or diagram, please log on to [www.sealey.co.uk](http://www.sealey.co.uk), email [sales@sealey.co.uk](mailto:sales@sealey.co.uk) or phone 01284 757500.**

**NOTE:** It is our policy to continually improve products and as such we reserve the right to alter data, specifications and component parts without prior notice.

**IMPORTANT:** No liability is accepted for incorrect use of this product.

**WARRANTY:** Guarantee is 12 months from purchase date, proof of which will be required for any claim.

**INFORMATION:** For a copy of our latest catalogue and promotions call us on 01284 757525 and leave your full name and address, including postcode.



**Sole UK Distributor, Sealey Group,**  
Kempson Way, Suffolk Business Park,  
Bury St. Edmunds, Suffolk,  
IP32 7AR



01284 757500



[www.sealey.co.uk](http://www.sealey.co.uk)



[sales@sealey.co.uk](mailto:sales@sealey.co.uk)