



SHORTY PUSH RAM
Models: RE97XS05, RE97XS10
RE97XS20, RE97XS30



SHORTY PUSH RAM
Models: RE97XS05, RE97XS10
RE97XS20, RE97XS30

Thank you for purchasing a Sealey product. Manufactured to a high standard this product will, if used according to these instructions and properly maintained, give you years of trouble free performance.

IMPORTANT: PLEASE READ THESE INSTRUCTIONS CAREFULLY. NOTE THE SAFE OPERATIONAL REQUIREMENTS, WARNINGS & CAUTIONS. USE THE PRODUCT CORRECTLY AND WITH CARE FOR THE PURPOSE FOR WHICH IT IS INTENDED. FAILURE TO DO SO MAY CAUSE DAMAGE AND/OR PERSONAL INJURY AND WILL INVALIDATE THE WARRANTY. PLEASE KEEP INSTRUCTIONS SAFE FOR FUTURE USE.

Only fully trained and qualified persons should use this equipment. These instructions are not a substitute for user receiving full supervised training by a qualified person. It is important the user understands the applications, limitations and potential hazards of the product.

RE97XS05



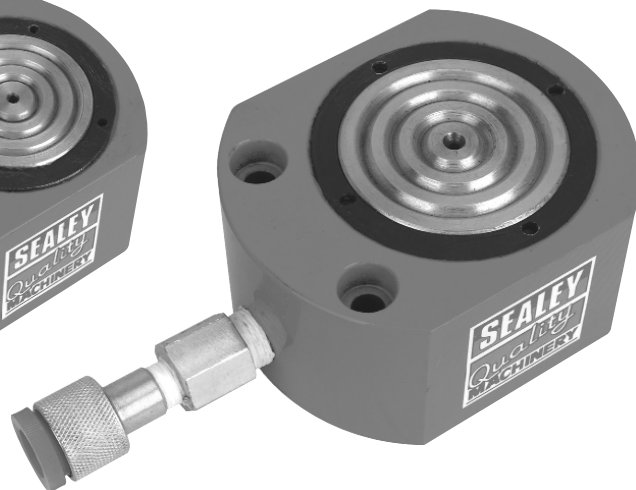
RE97XS10



RE97XS20



RE97XS30



1. SAFETY INSTRUCTIONS

- WARNING!** Ensure Health & Safety, local authority and general workshop practice regulations are adhered to when using this equipment.
- ✓ Familiarise yourself with product application and limitations, as well as the specific hazards peculiar to the kit.
- WARNING!** Disconnect the ram from the hydraulic pump before servicing or performing any maintenance on the unit.
- ✓ Maintain kit in good order. Replace/repair with *genuine parts only*. *Unauthorised parts may be dangerous and will invalidate the warranty.*
- ✓ Keep the ram clean for best and safest performance.
- WARNING!** Ensure you know how much load you are pushing. **Never exceed the maximum pushing capacity.**
- ✓ Use only with Sealey hydraulic pump and accessories. Wrong equipment may damage unit and invalidate your warranty.
- ✓ We recommend the use of BS approved safety impact goggles and heavy duty gloves when working with this equipment. Both are available from your authorised Sealey dealer.
- ✓ Maintain correct balance and footing. Ensure the floor is not slippery and wear non-slip shoes.
- ✓ If working on an 'off centre' load, pump with care. If you feel undue resistance, stop and re-adjust the set-up.
- WARNING! Keep your hands, body and clothing away from the ram and load when in use.**
Take any necessary precautions to protect your personal safety whilst using the ram.
Always be prepared for unexpected load movement, never place yourself or any part of your body in a position that could result in injury, always use a crowbar or similar device to manoeuvre the load.
- ✓ Ensure the hydraulic hose is not bent or kinked but laid out correctly. Avoid damage to the hose (e.g. crushing/cutting).
- ✓ Keep non-essential persons away from the operating area. Be aware of the locations of other persons assisting you.
- ✓ When releasing tension from the load be sure to undo the hydraulic valve **VERY** slowly.
- DO NOT** operate the ram if any parts are damaged or missing as this may cause failure and/or personal injury.
- WARNING! DO NOT use for any purpose other than for which it is designed.**
- DO NOT** heat accessories as this may weaken them.
- DO NOT** modify accessories for use with this ram.
- ✓ When not in use, place dust cap in end of hydraulic connector and store the ram, in a safe, dry, childproof location.

2. SPECIFICATIONS

Ram Model No.	Type.	Capacity.	Closed /Open Height.
RE97XS05	Push	5000kg	33/39mm
RE97XS10	Push	10000kg	43/54mm
RE97XS20	Push	20000kg	52/63mm
RE97XS30	Push	30000kg	59/71mm



NOTE: It is our policy to continually improve products and as such we reserve the right to alter data, specifications and component parts without prior notice.
IMPORTANT: No liability is accepted for incorrect use of product. **WARRANTY:** Guarantee is 12 months from purchase date, proof of which will be required for any claim. **INFORMATION:** For a copy of our latest catalogue and promotions call us on 01284 757525 and leave your full name and address, including postcode.

SEALEY Quality MACHINERY Sole UK Distributor, Sealey Group, Bury St. Edmunds, Suffolk. 01284 757500 01284 703534 sales@sealey.co.uk www.sealey.co.uk

3. INTRODUCTION

Extremely short collapsed height makes these rams suitable for use where there is almost no clearance at the lift point. Unique ram and cylinder bearings absorb eccentric load stresses in order to protect the cylinder against abrasion, over-extension and jamming. Chromed rams with polyurethane seals and wipers provide longer service life. Rams feature high flow quick connecting couplers with dust caps. Use in conjunction with 10T or 4T pump and hose (610/40, 610/42 or 604/40, 604/42)

4. INSTRUCTIONS FOR USE

WARNING! Ensure you have read and understood *chapter 1 safety instructions*.

Note: These instructions are intended to provide a guide to basic operation and are in no way intended to replace the advice/instruction of a qualified specialist.

Only fully trained persons should use this equipment.

- 4.1 Remove plug from ram connector (retain plug to reseal connector after use).
- 4.2 Connect to suitable hydraulic pump (see section 3).
- 4.3 Position ram as required and operate pump.

IMPORTANT: Always store the ram with the piston fully retracted to help prevent corrosion. Rams with signs of rust on the main piston cannot be replaced under warranty.

5. MAINTENANCE

IMPORTANT: Only fully qualified personnel should attempt maintenance or repair to the hydraulic system.

WARNING: DO NOT use brake fluid, or any fluid other than hydraulic jack fluid, as this may cause serious damage to the pump/ram and will invalidate the warranty! Use only Sealey hydraulic oil.

5.2 General

Before each use check for damage to ram, pump, hose and accessories. If any suspect item is found remove from service and take necessary action to remedy the problem.

Replace/repair with *genuine parts only*. Unauthorised parts may be dangerous and will invalidate the warranty. Keep all parts of the kit clean - use only a mild detergent and a damp cloth. DO NOT use solvents.

Note: A small amount of oil around ram seal is normal - a thicker layer of oil may be deposited onto the ram initially, due to the ram seals bedding in. Hydraulic coupling will weep a small amount of oil, particularly if ram is under pressure when coupling is released - this is normal.

IMPORTANT: NO RESPONSIBILITY IS ACCEPTED FOR INCORRECT USE OF THE RAM.

Hydraulic products are only repaired by local service agents. We have service/repair agents in all parts of the UK. **DO NOT RETURN RAM TO US.** Please telephone us on 01284 757500 to obtain the address and phone number of your local agent. If product is under guarantee please contact your dealer.

De-commissioning Hydraulic Pump/Ram

Should the ram become completely unserviceable draw off the oil into an approved container and dispose of the product and the oil according to local regulations.

Declaration of Conformity We, the sole importer into the UK, declare that the product listed below is in conformity with the following standards and directives.

SHORTY PUSH RAM
MODELS: RE97XS05,
RE97XS10, RE97XS20,
RE97XS30
 98/37/EC Machinery Directive



The construction file for this product is held by the Manufacturer and may be inspected, by a national authority, upon request to Jack Sealey Ltd.

Signed by Mark Sweetman

1st November 2004

For Jack Sealey Ltd.
 Sole importer into the UK of
 Sealey Power Products.

NOTE: It is our policy to continually improve products and as such we reserve the right to alter data, specifications and component parts without prior notice.

IMPORTANT: No liability is accepted for incorrect use of product. **WARRANTY:** Guarantee is 12 months from purchase date, proof of which will be required for any claim. **INFORMATION:** For a copy of our latest catalogue and promotions call us on 01284 757525 and leave your full name and address, including postcode.



Sole UK Distributor,
 Sealey Group,
 Bury St. Edmunds, Suffolk.

01284 757500

01284 703534

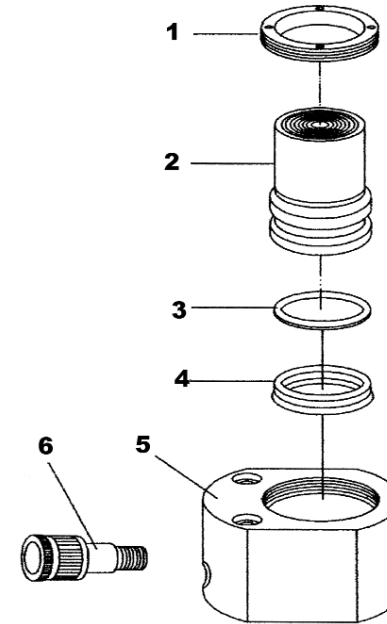
sales@sealey.co.uk

www.sealey.co.uk

RE97XS05, RE97XS10, RE97XS20, RE97XS30 - 1 - 091104



PARTS FOR: SHORTY PUSH RAM
Model: RE97XS05, RE97XS10
RE97XS20, RE97XS30



RE97XS05

1	RE97XS05.01	NUT
2	RE97XS05.02	RAM
3	RE97XS05.03	SEAL WASHER
4	RE97XS05.04	U-CUP SEAL
5	RE97XS05.05	CYLINDER BASE
6	RE97XS05.06	QUICK COUPLER

RE97XS10

1	RE97XS10.01	NUT
2	RE97XS10.02	RAM
3	RE97XS10.03	SEAL WASHER
4	RE97XS10.04	U-CUP SEAL
5	RE97XS10.05	CYLINDER BASE
6	RE97XS10.06	QUICK COUPLER

RE97XS20

1	RE97XS20.01	NUT
2	RE97XS20.02	RAM
3	RE97XS20.03	SEAL WASHER
4	RE97XS20.04	U-CUP SEAL
5	RE97XS20.05	CYLINDER BASE
6	RE97XS20.06	QUICK COUPLER

RE97XS30

1	RE97XS30.01	NUT
2	RE97XS30.02	RAM
3	RE97XS30.03	SEAL WASHER
4	RE97XS30.04	U-CUP SEAL
5	RE97XS30.05	CYLINDER BASE
6	RE97XS30.06	QUICK COUPLER

NOTE: It is our policy to continually improve products and as such we reserve the right to alter data, specifications and component parts without prior notice.

IMPORTANT: No liability is accepted for incorrect use of product. **WARRANTY:** Guarantee is 12 months from purchase date, proof of which will be required for any claim. **INFORMATION:** For a copy of our latest catalogue and promotions call us on 01284 757525 and leave your full name and address, including postcode.



Sole UK Distributor,
 Sealey Group,
 Bury St. Edmunds, Suffolk.

01284 757500

01284 703534

sales@sealey.co.uk

www.sealey.co.uk

RE97XS05, RE97XS10, RE97XS20, RE97XS30 - 1 - 091104