

SEALEY

Professional TOOLS

Instructions for: PIPE FLARING KIT

Model: AK5063

Thank you for purchasing a Sealey Product. Manufactured to a high standard this product will, if used according to these instructions and properly maintained, give you years of trouble free performance.



IMPORTANT: PLEASE READ THESE INSTRUCTIONS CAREFULLY. NOTE THE SAFE OPERATIONAL REQUIREMENTS, WARNINGS AND CAUTIONS. USE THIS PRODUCT CORRECTLY AND WITH CARE, FOR THE PURPOSE FOR WHICH IT IS INTENDED. FAILURE TO DO SO MAY CAUSE DAMAGE AND/OR PERSONAL INJURY AND WILL INVALIDATE THE WARRANTY. PLEASE KEEP THESE INSTRUCTIONS SAFE FOR FUTURE USE.

1. SAFETY INSTRUCTIONS

- p **WARNING!** Ensure Health & Safety, local authority and general workshop practice requirements are adhered to when using this equipment. Familiarise yourself with the application and limitations, as well as the potential hazards of the kit.
- ✓ This kit is suitable for flaring copper, brass or thin walled aluminium pipe. **DO NOT** use for flaring steel pipe.
- ✓ Maintain the kit in good condition.
- 3 Replace or repair damaged parts. Use genuine parts only. Unauthorised parts may be dangerous and will invalidate the warranty.
- 3 Locate the flaring tools in a suitable work area, keep the area clean and tidy and ensure there is adequate lighting.
- p **WARNING!** Always wear approved eye or face protection when using the flaring tools.
- ✓ Keep children and unauthorised persons away from the working area.
- x **DO NOT** use the kit for any purpose other than for which it is designed.
- x **DO NOT** use the kit if any parts are damaged or missing as this may cause failure and/or personal injury.
- x **DO NOT** allow untrained persons to use the kit.
- x **DO NOT** attempt to flare piping when you are tired, under the influence of alcohol, drugs or intoxicating medication.
- ✓ When not in use clean kit components, replace in case and store in a safe, dry, childproof area. Remember! The safe operation of a vehicle, or other equipment, may well depend on the quality of the flare produced. Discard any flare which is mis-formed.
- p **WARNING! The warnings, cautions and instructions discussed in this manual cannot cover all possible conditions and situations that may occur. It must be understood that common sense and caution are factors which cannot be built into this product, but must be applied by the operator.**

2. CONTENT

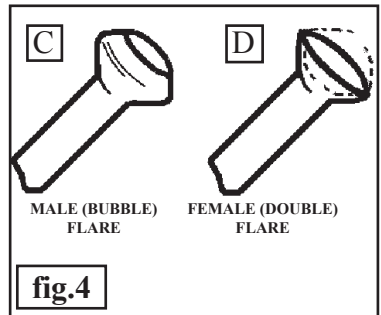
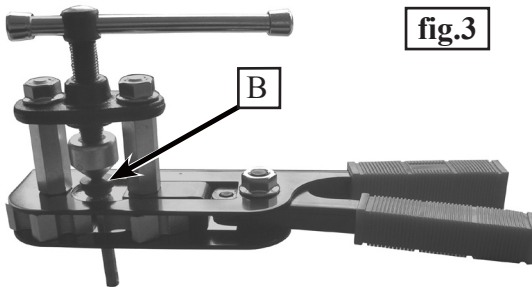
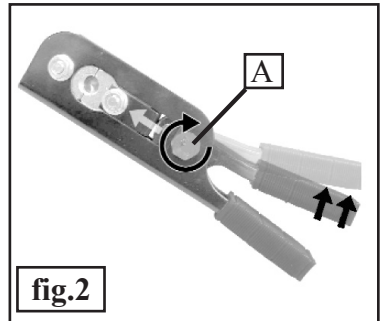
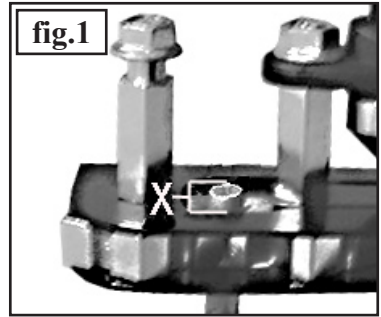
Check the content of the kit against the list below. If any item is missing or damaged, contact your supplier immediately.

| Part No. | Description |
|-----------|---|
| AK5063.01 | Flare Dies (5 piece) - 1/2", 3/8", 5/16", 1/4", 3/16" |
| AK5063.02 | Pipe Clamp |
| AK5063.03 | Flare Press - 45° |



3. OPERATING INSTRUCTIONS

- ❑ **WARNING!** Before using the flaring kit, ensure that you have read and understood the Safety Instructions in Section 1.
- 3.1. The pipe end to be flared must be cut clean and square and be de-burred. Use a pipe or tube cutter (available from your Sealey dealer).
- 3.2. Open the clamp and select the appropriate matching semi-cylindrical indentations on the two rotating dies. Insert the prepared end of the pipe between the rotating dies and grip the handles of the tool, bringing them together forcefully. Adjust the protrusion of the pipe so that 'X' (fig.1) is at least 1/8" to 3/16" depending on pipe size - the larger the pipe - the greater 'X' should be.
- 3.3. Grip the clamp firmly to ensure that the pipe does not slip. Should the hold appear insufficient, turn the cam pivot adjustment (fig.2.A), thereby repositioning the clamp handles allowing more pressure to be exerted.
- 3.4. **To form a Male (Bubble) flare (fig.4.C).**
Proceed as above (3.3), then place the appropriately sized die in the pipe end (fig.3.B), position the press above the die and screw down until stiff resistance is felt. Remove the press and check that the flare is symmetrically formed.
- 3.5. **To form a female (Double) flare (fig.4.D).**
Proceed as above (3.4) to produce a male (Bubble) flare, then swivel the flare press, without a die fitted, over the exposed pipe. Screw the press down.
This will fold the top section of the 'male' flare inwards to form a female 'double' flare (fig.4.D).
Again, check that the flare is symmetrically formed.



NOTE: It is our policy to continually improve products and as such we reserve the right to alter data, specifications and component parts without prior notice.

IMPORTANT: No liability is accepted for incorrect use of this equipment.

WARRANTY: Guarantee is 12 months from purchase date, proof of which will be required for any claim.

INFORMATION: For a copy of our latest catalogue and promotions call us on 01284 757525 and leave your full name and address, including postcode.



Sole UK Distributor
Sealey Group,
Bury St. Edmunds, Suffolk.

☎ 01284 757500
📠 01284 703534

🌐 www.sealey.co.uk
✉ sales@sealey.co.uk