



INSTRUCTIONS FOR: STUD WELDER WITH SLIDE HAMMER MODEL No: SR20.V3

Thank you for purchasing a Sealey product. Manufactured to a high standard, this product will, if used according to these instructions, and properly maintained, give you years of trouble free performance.



IMPORTANT: PLEASE READ THESE INSTRUCTIONS CAREFULLY. NOTE THE SAFE OPERATIONAL REQUIREMENTS, WARNINGS & CAUTIONS. USE THE PRODUCT CORRECTLY AND WITH CARE FOR THE PURPOSE FOR WHICH IT IS INTENDED. FAILURE TO DO SO MAY CAUSE DAMAGE AND/OR PERSONAL INJURY AND WILL INVALIDATE THE WARRANTY. KEEP THESE INSTRUCTIONS SAFE FOR FUTURE USE.

1. SAFETY

1.1. ELECTRICAL SAFETY.

WARNING! It is the owner's responsibility to read, understand and comply with the following:

You must check all electrical equipment and appliances to ensure that they are safe before use. You must inspect power supply leads, plugs and all electrical connections for wear and damage. You must ensure the risk of electric shock is minimised by the installation of appropriate safety devices. An RCCB (Residual Current Circuit Breaker) should be incorporated in the main distribution board. We also recommend that an RCD (Residual Current Device) is used with all electrical products. It is particularly important to use an RCD with portable products that are plugged into an electrical supply not protected by an RCCB. If in doubt consult a qualified electrician. You may obtain a Residual Current Device by contacting your Sealey dealer. **You must** also read and understand the following instructions concerning electrical safety.

- 1.1.1. The **Electricity At Work Act 1989** requires all portable electrical appliances, if used on business premises, to be tested by a qualified electrician, using a Portable Appliance Tester (PAT), at least once a year.
- 1.1.2. The **Health & Safety at Work Act 1974** makes owners of electrical appliances responsible for the safe condition of the appliance and the safety of the appliance operator. **If in any doubt about electrical safety, contact a qualified electrician.**
- 1.1.3. Ensure the insulation on all cables and the product itself is safe before connecting to the mains power supply. See 1.1.1. & 1.1.2. above and use a Portable Appliance Tester (PAT).
- 1.1.4. Ensure that cables are always protected against short circuit and overload.
- 1.1.5. Regularly inspect power supply, leads, plugs for wear and damage and all electrical connections to ensure that none is loose.
- 1.1.6. **IMPORTANT:** Ensure the voltage marked on the product is the same as the electrical power supply to be used and check that supply is correctly fused, see fuse rating at right.
- 1.1.7. **DO NOT** pull or carry the powered appliance by its power supply lead.
- 1.1.8. **DO NOT** pull power plugs from sockets by the power cable.
- 1.1.9. **DO NOT** use worn or damaged leads, plugs or connections. Immediately replace or have repaired by a qualified electrician.
- 1.1.10. This product is fitted with a *round pin* 16A plug. **You must** contact a qualified electrician to ensure a 30A supply is available.

If fitting such a plug -

Ensure that the unit is correctly wired and earthed, as follows:

a) **Connect the GREEN/YELLOW earth wire to the earth terminal 'E'.**

b) **Connect the BROWN live wire to live terminal 'L'.**

c) **Connect the BLUE neutral wire to the neutral terminal 'N'.**

d) **After wiring, check there are no bare wires, that all wires have been correctly connected, that the cable outer insulation is clamped by the cable grip and that the grip is tight.**

- 1.1.11. **Cable extension reels.** When a cable extension reel is used it should be fully unwound before connection. A cable reel with an RCD fitted is recommended since any product which is plugged into the cable reel will be protected. The section of the cores of the cable is important. 1.5mm² section is a minimum, but to be absolutely sure that the capacity of the cable reel is suitable for this product and for others that may be used in the other output sockets, we recommend the use of 2.5mm² section cable.

1.2. GENERAL SAFETY

WARNING: *Unplug from the mains power supply before performing maintenance or service.*

✓ Ensure the welder and all cables are in sound condition and good working order, and keep the copper carrier tight.

✓ Replace or repair damaged parts. *Use recommended parts only, unauthorised parts may be dangerous and will invalidate the warranty.*

✓ Keep the welder clean for the best and safest performance.

✓ Use the welder in a suitable work area. Keep the area clean and tidy and free from unrelated materials. Ensure that there is adequate lighting.

WARNING! Wear safety goggles, protective clothing and welding gauntlets.

✓ Check you have good ventilation and that air can flow freely around the welder.

✓ Ensure that there are no flammable materials near the work area.

✓ Keep children and unauthorised persons away from the work area.

✓ Remove ill fitting clothing, remove ties, watches, rings, and other loose jewellery and contain long hair.

DANGER! *The welder creates magnetic fields that can interfere with watches and such devices. If you have a pacemaker, consult a doctor before welding or approaching a stud welding area.*

X **DO NOT wear any clothing with metal accessories. Ensure that there are no metallic articles in your pockets.**

X **DO NOT** use the welder for any purpose other than that for which it is designed.

X **DO NOT** get the welder wet or use the welder in damp or wet locations.

DANGER! DO NOT weld near flammable materials - solids, liquids or gases.

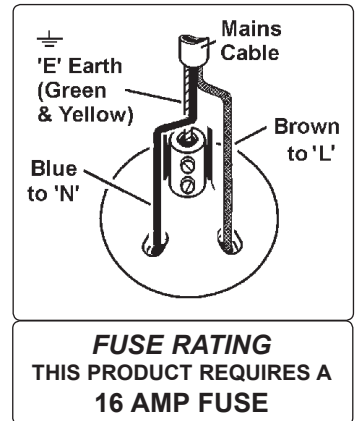
X **DO NOT** operate the welder while under the influence of drugs, alcohol or intoxicating medication, or if tired.

X **DO NOT** operate the welder if it, or the cable, is damaged.

X **DO NOT** allow untrained persons to operate the welder.

X **DO NOT** use outside, welder is for inside use only.

✓ When not in use, switch off welder, remove plug from power supply and store in a dry, childproof location.



2. INTRODUCTION

A welder of exceptional quality for fast, efficient body repairs. Allows the quick removal of dents, without holes, or the need to remove interior trim. Amazing pulling power - even on heavier gauge panels. Welds on nails and washers.

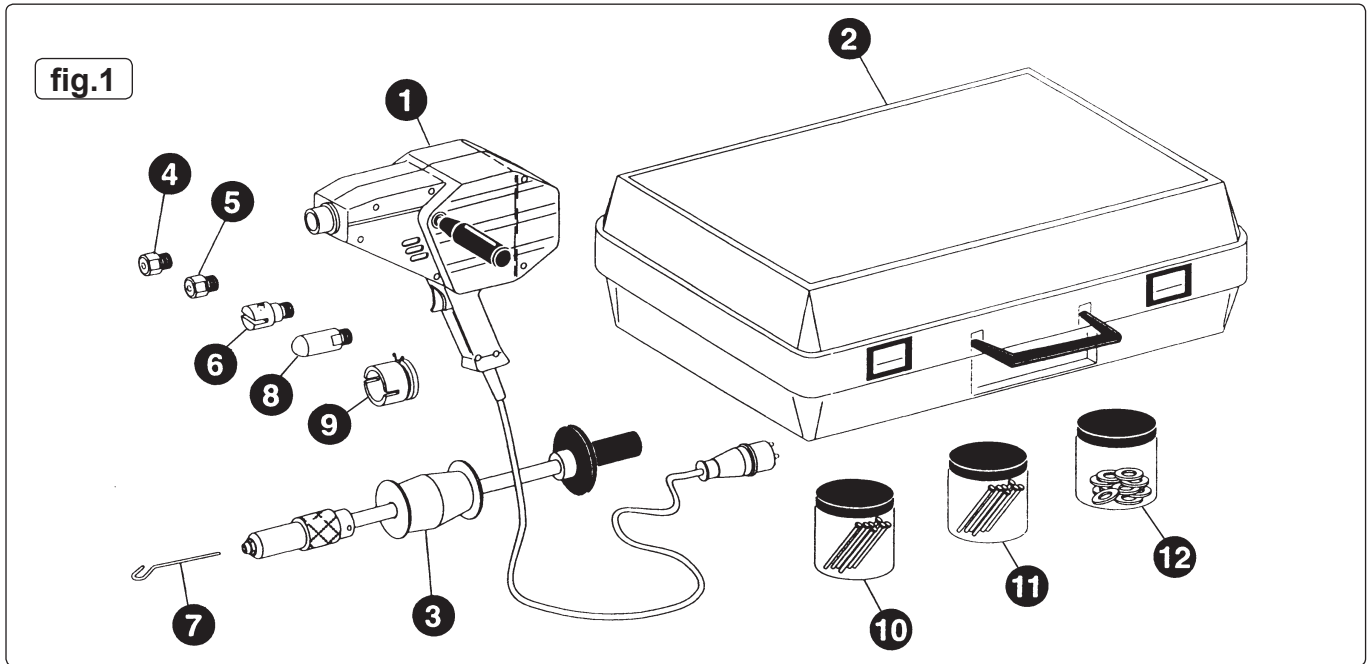
3. SPECIFICATION

Power Supply:230V
Mains Fuse:16A
Power at 50%:0.8kW

Maximum Welding Power: 6kW
Maximum Short Circuit Current:2500A
Weight: 4.9kg

4. CONTENTS

1. Welding Gun.
2. Case.
3. Slide Hammer.
4. Electrode for Ø2mm nails.
5. Electrode for Ø2.5mm nails.
6. Washer Electrode.
7. Washer Hook.
8. Heating Electrode.
9. Extension Electrode for use with items 6 & 8.
10. Nails Ø2mm (200).
11. Nails Ø2.5mm (200).
12. Washers Ø16mm (50).



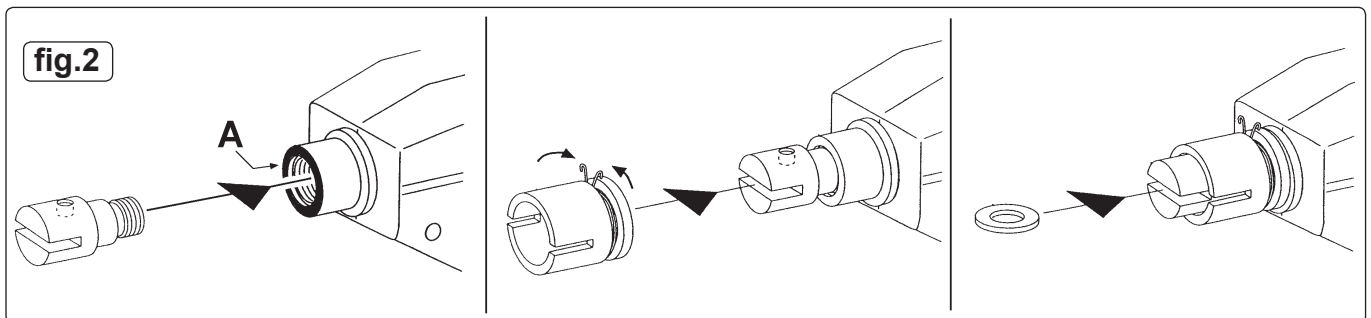
5. APPLICATIONS

5.1. Nails and washers

A nail or washer, depending on accessibility, is welded to a damaged panel to enable the panel to be pulled back into shape with the slide hammer (figs.3 & 4). The washer electrode (fig.1.6) has a magnet to hold the washer in place prior to welding and should be used in conjunction with the extension electrode (fig.1.9 & fig.2). When reshaping is completed, cut and grind off nail or washer to give a smooth finish.

5.2. Heating

The heating electrode (fig.1.8) is used to locally heat and shrink out minor panel defects. This electrode should be used in conjunction with the extension electrode (fig.1.9).



6. OPERATION

- ❑ **WARNING! Ensure that you read and understand the safety instructions in Section 1. Introduction.**

If you are not familiar with the SR20 or with stud welding, we recommend that you practice the following procedure before attempting any actual task. When welding, you will find that the trigger operation time is very short. Leave approximately 1 minute between each use to allow gun to cool. Practice on a scrap panel before attempting the actual work. Proceed as follows:

6.1. Welding.

- 6.1.1. Disconnect from power supply. Screw side handle to left or right side of gun, as required.
- 6.1.2. Attach the appropriate electrode (see Section 5). If using either of the electrodes (figs.1.6 or 1.8), also fit extension electrode (fig.1.9), - see fig.2.

Note: Electrodes are copper, DO NOT over tighten or threads will be damaged.

- 6.1.3. Ensure you check the following before you start:
- Electrodes and the extension electrode must be clean and without defect. Carefully remove any defect with a fine file or abrasive paper.
 - If the electrode is too worn and cannot be repaired, replace with a new one.
 - The panel to be welded must be clean and free from paint, grease and/or rust.
- 6.1.4. Connect the welder to the power supply. Select the item for welding (i.e. nail or washer) and insert into the appropriate electrode. Note that the washer electrode is magnetic to hold the washer in place.
- 6.1.5. With moderate force, press the gun onto the damaged panel surface. The electrode will retract and the outer rim of the carrier (or extension electrode if fitted) will make contact with the workpiece thereby completing the electrical circuit. Keep the gun head at right angles to the panel surface to ensure good contact (fig.3).
- 6.1.6. Squeeze the trigger for no more than half a second, so as not to overheat the fitting to be welded, since this could 'cook' it and make it less resistant against being ripped out.
DO NOT keep the gun in place for too long as it may overheat or burn a hole in the panel.
- 6.1.7. **DO NOT** release the pressure on the welding surface until you have released the trigger or the circuit may be prematurely broken.
- 6.1.8. When the task is complete, disconnect the tool from the power supply and store it in a safe area.
- Note: DO NOT** use the welding gun continuously for long periods at a time, as the gun may overheat.

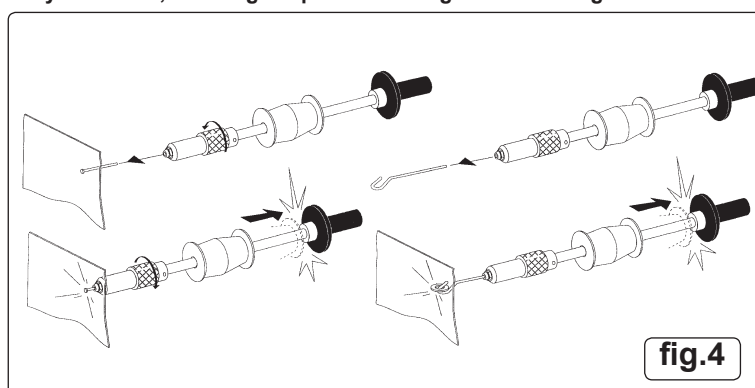
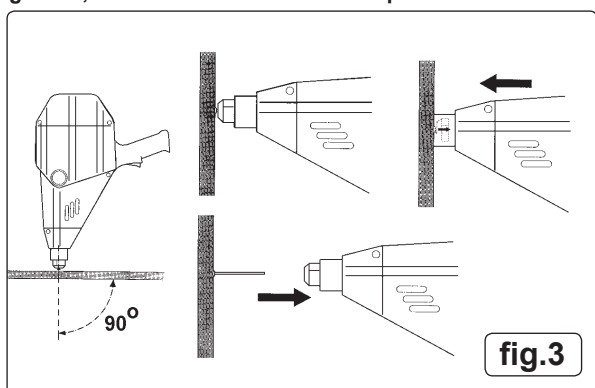
6.2. Slide Hammer.

- 6.2.1. Grip the nail in the slide hammer spindle and then operate the striking hammer until the dent is pulled out. To pull a washer, grip the washer hook (fig.1.7) in the spindle and hook the washer (fig.4).

6.3. Sheet Heating.

- 6.3.1. Use the heating electrode (fig.1.8) and extension (fig.1.9), for localised sheet heating in order to shrink and remove small dents and pimples. Proceed as 6.1. above, omitting 6.1.5. Carefully heat the localised area accordingly.

IMPORTANT! If the electrode, electrode holder, carrier contact face (fig.2.A) and panel are not clean, dry and free from paint, grease, rust etc. - the weld will be poor and the welder may overheat, causing irreparable damage to the casings.



7. MAINTENANCE

- WARNING:** Unplug from the mains power supply before performing maintenance or service.
- 7.1. Check all electrical components as stated in Section 1.
- 7.2. Using a cloth or a brush, regularly clean the transformer cooling slots.
- 7.3. Replace or repair damaged parts. *Use recommended parts only, unauthorised parts may be dangerous and will invalidate the warranty.*
- 7.4. Keep the handgrips of the welder dry, clean and grease free.
- 7.5. Always keep the surfaces of the electrodes and of the electrode holding barrels free from any oil, grease, dust, paint, etc., in order to allow the proper flow of current.
- 7.6. After you have finished using the gun, allow it to cool and then return it, and the accessories, to the case for safe storage.

8. CONSUMABLES

The following items are available through your local Sealey dealer.

Part No.	Description	Part No.	Description
PS/0002	Nails, 2.5mm (pack of 100)	PS/0003500	Nails, 2.0mm (pack of 500)
PS/0002500	Nails, 2.5mm (pack of 500)	PS/000450	Washer, 8mm x 16mm x 1.5mm (pack of 50)
PS/0003	Nails, 2.0mm (pack of 100)		

Environmental Protection

Recycle unwanted materials instead of disposing of them as waste. All tools, accessories and packaging should be sorted, taken to a recycling centre and disposed of in a manner which is compatible with the environment. When the product becomes completely unserviceable and requires disposal, drain off any fluids (if applicable) into approved containers and dispose of the product and the fluids according to local regulations.

WEEE Regulations

Dispose of this product at the end of its working life in compliance with the EU Directive on Waste Electrical and Electronic Equipment (WEEE). When the product is no longer required, it must be disposed of in an environmentally protective way. Contact your local solid waste authority for recycling information.

Parts support is available for this product. To obtain a parts listing and/or diagram, please log on to www.sealey.co.uk, email sales@sealey.co.uk or telephone 01284 757500.

NOTE: It is our policy to continually improve products and as such we reserve the right to alter data, specifications and component parts without prior notice.

IMPORTANT: No liability is accepted for incorrect use of this product.

WARRANTY: Guarantee is 12 months from purchase date, proof of which will be required for any claim.

INFORMATION: For a copy of our latest catalogue and promotions call us on 01284 757525 and leave your full name and address, including postcode.



Sole UK Distributor, Sealey Group,
Kempson Way, Suffolk Business Park,
Bury St. Edmunds, Suffolk,
IP32 7AR

01284 757500
01284 703534

www.sealey.co.uk
sales@sealey.co.uk