

Thank you for purchasing a Sealey product. Manufactured to a high standard this product will, if used according to these instructions and properly maintained, give you years of trouble free performance.

⚠ IMPORTANT: PLEASE READ THESE INSTRUCTIONS CAREFULLY. NOTE THE SAFE OPERATIONAL REQUIREMENTS, WARNINGS & CAUTIONS. USE THE PRODUCT CORRECTLY AND WITH CARE FOR THE PURPOSE FOR WHICH IT IS INTENDED. FAILURE TO DO SO MAY CAUSE DAMAGE AND/OR PERSONAL INJURY AND WILL INVALIDATE THE WARRANTY. PLEASE KEEP INSTRUCTIONS SAFE FOR FUTURE USE.

Only fully trained and qualified persons should use this equipment. These instructions are not a substitute for user receiving full supervised training by a qualified person. It is important the user understands the applications, limitations and potential hazards of the product.

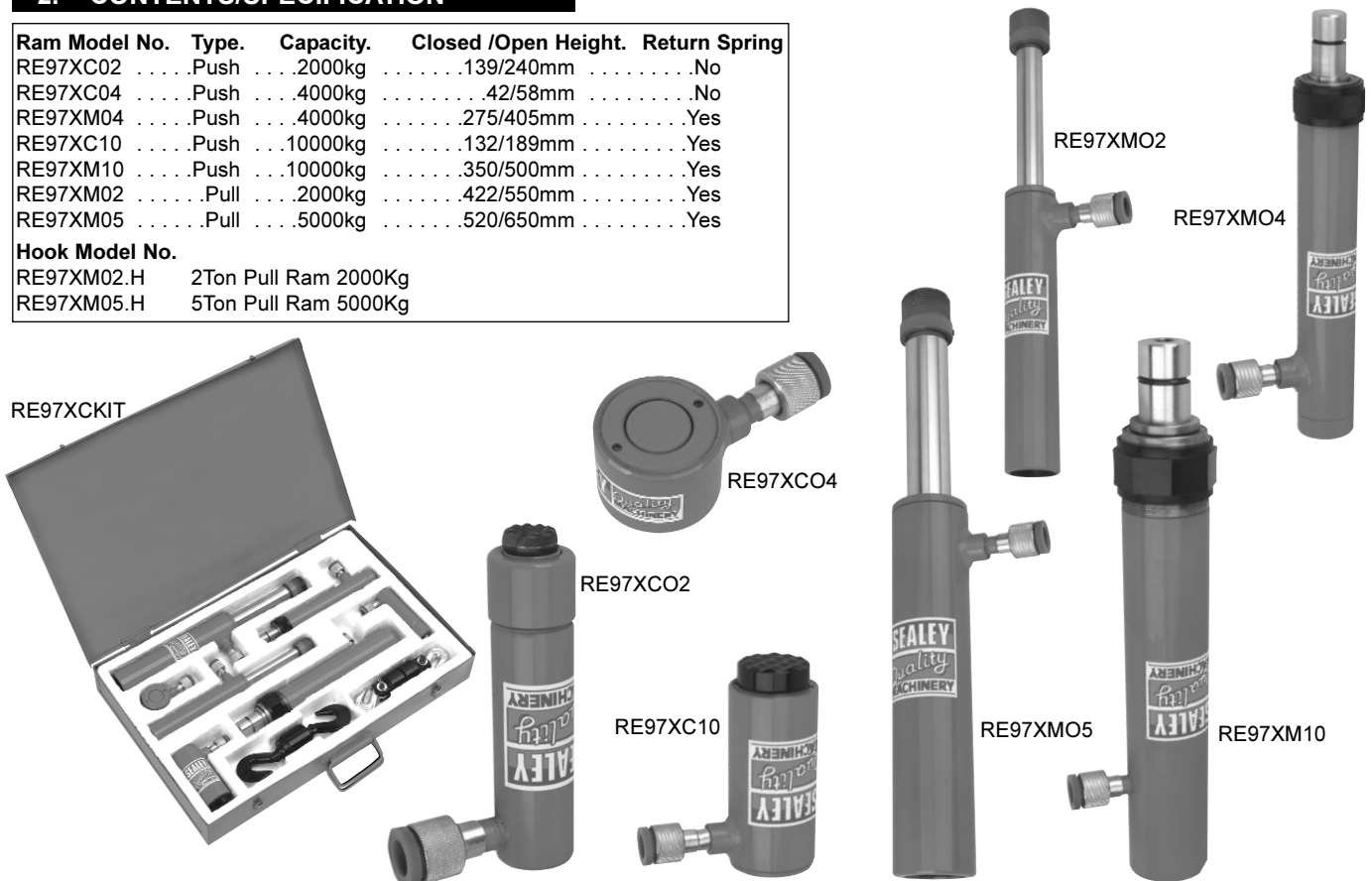
1. SAFETY INSTRUCTIONS

- ❑ **WARNING!** Ensure Health & Safety, local authority and general workshop practice regulations are adhered to when using this equipment.
- ✓ Familiarise yourself with product application and limitations, as well as the specific hazards peculiar to the kit.
- ❑ **WARNING!** Disconnect the ram from the hydraulic pump before servicing or performing any maintenance on the unit.
- ✓ Maintain kit in good order. Replace/repair with *genuine parts only*. *Unauthorised parts may be dangerous and will invalidate the warranty.*
- ✓ Use qualified person to lubricate and maintain the ram.
- ✓ Keep the repair kit clean for best and safest performance.
- ❑ **WARNING! Ensure you know how much load you are pushing/pulling. Never exceed the maximum pushing/pulling capacity.**
- ✓ Use only with Sealey hydraulic pump and accessories. Wrong equipment may damage unit and invalidate your warranty.
- ✓ The kit accessories may be used with other popular makes of kit.
- ✓ We recommend the use of BS approved safety impact goggles and heavy duty gloves when working with this kit. Both are available from your authorised Sealey dealer.
- ✓ Maintain correct balance and footing. Ensure the floor is not slippery and wear non-slip shoes.
- ✓ If working on an 'off centre' load, pump with care. If you feel undue resistance, stop and re-adjust the set-up.
- ❑ **WARNING! Keep your hands, body and clothing away from the kit and accessories when in use. Take any necessary precautions to protect your personal safety whilst using the repair kit.**
- Always be prepared for unexpected load movement, never place yourself or any part of your body in a position that could result in injury. Always use a crowbar or similar device to manoeuvre the load.**
- ✓ Ensure the hydraulic hose is not bent or kinked but laid out correctly. Avoid damage to the hose (e.g. crushing/cutting).
- ✓ Keep non-essential persons away from the operating area. Be aware of the locations of other persons assisting you.
- ✓ When releasing tension from the load be sure to undo the hydraulic valve VERY slowly.
- x **DO NOT** operate the kit if any parts are damaged or missing as this may cause failure and/or personal injury.
- ❑ **WARNING! DO NOT use for any purpose other than for that which it is designed.**
- x **DO NOT** heat accessories as this may weaken them.
- x **DO NOT** modify accessories for use with this kit.
- ✓ When not in use, place dust cap in end of hydraulic hose and store the kit, in the case, in a safe, dry, childproof location.

2. CONTENTS/SPECIFICATION

Ram Model No.	Type	Capacity	Closed /Open Height	Return Spring
RE97XC02	Push	2000kg	.139/240mm	No
RE97XC04	Push	4000kg	.42/58mm	No
RE97XM04	Push	4000kg	.275/405mm	Yes
RE97XC10	Push	10000kg	.132/189mm	Yes
RE97XM10	Push	10000kg	.350/500mm	Yes
RE97XM02	Pull	2000kg	.422/550mm	Yes
RE97XM05	Pull	5000kg	.520/650mm	Yes

Hook Model No.	Capacity
RE97XM02.H	2Ton Pull Ram 2000Kg
RE97XM05.H	5Ton Pull Ram 5000Kg



3. INTRODUCTION

Comprehensive set of mini, midi and maxi sized push and pull rams. Suitable for many applications including workshop, agricultural, industrial and construction where lifting, pushing positioning, bending and holding heavy loads may be required. Use in conjunction with 610/40 or 604/40 Hydraulic pump and 610/42 or 604/42 hose (not supplied). Supplied in a steel carry case. Only fully trained and qualified persons should use this equipment. It is very important that the user understands the applications, limitations and specific hazards of the product.

RE97XCM02 with hooks fitted.



4. INSTRUCTIONS FOR USE

- WARNING! Ensure you have read and understood chapter 1 safety instructions.**

Note: These instructions are intended to provide a guide to the basic operation of the kit and are in no way intended to replace the advice/instruction of a qualified specialist.

Only fully trained persons should use this equipment.

- Remove plug from ram connector (retain plug to reseal connector after use).
- Connect to suitable hydraulic pump (see section 3).
- Position the ram as required and operate the pump.

RE97XCM05 with hooks fitted



IMPORTANT: Always store the ram with the piston fully retracted to help prevent corrosion (not applicable to pull rams, the pistons of which should be coated in jack oil before storage). Rams with signs of rust on the main piston cannot be replaced under warranty.

5. MAINTENANCE

IMPORTANT: Only fully qualified personnel should attempt maintenance or repair to the hydraulic system.

- WARNING! DO NOT** use brake fluid, or any fluid other than hydraulic jack fluid, as this may cause serious damage to the ram and will invalidate the warranty! Use only Sealey hydraulic oil.

5.1 General

Before each use check for broken, cracked, bent, or loose parts, or any visible damage to welds, ram, pump, hose and accessories. If any suspect item is found remove from service and take necessary action to remedy the problem. Replace/repair with *genuine parts only*. *Unauthorised parts may be dangerous and will invalidate the warranty*. Keep all parts of the kit clean - use only a mild detergent and a damp cloth. DO NOT use solvents.

Note: A small amount of oil around ram seal is normal - a thicker layer of oil may be deposited onto the ram initially, due to the ram seals bedding in. Hydraulic couplings will weep a small amount of oil, particularly if ram is under pressure when coupling is released - this is normal.

IMPORTANT: NO RESPONSIBILITY IS ACCEPTED FOR INCORRECT USE OF THE RAM.

Hydraulic products are only repaired by local service agents. We have service/repair agents in all parts of the UK.

DO NOT RETURN RAM TO US. Please telephone us on 01284 757500 to obtain the address and phone number of your local agent. If product is under guarantee please contact your dealer.

De-commissioning Hydraulic Ram

Should the ram become completely unserviceable draw off the oil into an approved container and dispose of the product and the oil according to local regulations.

Declaration of Conformity

We, the sole importer into the UK, declare that the product listed below is in conformity with the following standards and directives.

SPECIALIST PUSH AND PULL RAM SET

Model: RE97XCKIT

98/37/EC Machinery Directive
93/68/EEC CE Marking Directive



The construction file for this product is held by the Manufacturer and may be inspected, by a national authority, upon request to Jack Sealey Ltd.

Signed by Mark Sweetman

1st November 2004

For Jack Sealey Ltd.
Sole importer into the UK
of Sealey Power Products.

NOTE: It is our policy to continually improve products and as such we reserve the right to alter data, specifications and component parts without prior notice.

IMPORTANT: No liability is accepted for incorrect use of product. **WARRANTY:** Guarantee is 12 months from purchase date, proof of which will be required for any claim. **INFORMATION:** For a copy of our latest catalogue and promotions call us on 01284 757525 and leave your full name and address, including postcode.



Sole UK Distributor,
Sealey Group,
Bury St. Edmunds, Suffolk.

01284 757500

01284 703534

sales@sealey.co.uk



www.sealey.co.uk