

Thank you for purchasing a Sealey product. Manufactured to a high standard this product will, if used according to these instructions and properly maintained, give you years of trouble free performance.



IMPORTANT: PLEASE READ THESE INSTRUCTIONS CAREFULLY. NOTE THE SAFE OPERATIONAL REQUIREMENTS, WARNINGS & CAUTIONS. USE THE PRODUCT CORRECTLY AND WITH CARE FOR THE PURPOSE FOR WHICH IT IS INTENDED. FAILURE TO DO SO MAY CAUSE DAMAGE AND/OR PERSONAL INJURY AND WILL INVALIDATE THE WARRANTY. PLEASE KEEP INSTRUCTIONS SAFE FOR FUTURE USE.

1. SAFETY INSTRUCTIONS

- WARNING! Ensure Health & Safety, local authority, and general workshop practice regulations are adhered to when using this equipment.
- WARNING! Disconnect from air supply before changing engraving tips, or servicing ,or performing any maintenance.
- Maintain the engraver in good condition (use an authorised service agent).
- Replace or repair damaged parts. Use genuine parts only. Unauthorised parts may be dangerous and will invalidate the warranty.
- Use in a suitable work area. Keep area free from unrelated materials and ensure that there is adequate lighting.
- Before each use check condition of engraving tip. Sharpen if necessary. If worn or damaged replace immediately.
- Ensure there are no flammable or combustible materials near the work area.
- WARNING! Always wear approved eye (or face) and hand protection when operating the engraver.
- Use face, dust, or respiratory protection in accordance with COSHH regulations.
- Remove ill fitting clothing. Remove ties, watches, rings, other loose jewellery and contain and/or tie back long hair.
- Wear appropriate protective clothing and keep hands and body clear of working parts.
- Maintain correct balance and footing. Do not over reach, ensure the floor is not slippery, wear non-slip shoes.
- Keep children and unauthorised persons away from the working area.
- Check moving parts alignment on a regular basis.
- Ensure workpiece is secure before operating the engraver.
- Avoid unintentional starting.
- WARNING! Ensure correct air pressure is maintained and not exceeded. Max air pressure = 60PSI
- Keep air hose away from heat, oil and sharp edges. Check air hose for wear before each use and ensure that all connections are secure.
- Prolonged exposure to vibration from this equipment poses a health risk. It is the owner's responsibility to correctly assess the potential hazard and issue guidelines for safe periods of use and offer suitable protective equipment.
- DO NOT** use the engraver for a task it is not designed to perform.
- DO NOT** operate the engraver if any parts are damaged or missing as this may cause failure and/or personal injury.
- DO NOT** carry the engraver by the hose, or yank the hose from the air supply.
- DO NOT** force, or apply heavy pressure to the engraver; let the tool do the work.
- DO NOT** place air line attachments close to your face and do not point at other people or animals.
- DO NOT** operate engraver when you are tired, under the influence of alcohol, drugs or intoxicating medication.
- DO NOT** use engraver where there are flammable liquids, solids or gases such as paint solvents and including waste wiping or cleaning rags etc.
- DO NOT** direct air from the air line at yourself or others.
- When not in use disconnect from air supply and store in a safe, dry, childproof location.

2. OPERATION

- 2.1 Check that the outer sleeve of the ON/OFF valve is set in the "OFF" position.
- 2.2 Connect the tool to an air supply. Pressure must be between 40-60 PSI.
- 2.3 Switch the engraver on and check the pressure by testing on scrap material. The pressure should be adjusted to suit the material being worked on. The life of the tool will be extended if the pressure is kept to the minimum required by each workpiece.
- 2.4 For consistent performance, the engraving tip must have a sharp point.

3. MAINTENANCE

- 3.1 Position clamp blocks on the body (recommended position shown in parts diagram) and clamp in a vice.
 - 3.2 Unscrew the nose (1) and withdraw the spring (2) , stylus (3) and the distance tube (4),
 - 3.3 Unscrew the ON/OFF valve (14) and withdraw the air filter (8).
 - 3.4 Using a clean length of rod push it very carefully through the air inlet to remove the cylinder and piston assembly (6).
 - 3.5 The tip of the stylus may be re-ground using a Green Silicone Carbide stone, grind to an angle of 60°.
 - 3.6 Clean components, replace parts as necessary, then assemble the engraver by reversing the process.
- WARNING! The nose (1) should be tightened to a torque of: 38lbf.in₂ (4.3Nm).

NOTE: It is our policy to continually improve products and as such we reserve the right to alter data, specifications and component parts without prior notice.

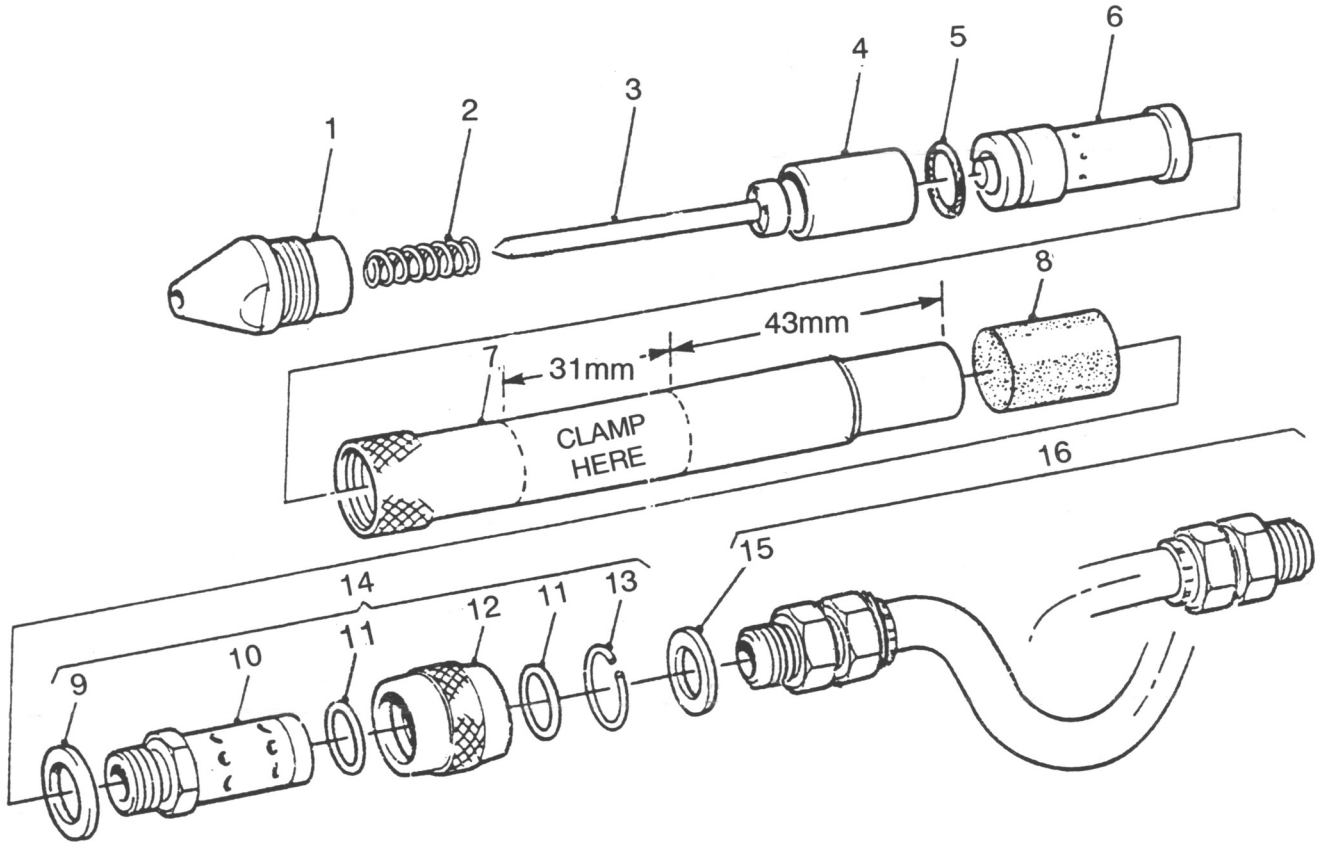
IMPORTANT: No liability is accepted for incorrect use of this product.

WARRANTY: Guarantee is 12 months from purchase date, proof of which will be required for any claim.

INFORMATION: For a copy of our latest catalogue and promotions call us on 01284 757525 and leave your full name and address, including postcode.



Issue: 1
Issue date: 030903



Item	Part No.	Description
1	SA96/1	Nose
2	SA96/2	Spring
3	SA96/3	Stylus
4	SA96/4	Distance tube
5	SA96/5	"O" Ring
6	SA96/6	Cylinder and piston assembly
7	SA96/7	Body
8	SA96/8	Air filter
9	SA96/9	Nylon washer
10	SA96/10	Valve stem
11	SA96/11	"O" Ring
12	SA96/12	Valve sleeve
13	SA96/13	Circlip
14	SA96/14	Valve complete - ON/OFF
15	SA96/15	"O" Ring
16	SA96/16	Hose complete - 2 metre