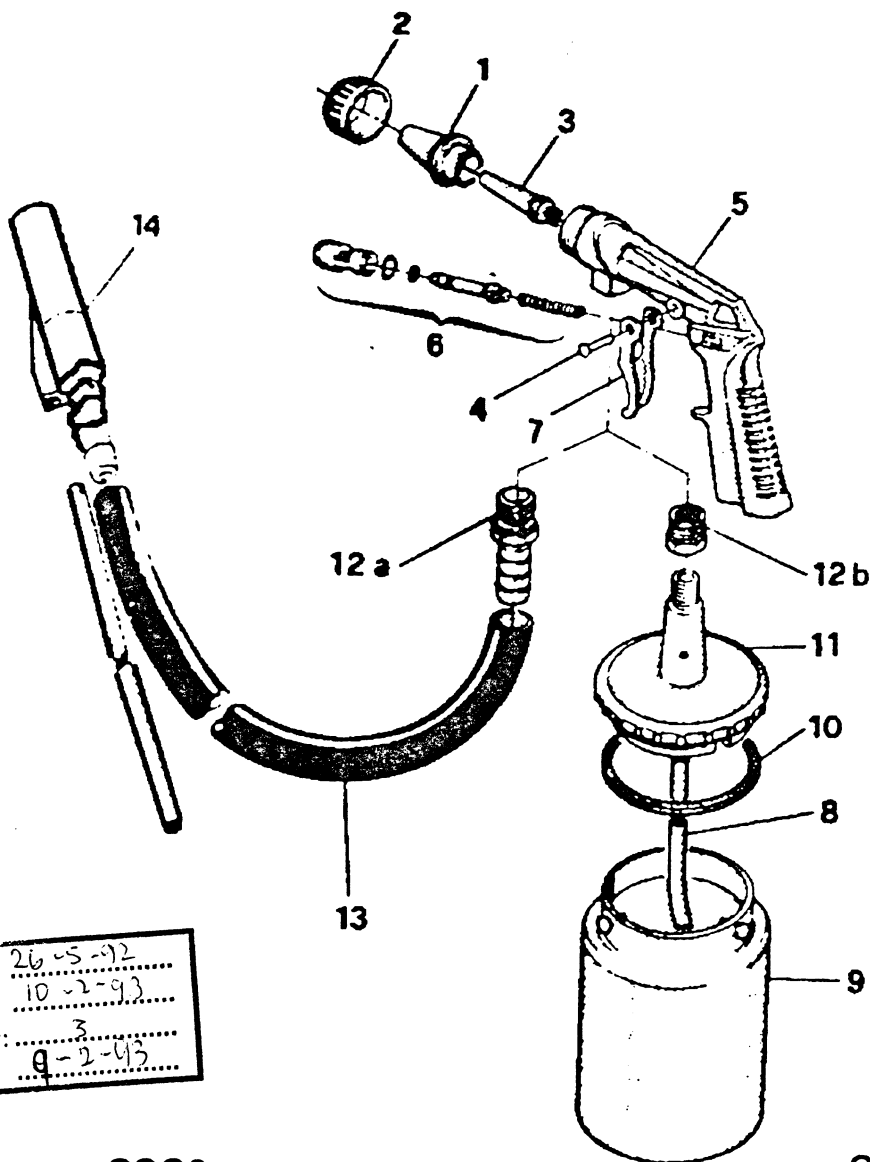


SSG8/SSG9 SANDBLASTING GUN



| | |
|-----------------|---------|
| Original Date: | 26-5-92 |
| Issue Date: | 10-2-93 |
| Version Number: | 3 |
| Date Modified: | 9-2-93 |

SSG8

SSG9

- | | | |
|-----|--------------|---------------|
| 1 | 142/BT098029 | NOZZLE Ø6 |
| 2 | 142/BI118010 | RETAINER RING |
| 3 | 142/BS088116 | NOZZLE, INNER |
| 4 | 142/BF088243 | RIVET |
| 5 | 142/BU088117 | BODY |
| 6 | 142/BH058042 | VALVE |
| 7 | 142/BL058001 | TRIGGER |
| 8 | 142/BT088119 | DIP TUBE |
| 9 | 142/BL088299 | TANK |
| 10 | 142/BC088276 | LID GASKET |
| 11 | 142/BU088121 | POT LID |
| 12a | 142/BS088330 | ADAPTOR, TANK |

- | | | |
|-----|--------------|---------------|
| 1 | 142/BT098029 | NOZZLE Ø6 |
| 2 | 142/BI118010 | RETAINER RING |
| 3 | 142/BS088116 | NOZZLE, INNER |
| 4 | 142/BF088243 | RIVET |
| 5 | 142/BU088117 | BODY |
| 6 | 142/BH058042 | VALVE |
| 7 | 142/BL058001 | TRIGGER |
| 12a | 142/BS098033 | ADAPTOR, HOSE |
| 13 | 142/BU098037 | PICK-UP TUBE |
| 14 | 142/BH098386 | DIP TUBE |

