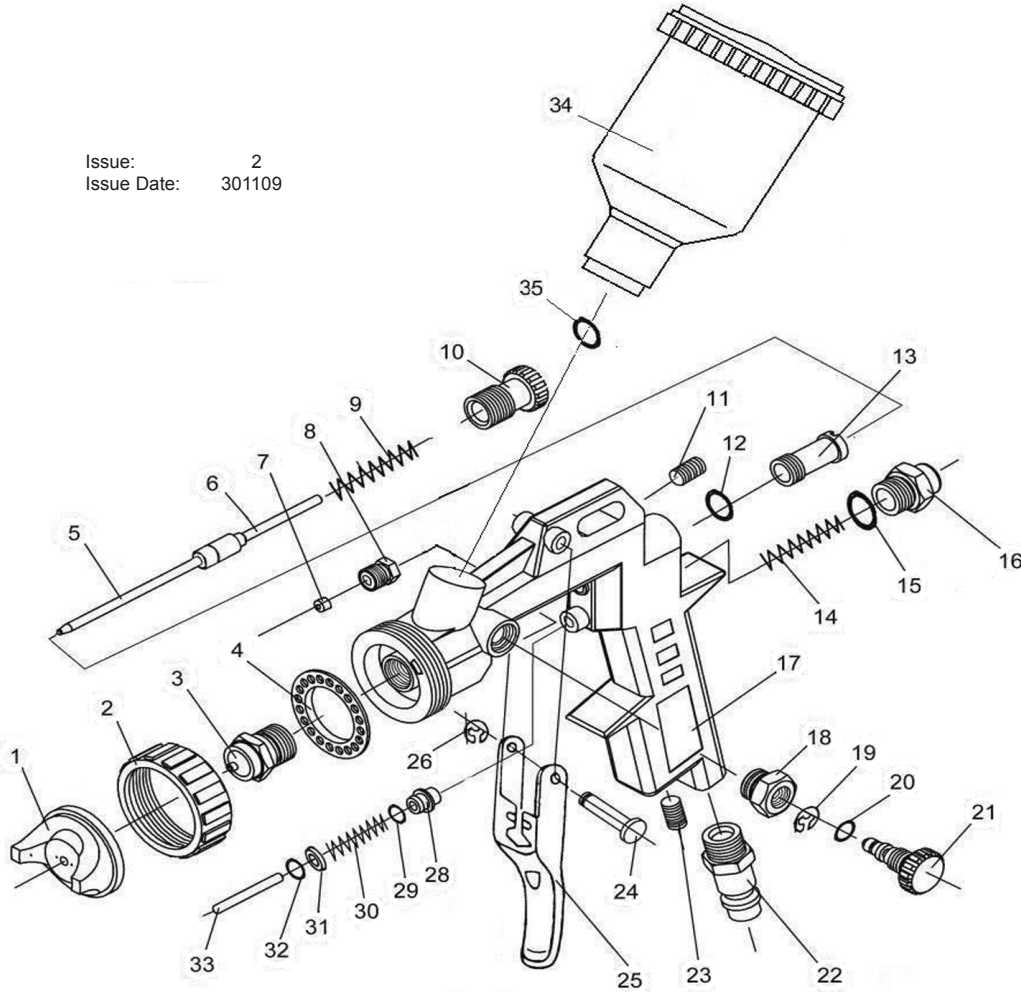


Issue: 2  
 Issue Date: 301109



ITEM	PART NO	DESCRIPTION	ITEM	PART NO	DESCRIPTION
1	SSG401.V2-01B	AIR CAP (1.8mm)	15	SSG401.V2-15	O-RING
	SSG401.V2-01	AIR CAP (1.5mm)	16	SSG401.V2-16	PACKING SEAT
	SSG401.V2-01A	AIR CAP (1.2mm)	17	SSG501.V3-17	GUN BODY
	SSG401.V2-01C	AIR CAP (2.0mm)	18	SSG401.V2-18	PACKING SEAT
	SSG401.V2-01D	AIR CAP (2.2mm)	19	SSG401.V2-19	STOP RING
	SSG401.V2-01E	AIR CAP (2.5mm)	20	SSG401.V2-20	O-RING
2	SSG401.V2-02	AIR CAP RETAINING RING	21	SSG401.V2-21	FLUID ADJUSTING SCREW
3	SSG401.V2-03B	FLUID NOZZLE (1.8mm)	22	SSG401.V2-22	AIR JOINT
	SSG401.V2-03	FLUID NOZZLE (1.5mm)	23	SSG401.V2-23	SCREW
	SSG401.V2-03A	FLUID NOZZLE (1.2mm)	24	SSG401.V2-24	TRIGGER STUD
	SSG401.V2-03C	FLUID NOZZLE (2.0mm)	25	SSG401.V2-25	TRIGGER
	SSG401.V2-03D	FLUID NOZZLE (2.2mm)	26	SSG401.V2-26	STOP RING
	SSG401.V2-03E	FLUID NOZZLE (2.5mm)	28	SSG401.V2-28	AIR VALVE
4	SSG401.V2-04	GASKET	29	SSG401.V2-29	O-RING
5	SSG401.V2-05B	FLUID NEEDLE (1.8mm)	30	SSG401.V2-30	PACKING SPRING
	SSG401.V2-05	FLUID NEEDLE (1.5mm)	31	SSG401.V2-31	GASKET
	SSG401.V2-05A	FLUID NEEDLE (1.2mm)	32	SSG401.V2-32	O-RING
	SSG401.V2-05C	FLUID NEEDLE (2.0mm)	33	SSG401.V2-33	AIR VALVE ROD
	SSG401.V2-05D	FLUID NEEDLE (2.2mm)	34	SSG501.V3-34	GRAVITY FEED CUP
	SSG401.V2-05E	FLUID NEEDLE (2.5mm)	35	SSG501.V3-35	O-RING
6	SSG401.V2-06	SPRING AXIS			
7	SSG401.V2-07	PACKING			
8	SSG401.V2-08	PACKING SEAT			
9	SSG401.V2-09	FLUID NEEDLE SPRING			
10	SSG401.V2-10	FLUID ADJUSTMENT KNOB			
11	SSG401.V2-11	PLUG-IN SCREW			
12	SSG401.V2-12	O-RING			
13	SSG401.V2-13	FLUID ADJUSTMENT GUIDE			
14	SSG401.V2-14	AIR VALVE SPRING			

**OPTIONAL SET-UPS**

SSG401V2-S1.2	SSG401-SSG501 SET-UP 1.2mm (includes parts: 01A,02,03A & 05A)
SSG401V2-S1.5	SSG401-SSG501 SET-UP 1.5mm (includes parts: 01,02,03 & 05)
SSG401V2-S1.8	SSG401-SSG501 SET-UP 1.8mm (includes parts: 01B,02,03B & 05B)
SSG401V2-S2.0	SSG401-SSG501 SET-UP 2.0mm (includes parts: 01C,02,03C & 05C)
SSG401V2-S2.2	SSG401-SSG501 SET-UP 2.2mm (includes parts: 01D,02,03D & 05D)
SSG401V2-S2.5	SSG401-SSG501 SET-UP 2.5mm (includes parts: 01E,02,03E & 05E)

**NOTE:** It is our policy to continually improve products and as such we reserve the right to alter data, specifications and component parts without prior notice.

**IMPORTANT:** No liability is accepted for incorrect use of product.

**WARRANTY:** Guarantee is 12 months from purchase date, proof of which will be required for any claim.

**INFORMATION:** For a copy of our latest catalogue and promotions call us on 01284 757525 and leave your full name and address, including postcode.