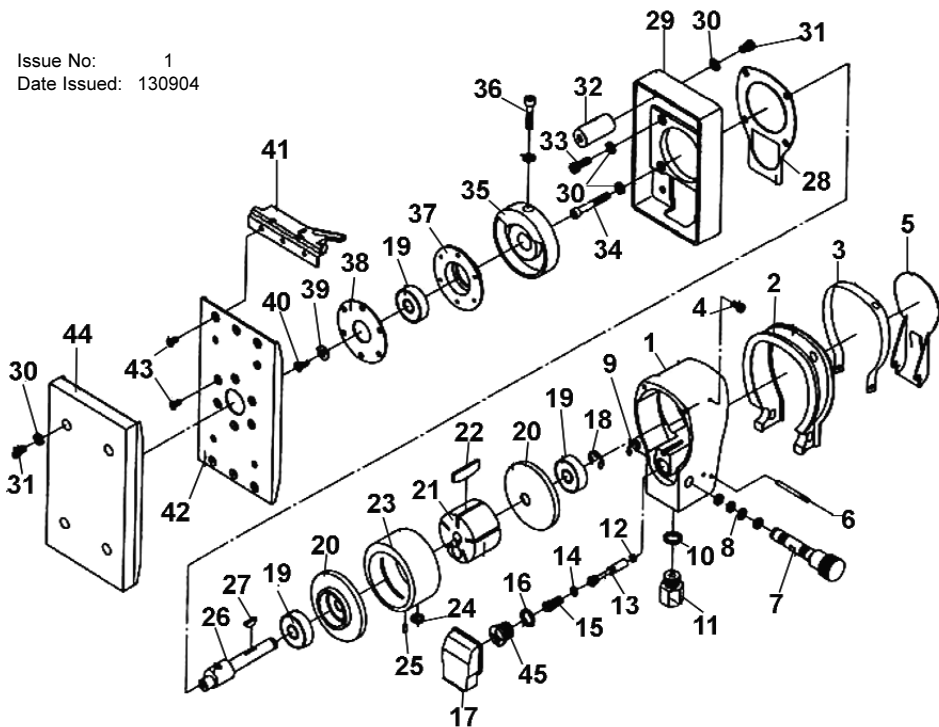


Issue No: 1
Date Issued: 130904



Item	Part No.	Description	Item	Part No.	Description
1	SA22.V3-01	HOUSING	24	SA22.V3-24	O-RING
2	SA22.V3-02	RUBBER GRIP	25	SA22.V3-25	LOCATING PIN
3	SA22.V3-03	GRIP BAND	26	SA22.V3-26	ROTOR SHAFT
4	SA22.V3-04	GRIP SCREW	27	SA22.V3-27	KEY
5	SA22.V3-05	LEVER	28	SA22.V3-28	GASKET
6	SA22.V3-06	PIN	29	SA22.V3-29	BASE
7	SA22.V3-07	SPEED REGULATOR	30	SA22.V3-30	LOCK WASHER
8	SA22.V3-08	O-RING	31	SA22.V3-31	MOUNT SCREW
9	SA22.V3-09	RETAINING RING	32	SA22.V3-32	RUBBER MOUNT
10	SA22.V3-10	O-RING	33	SA22.V3-33	CAP SCREW
11	SA22.V3-11	AIR INLET	34	SA22.V3-34	CAP SCREW
12	SA23S.V3-02	O-RING	35	SA22.V3-35	BALANCER
13	SA22.V3-13	VALVE STEM	36	SA22.V3-36	BALANCER LOCK SCREW
14	SA23S.V3-03	O-RING	37	SA22.V3-37	BEARING HOUSING
15	SA22.V3-15	SPRING	38	SA22.V3-38	BEARING PLATE
16	SA22.V3-16	O-RING	39	SA22.V3-39	WASHER
17	SA22.V3-17	FOAM MUFFLING	40	SA22.V3-40	SHAFT LOCK SCREW
18	SA22.V3-18	RETAINING RING	41	SA22.V3-41	PAPER CLAMP ASSEMBLY
19	SA22.V3-19	BEARING	42	SA22.V3-42	PAD BACKING PLATE
20	SA22.V3-20	END PLATE	43	SA22.V3-43	BEARING HOUSING SCREW
21	SA22.V3-21	ROTOR	44	SA22.V3-44	SANDING PAD
22	SA22.V3-22	ROTOR BLADE	45	SA22.V3-45	VALVE PLUG
23	SA22.V3-23	CYLINDER			

Thank you for purchasing a Sealey Product. Manufactured to a high standard this product will, if used according to these instructions and properly maintained, give you years of trouble free performance.

⚠ IMPORTANT: PLEASE READ THESE INSTRUCTIONS CAREFULLY. NOTE THE SAFE OPERATIONAL REQUIREMENTS, WARNINGS AND CAUTIONS. USE THIS PRODUCT CORRECTLY AND WITH CARE FOR THE PURPOSE FOR WHICH IT IS INTENDED. FAILURE TO DO SO MAY CAUSE DAMAGE AND/OR PERSONAL INJURY AND WILL INVALIDATE THE WARRANTY. PLEASE KEEP INSTRUCTIONS SAFE FOR FUTURE USE.

1. SAFETY INSTRUCTIONS

- WARNING!** Ensure Health & Safety, local authority and general workshop practice regulations are adhered to when using this equipment.
- WARNING!** Disconnect from air supply before changing accessories or servicing.
- ✓ Maintain the sander in good condition (use an authorised service agent).
- ✓ Replace or repair damaged parts. Use genuine parts only. Unauthorised parts may be dangerous and will invalidate the warranty.
- ✓ Use in a suitable, clean and tidy work area. Ensure that there is adequate lighting.
- ✓ Before each use check abrasive pad for condition. If worn or damaged replace immediately.
- ✓ Ensure that the correct abrasive pad size is used.
- ✓ Ensure that there are no flammable or combustible materials near the work area.
- WARNING!** Always wear approved eye or face and hand protection when operating the sander.
- ✓ Use face, dust, or respiratory protection in accordance with COSHH regulations.
- ✓ Depending on the task, sander noise level may exceed 85dB in which case wear safety ear defenders.
- ✓ Remove ill fitting clothing. Remove ties, watches, rings and other loose jewellery. Contain and/or tie back long hair.
- ✓ Wear appropriate protective clothing and keep hands and body clear of working parts.
- ✓ Maintain correct balance and footing. Ensure the floor is not slippery and wear non-slip shoes.
- ✓ Keep children and unauthorised persons away from the work area.
- ✓ Ensure that workpiece is secure before operating the sander. Never hold a workpiece by hand.
- ✓ Check the workpiece to ensure that there are no protruding screws, bolts, nuts, nails, stones, etc.
- ✓ Avoid unintentional starting.
- WARNING!** Ensure correct air pressure is maintained and not exceeded. Recommended pressure is 70-90psi.
- ✓ Keep air hose away from heat, oil and sharp edges. Check air hose for wear before each use and ensure that all connections are secure.
- ✓ Prolonged exposure to vibration from this sander poses a health risk. It is the owner's responsibility to correctly assess the potential hazard and issue guidelines for safe periods of use and offer suitable protective equipment.
- x DO NOT use the sander for a task it is not designed to perform.
- x DO NOT operate sander if any parts are damaged or missing as this may cause failure and/or personal injury.
- WARNING!** DO NOT sand any materials containing asbestos.
- x DO NOT carry the sander by the hose, or yank the hose from the air supply.
- x DO NOT force, or apply heavy pressure to the sander. Let the sander do the work.
- x DO NOT place air attachments close to your face and do not point at other persons or animals.
- x DO NOT operate sander when you are tired or under the influence of alcohol, drugs or intoxicating medication.
- x DO NOT use sander where there are flammable liquids, solids or gases such as paint solvents and including waste wiping or cleaning rags etc.
- x DO NOT carry the sander with your hand on the power lever.
- x DO NOT direct air from the air hose at yourself or others.

NOTE: It is our policy to continually improve products and as such we reserve the right to alter data, specifications and component parts without prior notice. **IMPORTANT:** No liability is accepted for incorrect use of this equipment. **WARRANTY:** Guarantee is 12 months from purchase date, proof of which will be required for any claim. **INFORMATION:** For a copy of our latest catalogue and promotions call us on 01284 757525 and leave your full name and address, including postcode.

1.2. LEAD PAINT WARNING!

Paint once contained lead as a traditional ingredient. Contact with the dust from the removal of such paint is toxic and must therefore be avoided. The following action must be taken before using the sander on a surface that you suspect may contain lead paint.

1. User must determine potential hazard relating to age of paint to be removed. (Modern paints do not have lead content).
2. **DANGER!** Keep all persons and pets away from the work area. The following are particularly vulnerable to the effects of lead paint dust: *Pregnant women, babies and children.*
3. We recommend personal protection by using the following safety items:
 - a) Paint Spray Respirator (Our ref SSP16EN)
 - b) PE Coated Hooded Coverall (Our ref SSP266).
 - c) Latex Gloves (Our ref SSP24).
4. Take adequate measures to contain the paint dust, flakes and scrapings.
5. Continue to wear safety equipment as in (3) above and thoroughly clean all areas when task is complete. Ensure paint waste is disposed of, in sealed bags or containers, according to local regulations.

Risk of Hand Arm Vibration Injury

Flat Bed Air Sander SA22.V3, when operated in accordance with these instructions and tested in accordance with EN 28662-2: 1994 results in the following vibration emission declared in accordance with BS EN12096: 1996.

Measured vibration emission value: 4.7m/s²
 Uncertainty: 1.88m/s²

These values are suitable for comparison with emission levels of other tools that have been subject to the same test.

This tool may cause hand-arm vibration syndrome if its use is inadequately managed.

Recommended Measures to reduce risk of hand-arm vibration syndrome:

This tool should not be used by an individual regularly for more than 4.6hrs in any 8 hour period.
 This duration of use should be reduced if the individual is exposed to hand-arm vibration from other sources.

2. INTRODUCTION & SPECIFICATION

The SA22.V3 has a counter-balanced drive shaft for smooth operation. Palm-type trigger with rubber head rings allows for comfortable one-handed operation.

Pad Size170x95mm	Air Inlet1/4" BSP
Free Speed8000rpm	Sound91.8dB(A) 89.0dB(C)
OrbitØ5mm	Vibration Level4.7m/s ²
Operating Pressure90psi	Weight2kg
Air Consumption6cfm		

3. PREPARING SANDER FOR USE

3.1. Air Supply

Recommended hook-up is shown in fig. 1.

- 3.1.1. Ensure the sander air valve (or throttle) is in the "Off" position before connecting to the air supply.
- 3.1.2. You will require an air pressure between 70-90psi, and an air flow of 5cfm.
- 3.1.3. **WARNING!** Ensure that the air supply is clean and **does not exceed 90 psi** while operating the sander. Too high an air pressure and/or unclean air will shorten the product life due to excessive wear and may be dangerous causing damage and/or personal injury.
- 3.1.4. Drain the air tank daily. Water in the air line will damage the sander **and will invalidate your warranty.**
- 3.1.5. Clean air inlet filter weekly.
- 3.1.6. Line pressure should be increased to compensate for unusually long air hoses (over 8 metres). The minimum hose and fittings internal diameter should be 1/4" I.D.
- 3.1.7. Keep hoses away from heat, oil and sharp edges. Check hoses for wear and make certain that all connections are secure.

3.2. Couplings

Vibration may cause failure if a quick connect coupling is connected directly to the air sander. To overcome this, connect a leader hose to the sander. A quick connect coupling may then be used to connect the leader hose to the air line recoil hose. See figs. 1 & 2.

fig. 1

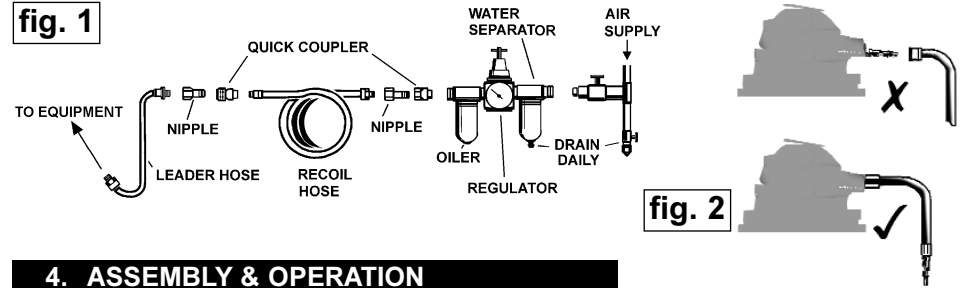


fig. 2

4. ASSEMBLY & OPERATION

- WARNING!** Ensure you read, understand and apply safety instructions before use.

4.1. Assembly

- 4.1.1. Open front paper clamp and insert the end of the sanding paper. Release clamp lever to hold paper in place. Repeat with rear clamp, ensuring that the sanding paper is tight against the sanding pad.
- 4.1.2. Connect air supply to sander, press the control valve lever and check that the sander is working correctly.

4.2. Operation

Always use a sanding paper appropriate for the job. Work progressively from coarse grades to finer grades. DO NOT go from coarse to fine in one step as it may be difficult to remove swirl marks left by the coarse grit. DO NOT apply excessive pressure, let the sander do the work for you. Start the sander and bring it to the work surface evenly and slowly. Move the sander back and forth in overlapping areas. Remove the sander from the work surface before stopping the sander. Regularly check the sanding paper for wear and always change if cracked or damaged.

DO NOT allow sander to run in "idle" for an extended period of time as this will shorten bearing life.

5. MAINTENANCE

- WARNING!** Disconnect sander from air supply before changing accessories, servicing or performing maintenance. Replace or repair damaged parts. *Use genuine parts only. Unauthorised parts may be dangerous and will invalidate the warranty.*
- 5.1. If the air supply does not have an oiler, lubricate the sander daily with a few drops of good grade air tool oil, such as Sealey ATO/500 or ATO/1000, dripped into the air inlet before use.
 - 5.2. Clean the sander after use and change pads when required.
 - 5.3. Loss of power or erratic action may be due to the following:
 - a) Excessive drain on the air line. Moisture or restriction in the air pipe. Incorrect size or type of hose connectors. To remedy check the air supply and follow instructions in Section 3.
 - b) Grit or gum deposits in the sander may also reduce performance. If your model has an air strainer (located in the area of the air inlet), remove the strainer and clean it. Flush the sander with gum solvent oil or an equal mixture of SAE 10 oil and kerosene. Allow to dry before use.
 - 5.4. If you continue to experience problems, contact your local Sealey service agent.
 - 5.4. When not in use, disconnect sander from the air supply, clean and store in a safe, dry, childproof location.

Declaration of Conformity

CE We, the sole importer into the UK, declare that the product listed here is in conformity with the following standards and directives. The construction file for this product is held by the manufacturer and may be inspected, by a national authority, upon request to Jack Sealey Ltd.

**Air Operated Orbital Sander
 Model: SA22.V3**

98/37/EC Machinery Directive
 93/68/EEC Marking Directive

Signed by Mark Sweetman

10th September 2004

For Jack Sealey Ltd. Sole importer into the UK of
 Sealey Power Tools.



Sole UK Distributor
 Sealey Group,
 Bury St. Edmunds, Suffolk.

01284 757500
 01284 703534

www.sealey.co.uk
 sales@sealey.co.uk