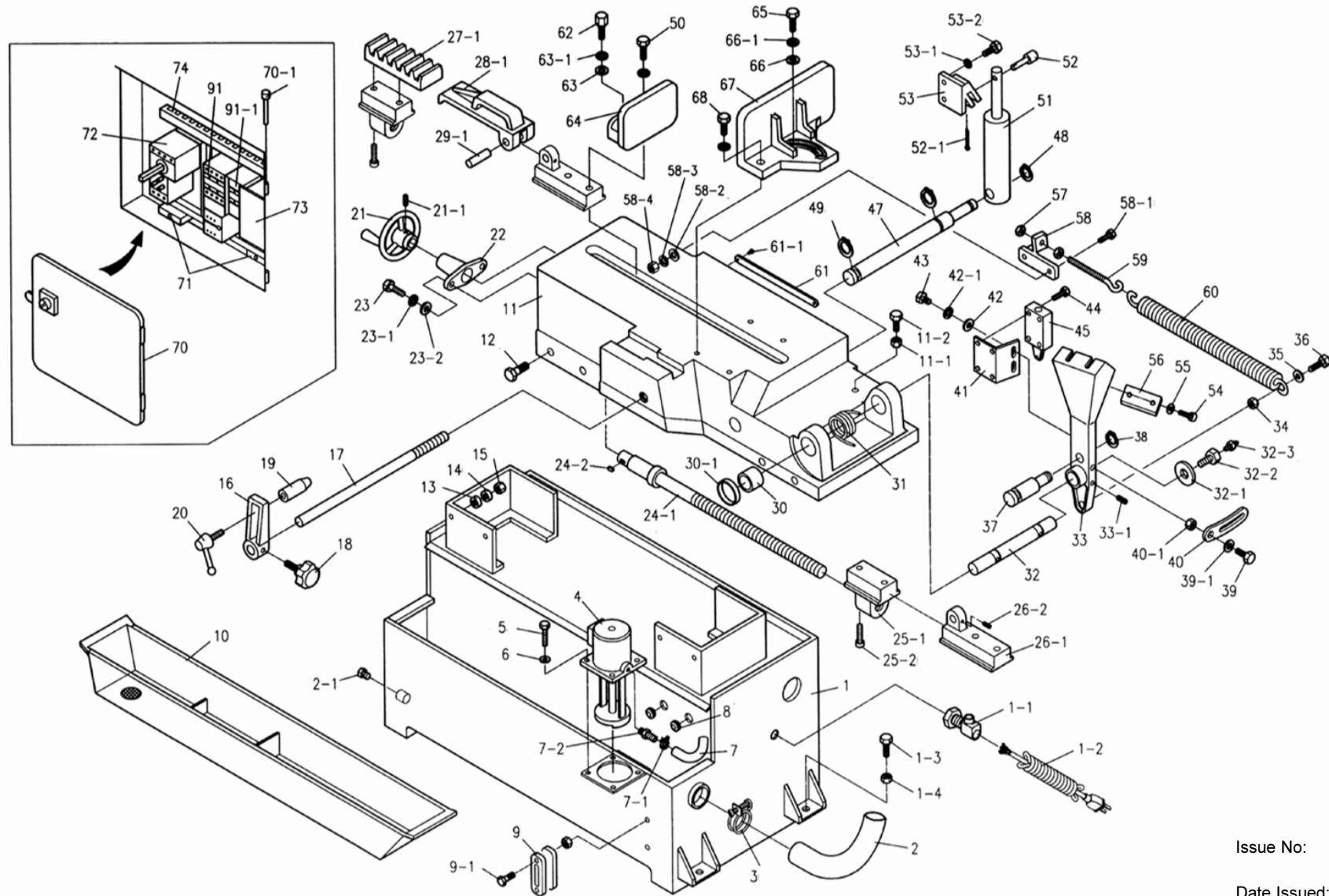
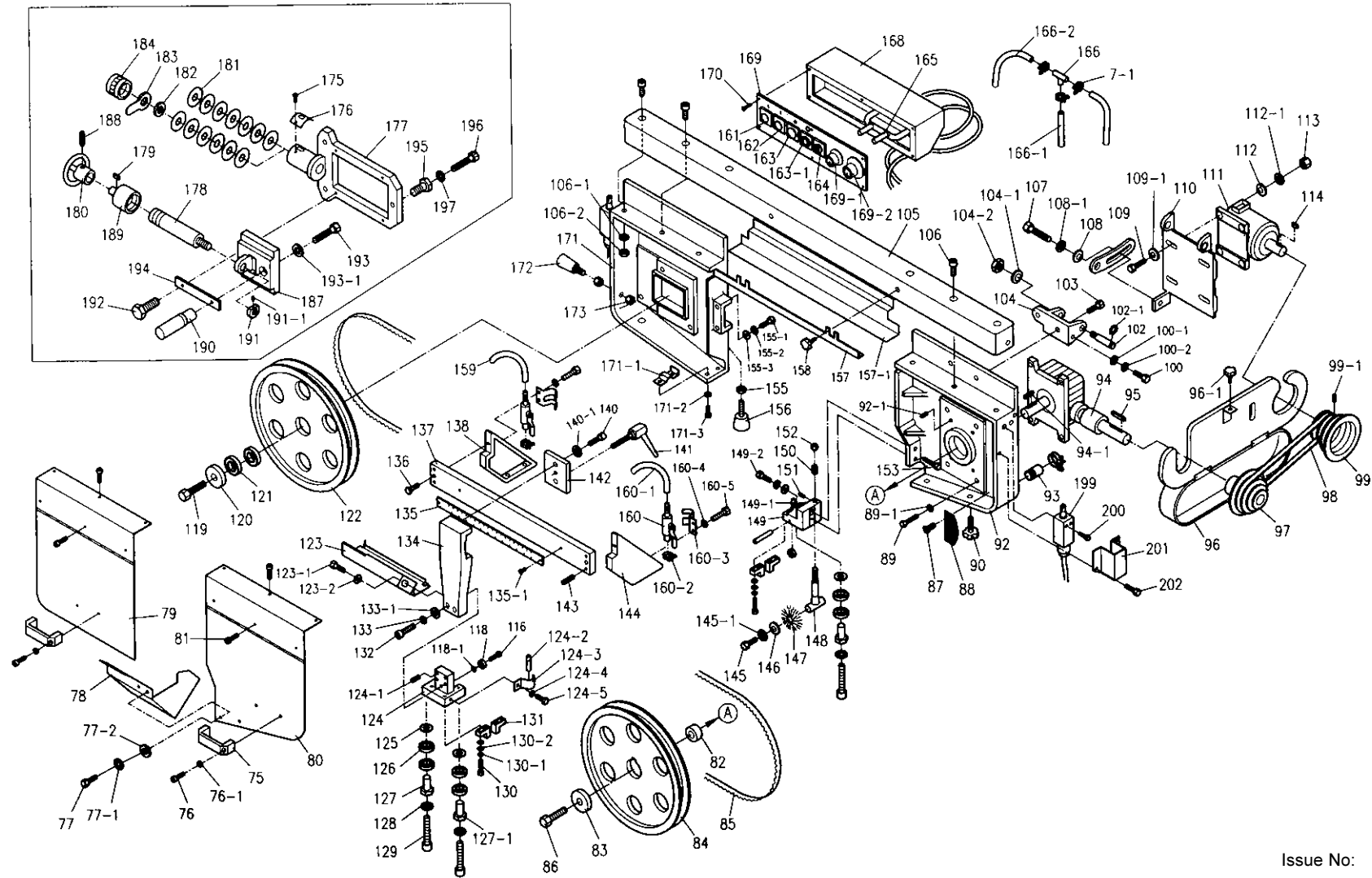




INSTRUCTIONS FOR:
12" HORIZONTAL BANDSAW
 Model: **SM353CE.V2**

Sole UK Distributor, Sealey Group, Bury St. Edmunds, Suffolk
 email sales@sealey.co.uk
 01284 703534
 01284 757500
www.sealey.co.uk





PARTS LIST FOR: 12" HORIZONTAL BANDSAW

Model:

SM353CE.V2

1	SM353CE.V2.001	BASE	52-1	SM353CEV2052A	PIN
1-1	SM353CEV2001A	STRAIN RELIEF FITTING	53	SM353CEV2.053	HYDRAULIC MOUNTING PLATE - TOP
1-2	SM353CEV2001B	POWER CORD	53-1	SM353CEV2053A	LOCK WASHER M10
2	SM353CEV2.002	HOSE 1"x50mm	53-2	SM353CEV2053B	HEX CAP BOLT M10x30
2-1	SM353CEV2002A	DRAIN PLUG 3/8"PT	54	SM353CEV2.054	HEX CAP BOLT M12x50
3	SM353CEV2.003	HOSE CLAMP 35mm	55	SM353CEV2.055	WASHER M12
4	SM353CEV2.004	COOLANT PUMP	56	SM353CEV2.056	LOCK PLATE
5	SM353CEV2.005	ROUND HEAD SCREW M6x16	57	SM353CEV2.057	NUT 1/2"
6	SM353CEV2.006	LOCK WASHER M6	58	SM353CEV2.058	SPRING BRACKET
7	SM353CEV2.007	HOSE 5/16"x1300mm	58-1	SM353CEV2058A	HEX CAP BOLT M8x30
7-1	SM353CEV2007A	HOSE CLAMP 14mm	58-2	SM353CEV2058B	WASHER M8
7-2	SM353CEV2007B	HOSE FITTING 3/8"PTx5/16"H	58-3	SM353CEV2058C	LOCK WASHER M8
8	SM353CEV2.008	STRAIN RELIEF	58-4	SM353CEV2058D	NUT M8
9	SM353CEV2.009	COOLANT GAUGE	59	SM353CEV2.059	SPRING ADJUSTABLE ROD 1/2"
9-1	SM353CEV2009A	HEX CAP BOLT M10x30	61-1	SM353CEV2061A	RIVET
10	SM353CEV2.010	CHIP TRAY	60	SM353CEV2.060	SPRING
11	SM353CEV2.011	BED	61	SM353CEV2.061	ANGLE SCALE
11-1	SM353CEV2011A	NUT M10	62	SM353CEV2.062	HEX CAP SCREW M12x40
11-2	SM353CEV2011B	HEX CAP BOLT M10x30	63	SM353CEV2.063	WASHER M12
12	SM353CEV2.012	HEX CAP BOLT M8x30	63-1	SM353CEV2063A	LOCK WASHER M12
13	SM353CEV2.013	WASHER M8	64	SM353CEV2.064	WISE JAW - LEFT
14	SM353CEV2.014	LOCK WASHER M8	65	SM353CEV2.065	HEX CAP BOLT M12x50
15	SM353CEV2.015	NUT M8	66	SM353CEV2.066	WASHER M12
16	SM353CEV2.016	WORK STOP BRACKET	66-1	SM353CEV2066A	LOCK WASHER M12
17	SM353CEV2.017	WORK STOP ROD	67	SM353CEV2.067	WISE JAW - RIGHT
18	SM353CEV2.018	LOCK KNOB 3/8"x1"1/4"	68	SM353CEV2.068	HEX CAP BOLT M12X40
19	SM353CEV2.019	WORK STOP	70	SM353CEV2.070	ELECTRICAL PANEL COVER
20	SM353CEV2.020	LOCK HANDLE	70-1	SM353CEV2070A	PIN
21	SM353CEV2.021	HAND WHEEL ASSEMBLY 5.5"	71	SM353CEV2.071	FUSE
21-1	SM353CEV2021A	SET SCREW 5/16"x3/8"	72	SM353CEV2.072	GENERAL SWITCH
22	SM353CEV2.022	LEAD SCREW SEAT	73	SM353CEV2.073	TRANSFORMER
23	SM353CEV2.023	HEX CAP BOLT 5/16"x3/8"	74	SM353CEV2.074	TERMINAL STRIP
10	SM353CEV2023A	LOCK WASHER M8	75	SM353CEV2.075	HANDLE
20	SM353CEV2023B	WASHER M8	76	SM353CEV2.076	ROUND HEAD SCREW M6X12
24-1	SM353CEV2024A	LEAD SCREW	76-1	SM353CEV2076A	WASHER M6
24-2	SM353CEV2024B	KEY 5x20	77	SM353CEV2.077	HEX CAP BOLT M6X10
25-1	SM353CEV2025A	LEAD SCREW BRACKET	77-1	SM353CEV2077A	LOCK WASHER M6
25-2	SM353CEV2025B	HEX SOCKET CAP SCREW M8x25	77-2	SM353CEV2077B	WASHER M6
26-1	SM353CEV2026A	SLIDE BRACKET	78	SM353CEV2.078	WIRE BRUSH GUARD
26-2	SM353CEV2026B	SET SCREW M6x8	79	SM353CEV2.079	BLADE WHEEL COVER - LEFT
27-1	SM353CEV2027A	RACK	80	SM353CEV2.080	BLADE WHEEL COVER - RIGHT
28-1	SM353CEV2028A	RACK BLOCK	81	SM353CEV2.081	HEX SOCKET CAP SCREW M6X8
29-1	SM353CEV2029A	PIN	82	SM353CEV2.082	BUSHING
30	SM353CEV2.030	CLOSED BEARING HK25 15	83	SM353CEV2.083	WASHER
30-1	SM353CEV2030A	BUSHING	84	SM353CEV2.084	DRIVE WHEEL
25	SM353CEV2.031	TORSION SPRING	85	SM353CEV2.085	BLADE 3035MM
32	SM353CEV2.032	PIVOT SHAFT	86	SM353CEV2.086	HEX CAP BOLT M12X20
32-1	SM353CEV2032A	WASHER	87	SM353CEV2.087	ROUND HEAD SCREW M5X10
32-2	SM353CEV2032B	HEX CAP SCREW M12x20	88	SM353CEV2.088	FILTER SCREEN
32-3	SM353CEV2032C	GREASE CUP 1/16"	89	SM353CEV2.089	HEX CAP BOLT M12X35
33	SM353CEV2.033	PIVOT BRACKET	89-1	SM353CEV2089A	LOCK WASHER M12
33-1	SM353CEV2033A	SET SCREW M10x12	90	SM353CEV2.090	LOCK KNOB 1/4"X10
34	SM353CEV2.034	NUT M12	91	SM353CEV2.091	OVERLOAD SWITCH
35	SM353CEV2.035	WASHER M12	91-1	SM353CEV2091A	MAGNETIC SWITCH
36	SM353CEV2.036	HEX CAP BOLT M12x40	92	SM353CEV2.092	BLADE WHEEL BOX - RIGHT
37	SM353CEV2.037	TORSION SPRING SHAFT	92-1	SM353CEV2092A	SET SCREW M10X12
38	SM353CEV2.038	C-RING S-22	93	SM353CEV2.093	CONNECTOR
39	SM353CEV2.039	HEX CAP BOLT M8x30	94	SM353CEV2.094	GEAR BOX ASSEMBLY
39-1	SM353CEV2039A	WASHER M8	94-1	SM353CEV2094A	KEY 7MM
40	SM353CEV2.040	MOTOR TILT PLATE	95	SM353CEV2.095	KEY 7MM
40-1	SM353CEV2040A	NUT M8	96	SM353CEV2.096	PULLEY COVER
35	SM353CEV2.041	LIMIT SWITCH PLATE	96-1	SM353CEV2096A	LOCK KNOB 1/4"
42	SM353CEV2.042	WASHER M8	97	SM353CEV2.097	GEAR BOX PULLEY
42-1	SM353CEV2042A	LOCK WASHER M8	98	SM353CEV2.098	BELT A.39
43	SM353CEV2.043	HEX CAP BOLT M8x20	99	SM353CEV2.099	MOTOR PULLEY
44	SM353CEV2.044	HEX CAP BOLT M6x12	99-1	SM353CEV2099A	SET SCREW M8X10
45	SM353CEV2.045	LIMIT SWITCH	100	SM353CEV2.100	HEX CAP BOLT M8X16
47	SM353CEV2.047	CYLINDER PIN	100-1	SM353CEV2100A	WASHER M8
48	SM353CEV2.048	C-RING S-20	100-2	SM353CEV2100B	LOCK WASHER M8
49	SM353CEV2.049	C-RING S-25	102	SM353CEV2.102	SUPPORT SHAFT
50	SM353CEV2.050	HEX CAP BOLT M12x40	102-1	SM353CEV2102A	C-RING S-19
51	SM353CEV2.051	HYDRAULIC CYLINDER ASSEMBLY	103	SM353CEV2.103	HEX CAP BOLT M12X35
52	SM353CEV2.052	CYLINDER PIN - TOP			



PARTS LIST FOR: 12" HORIZONTAL BANDSAW SM353CE.V2

Model:

98	SM353CEV2.098	BELT A.39	147	SM353CEV2.147	WIRE BRUSH
99	SM353CEV2.099	MOTOR PULLEY	148	SM353CEV2.148	WIRE BRUSH ROD
99-1	SM353CEV2099A	SET SCREW M8X10	149	SM353CEV2.149	GUIDE BRACKET-RIGHT
100	SM353CEV2.100	HEX CAP BOLT M8X16	149-1	SM353CEV2149A	NOZZLE
100-1	SM353CEV2100A	WASHER M8	149-2	SM353CEV2149B	HEX. SOCKET CAP SCREW M8x50
100-2	SM353CEV2100B	LOCK WASHER M8	150	SM353CEV2.150	SPRING
102	SM353CEV2.102	SUPPORT SHAFT	151	SM353CEV2.151	SET SCREW M6x8
102-1	SM353CEV2102A	C-RING S-19	152	SM353CEV2.152	NUT M10
103	SM353CEV2.103	HEX CAP BOLT M12X35	153	SM353CEV2.153	HEX. SOCKET CAP SCREW M8x45
104	SM353CEV2.104	MOTOR MOUNT BRACKET	155	SM353CEV2.155	NUT M12
105	SM353CEV2.105	COLUMN	155-1	SM353CEV2155A	HEX. CAP BOLT M12x30
106	SM353CEV2.106	HEX. SOCKET CAP SCREW M12X20	155-2	SM353CEV2155B	LOCK WASHER M12
106-1	SM353CEV2106A	LOCK WASHER M12	155-3	SM353CEV2155C	WASHER M12
106-2	SM353CEV2106B	NUT M12	156	SM353CEV2.156	STAND BOLT M12x50
107	SM353CEV2.107	HEX. CAP BOLT M8X25	157	SM353CEV2.157	BLADE GUARD
108	SM353CEV2.108	WASHER M8	157-1	SM353CEV2157A	BLADE GUARD-DOWN
108-1	SM353CEV2108A	LOCK WASHER M8	158	SM353CEV2.158	LOCK KNOB 1/4x10
109	SM353CEV2.109	HEX. CAP BOLT M8X45	159	SM353CEV2.159	HOSE 8x700mm
109-1	SM353CEV2109A	WASHER M8	160	SM353CEV2.160	ADJUSTING VALVE
110	SM353CEV2.110	MOTOR MOUNT PLATE	160-1	SM353CEV2160A	HOSE 8x320mm
111	SM353CEV2.111	MOTOR	160-2	SM353CEV2160B	HOSE CLAMP 14mm
103	SM353CEV2.112	WASHER M8	160-3	SM353CEV2160C	BRACE
103-1	SM353CEV2112A	LOCK WASHER M8	160-4	SM353CEV2160D	LOCK WASHER M6
113	SM353CEV2.113	NUT M8	160-5	SM353CEV2160E	HEX. CAP BOLT M6x12
114	SM353CEV2.114	KEY 7MM	161	SM353CEV2.161	POWER INDICATOR LIGHT
116	SM353CEV2.116	HEX. SOCKET CAP SCREW M8X20	162	SM353CEV2.162	START SWITCH
118	SM353CEV2.118	USE B/608ZZ BEARING	163	SM353CEV2.163	STOP SWITCH
118-1	SM353CEV2118A	LOCK WASHER M8	163-1	SM353CEV2163A	EMERGENCY STOP SWITCH
118	B/608ZZ	BEARING, 608ZZ	164	SM353CEV2.164	PUMP SWITCH
119	SM353CEV2.119	HEX. CAP BOLT M12X35	165	SM353CEV2.165	SPEED CONTROL VALVE
120	SM353CEV2.120	WASHER M12	166	SM353CEV2.166	CONNECTION TUBE
121	SM353CEV2.121	USE B/6205Z BEARING	166-1	SM353CEV2166A	HOSE 5/16"x400mm
1105	B/6205Z	BEARING, 6205Z	166-2	SM353CEV2166B	HOSE 5/16"x940mm
122	SM353CEV2.122	IDLER WHEEL	168	SM353CEV2.168	CONTROL BOX
123	SM353CEV2.123	BLADE GUARD	169	SM353CEV2.169	CONTROL PANEL
123-1	SM353CEV2123A	HEX. CAP BOLT M8X16	169-1	SM353CEV2169A	OIL REGULATING MICRO SWITCH
123-2	SM353CEV2123B	WASHER M8	169-2	SM353CEV2169B	ON / OFF SWITCH
124	SM353CEV2.124	GUIDE BRACKET-LEFT	170	SM353CEV2.170	ROUND HEAD SCREW M5x8
124-1	SM353CEV2124A	SET SCREW M8X16	171	SM353CEV2.171	WHEEL BOX-LEFT
124-2	SM353CEV2124B	NOZZLE	171-1	SM353CEV2171A	LOCK PLATE
124-3	SM353CEV2124C	NOZZLE SUPPORT	171-2	SM353CEV2171B	WASHER M6
124-4	SM353CEV2124D	LOCK WASHER M6	171-3	SM353CEV2171C	HEX. CAP BOLT M6x16
124-5	SM353CEV2124E	HEX. CAP BOLT M6X12	172	SM353CEV2.172	HANDLE M12
125	SM353CEV2.125	WASHER M8X25	173	SM353CEV2.173	NUT M12
126	SM353CEV2.126	BALL BEARING 6201LBZZ	175	SM353CEV2.175	ROUND HEAD SCREW M5x10
127	SM353CEV2.127	CENTRIC SLEEVE	176	SM353CEV2.176	INDICATOR SCALE
127-1	SM353CEV2127A	ECCENTRIC SLEEVE	177	SM353CEV2.177	SLIDE BRACKET
128	SM353CEV2.128	LOCK WASHER M8	178	SM353CEV2.178	TENSION SHAFT
129	SM353CEV2.129	HEX. SOCKET CAP SCREW M8X45	179	SM353CEV2.179	KEY 5x15
130	SM353CEV2.130	HEX. SOCKET CAP SCREW M6X30	180	SM353CEV2.180	HANDWHEEL
130-1	SM353CEV2130A	LOCK WASHER	181	SM353CEV2.181	DISC SPRING
130-2	SM353CEV2130B	WASHER	182	SM353CEV2.182	FLAT WASHER
131	SM353CEV2.131	TUNGSTEN CARBIDE BLADE GUIDE	183	SM353CEV2.183	TENSION INDICATOR
132	SM353CEV2.132	HEX. CAP BOLT M8X40	184	SM353CEV2.184	THRUST BEARING 51104
133	SM353CEV2.133	LOCK WASHER M8	187	SM353CEV2.187	SLIDE
133-1	SM353CEV2133A	WASHER M8	188	SM353CEV2.188	SET SCREW 5/16"x3/8"
134	SM353CEV2.134	ADJUSTABLE BRACKET	189	SM353CEV2.189	EXTENSION BAR
135	SM353CEV2.135	SCALE	190	SM353CEV2.190	BLADE WHEEL SHAFT
135-1	SM353CEV2135A	ROUND HEAD SCREW	191	SM353CEV2.191	NUT M16
136	SM353CEV2.136	HEX. SOCKET CAP SCREW M10X25	191-1	SM353CEV2191A	SET SCREW M6x8
137	SM353CEV2.137	SLIDE	192	SM353CEV2.192	HEX. SOCKET CAP SCREW M8x20
138	SM353CEV2.138	BLADE BRACKET-LEFT	193	SM353CEV2.193	HEX. SOCKET CAP SCREW M12x20
140	SM353CEV2.140	HEX. CAP BOLT M8x25	193-1	SM353CEV2193A	WASHER
140-1	SM353CEV2140A	LOCK WASHER M8	194	SM353CEV2.194	GIB
141	SM353CEV2.141	LOCK HANDLE 3/8x30	195	SM353CEV2.195	HEX. CAP BOLT M16x30
142	SM353CEV2.142	STATIONARY PLATE	196	SM353CEV2.196	HEX. CAP BOLT M10x60
143	SM353CEV2.143	SET SCREW M8x10	197	SM353CEV2.197	LOCK WASHER M10
144	SM353CEV2.144	BLADE BRACKET-RIGHT	199	SM353CEV2.199	LIMIT SWITCH AC500V (5Amps)
145	SM353CEV2.145	HEX. CAP BOLT M6x12	200	SM353CEV2.200	ROUND HEAD SCREW 5/32"x32
145-1	SM353CEV2145A	LOCK WASHER M6	201	SM353CEV2.201	LIMIT SWITCH GUARD
146	SM353CEV2.146	WASHER M6	202	SM353CEV2.202	ROUND HEAD SCREW M5x8



Sole UK Distributor,
Sealey Group,
Bury St. Edmunds, Suffolk.

01284 757500
www.sealey.co.uk

01284 703534
E-mail: sales@sealey.co.uk