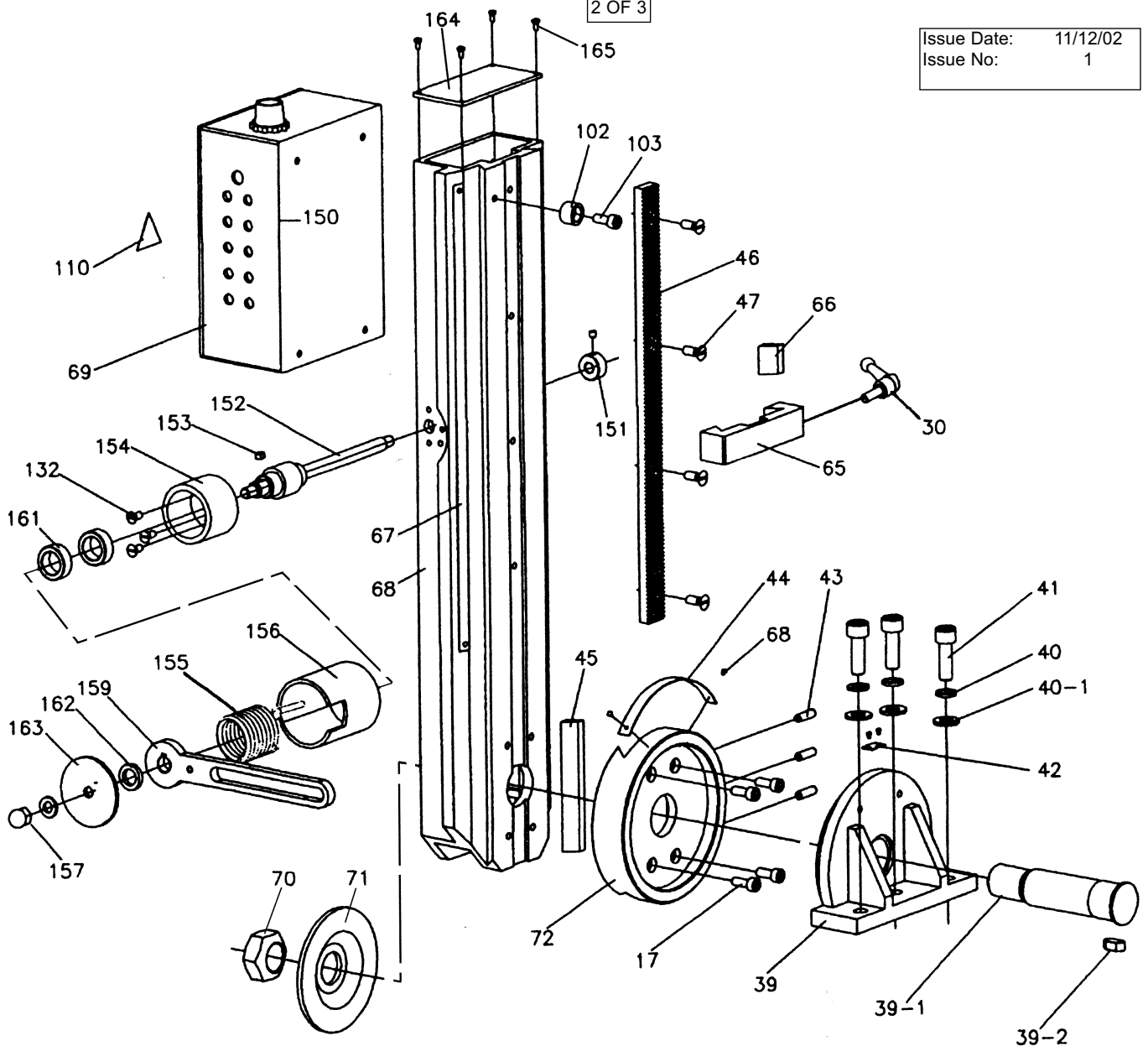


ITEM	PART NO	DESCRIPTION
01	SM2502.001	BASE
02	SM2502.002	FEED SCREW (X-AXIS)
02-1	SM2502.002-1	KEY 4X16
04	SM2502.004	DIAL
05	SM2502.005	HAND WHEEL
06	SM2502.006	NUT M8
07	SM2502.007	KNOB
08	SM2502.008	SCREW M8X55
09	SM2502.009	CAP SCREW M6X8
10	SM2502.010	HOLDING PLATE 1
11	SM2502.011	DUST GUARD COVER
12	SM2502.012	HOLDING PLATE 2

ITEM	PART NO	DESCRIPTION
14	SM2502.014	WASHER
15	SM2502.015	NUT M8
16	SM2502.016	RULER (Y-AXIS)
17	SM2502.017	CAP SCREW M6X18
18	SM2502.018	BEARING SEAT (Y-AXIS)
19	SM2502.019	TABLE
20	SM2502.020	FEED SCREW (Y-AXIS)
21	SM2502.021	END COVER
22	SM2502.022	SCREW M6X16
23	SM2502.023	SCREW NUT (Y-AXIS)
24	SM2502.024	HOLDING PLATE 3
25	SM2502.025	DUST GUARD COVER
26	SM2502.026	SCREW SEAT
27	SM2502.027	CAP SCREW M6X16
28	SM2502.028	SET SCREW M6X22
29	SM2502.029	NUT M6
30	SM2502.030	HANDLE
31	SM2502.031	SCREW M6X10
32	SM2502.032	GUIDE FINGER
33	SM2502.033	SCREW M6X8
34	SM2502.034	WEDGE (X-AXIS)
35	SM2502.035	SADDLE
36	SM2502.036	WEDGE (Y-AXIS)
37	SM2502.037	SCREW NUT (X-AXIS)
38	SM2502.038	CAP SCREW M6X25
42	SM2502.063	GUIDE FINGER
92	SM2502.061	SPRING STEEL 1.0

2 OF 3

Issue Date: 11/12/02
Issue No: 1



ITEM	PART NO	DESCRIPTION
17	SM2502.017	CAP SCREW M6X18
30	SM2502.030	HANDLE
39	SM2502.039	COLUMN SEAT
39-1	SM2502.039-1	SHAFT
39-2	SM2502.039-2	KEY 8X12
40	SM2502.040	SPRING WASHER Ø10
40-1	SM2502.040-1	WASHER Ø10
41	SM2502.041	CAP SCREW M10X30
42	SM2502.042	GUIDE FINGER
43	SM2502.043	SET SCREW M6X22
44	SM2502.044	RULER
45	SM2502.045	WEDGE
46	SM2502.046	GEAR RACK
47	SM2502.047	CAP SCREW M6X16
65	SM2502.065	LIMIT BLOCK
66	SM2502.066	WEDGE
67	SM2502.067	RULER
68	SM2502.068	COLUMN
69	SM2502.069	ELECTRICS BOX
70	SM2502.070	LOCK NUT M24

ITEM	PART NO	DESCRIPTION
71	SM2502.071	BIG WASHER
72	SM2502.072	CONNECTING STRUT
102	SM2502.102	UPPER END WASHER
103	SM2502.103	UPPER END SCREW M6X16
132	SM2502.132	ROUND SCREW M5X8
150	SM2502.150	PC BOARD
151	SM2502.151	LOCK SLEEVE
152	SM2502.152	ROTOR SHAFT
153	SM2502.153	KEY 4X6
154	SM2502.154	SPRING SUPPORT
155	SM2502.155	TORSION SPRING
156	SM2502.156	COVER
157	SM2502.157	NUT
159	SM2502.159	SUPPORT SHANK
161	SM2502.161	WASHER
162	SM2502.162	INTERNAL RING Ø12
163	SM2502.163	COVER
164	SM2502.164	TOP COVER
165	SM2502.165	SCREW M3X6

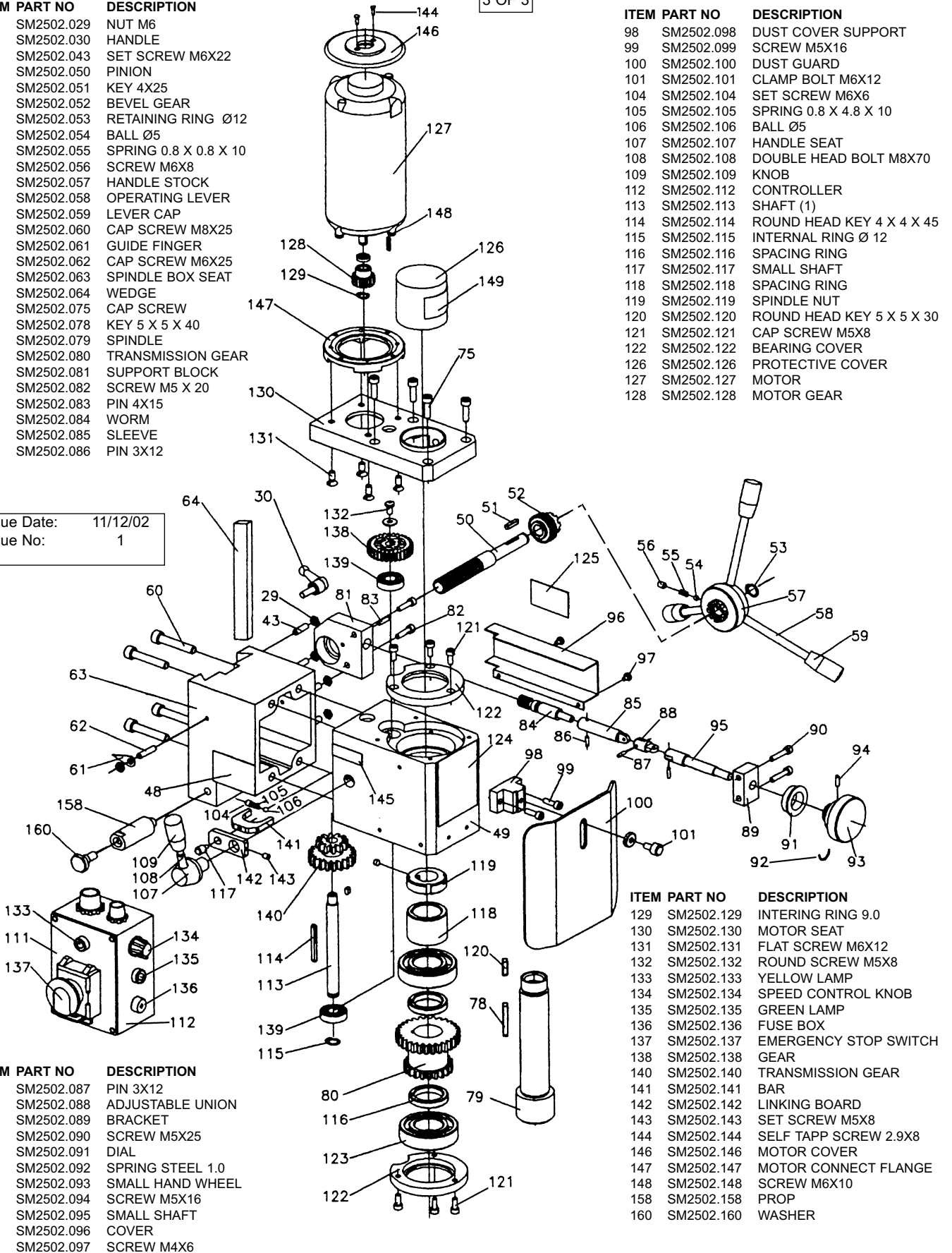


3 OF 3

ITEM	PART NO	DESCRIPTION
29	SM2502.029	NUT M6
30	SM2502.030	HANDLE
43	SM2502.043	SET SCREW M6X22
50	SM2502.050	PINION
51	SM2502.051	KEY 4X25
52	SM2502.052	BEVEL GEAR
53	SM2502.053	RETAINING RING Ø12
54	SM2502.054	BALL Ø5
55	SM2502.055	SPRING 0.8 X 0.8 X 10
56	SM2502.056	SCREW M6X8
57	SM2502.057	HANDLE STOCK
58	SM2502.058	OPERATING LEVER
59	SM2502.059	LEVER CAP
60	SM2502.060	CAP SCREW M8X25
61	SM2502.061	GUIDE FINGER
62	SM2502.062	CAP SCREW M6X25
63	SM2502.063	SPINDLE BOX SEAT
64	SM2502.064	WEDGE
75	SM2502.075	CAP SCREW
78	SM2502.078	KEY 5 X 5 X 40
79	SM2502.079	SPINDLE
80	SM2502.080	TRANSMISSION GEAR
81	SM2502.081	SUPPORT BLOCK
82	SM2502.082	SCREW M5 X 20
83	SM2502.083	PIN 4X15
84	SM2502.084	WORM
85	SM2502.085	SLEEVE
86	SM2502.086	PIN 3X12

ITEM	PART NO	DESCRIPTION
98	SM2502.098	DUST COVER SUPPORT
99	SM2502.099	SCREW M5X16
100	SM2502.100	DUST GUARD
101	SM2502.101	CLAMP BOLT M6X12
104	SM2502.104	SET SCREW M6X6
105	SM2502.105	SPRING 0.8 X 4.8 X 10
106	SM2502.106	BALL Ø5
107	SM2502.107	HANDLE SEAT
108	SM2502.108	DOUBLE HEAD BOLT M8X70
109	SM2502.109	KNOB
112	SM2502.112	CONTROLLER
113	SM2502.113	SHAFT (1)
114	SM2502.114	ROUND HEAD KEY 4 X 4 X 45
115	SM2502.115	INTERNAL RING Ø 12
116	SM2502.116	SPACING RING
117	SM2502.117	SMALL SHAFT
118	SM2502.118	SPACING RING
119	SM2502.119	SPINDLE NUT
120	SM2502.120	ROUND HEAD KEY 5 X 5 X 30
121	SM2502.121	CAP SCREW M5X8
122	SM2502.122	BEARING COVER
126	SM2502.126	PROTECTIVE COVER
127	SM2502.127	MOTOR
128	SM2502.128	MOTOR GEAR

Issue Date: 11/12/02
Issue No: 1



ITEM	PART NO	DESCRIPTION
87	SM2502.087	PIN 3X12
88	SM2502.088	ADJUSTABLE UNION
89	SM2502.089	BRACKET
90	SM2502.090	SCREW M5X25
91	SM2502.091	DIAL
92	SM2502.092	SPRING STEEL 1.0
93	SM2502.093	SMALL HAND WHEEL
94	SM2502.094	SCREW M5X16
95	SM2502.095	SMALL SHAFT
96	SM2502.096	COVER
97	SM2502.097	SCREW M4X6

ITEM	PART NO	DESCRIPTION
129	SM2502.129	INTERING RING 9.0
130	SM2502.130	MOTOR SEAT
131	SM2502.131	FLAT SCREW M6X12
132	SM2502.132	ROUND SCREW M5X8
133	SM2502.133	YELLOW LAMP
134	SM2502.134	SPEED CONTROL KNOB
135	SM2502.135	GREEN LAMP
136	SM2502.136	FUSE BOX
137	SM2502.137	EMERGENCY STOP SWITCH
138	SM2502.138	GEAR
140	SM2502.140	TRANSMISSION GEAR
141	SM2502.141	BAR
142	SM2502.142	LINKING BOARD
143	SM2502.143	SET SCREW M5X8
144	SM2502.144	SELF TAPP SCREW 2.9X8
146	SM2502.146	MOTOR COVER
147	SM2502.147	MOTOR CONNECT FLANGE
148	SM2502.148	SCREW M6X10
158	SM2502.158	PROP
160	SM2502.160	WASHER