

First Issued: 130700
 Version No: 1
 Date Modified: 231100

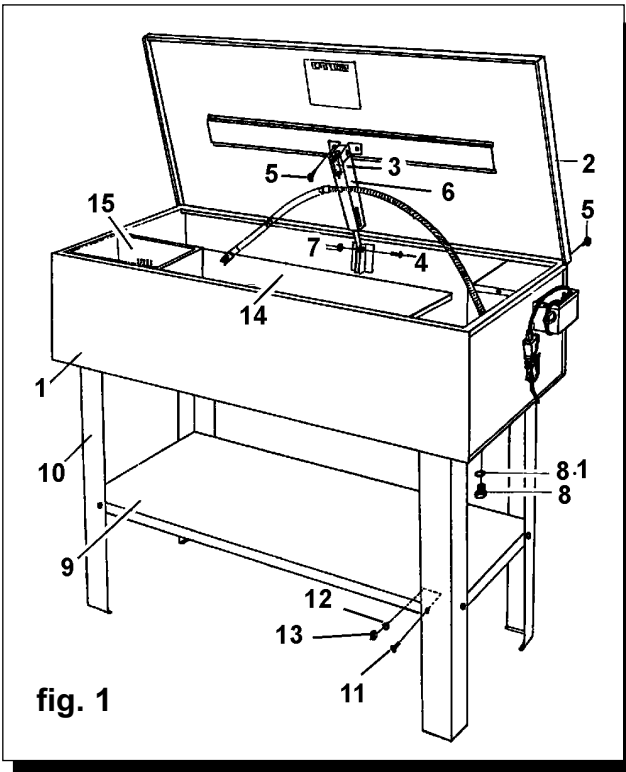


fig. 1

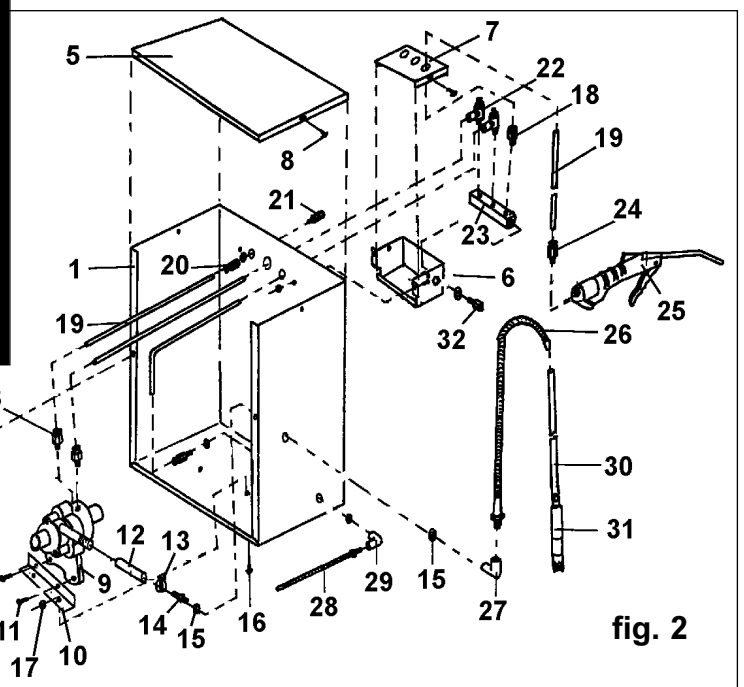


fig. 2

Fig. 1

Item	Part No.	Description
1	SM22/C/01	BODY
2	SM22/C/02	COVER
3	SM22/C/03	SAFETY PLATE
4	SM22/C/04	PAN SCREW, 1/4" x 3/4"
5	SM22/C/05	TAPPING SCREW
6	SM22/C/06	SAFETY PLATE
7	SM22/C/07	HEX NUT 1/4"
8	SM22/C/08	PLUG
8.1	SM22/C/08.1	OIL SEAL
9	SM22/C/09	SHELF
10	SM22/C/10	LEG
11	SM22/C/11	PAN SCREW, 1/4" x 3/8"
12	SM22/C/12	WASHER, 1/4"
13	SM22/C/13	HEX NUT, 1/4"
14	SM22/C/14	WORK SHELF
15	SM22/C/15	BASKET

Fig. 2

Item	Part No.	Description
1	SM22/C/P-01	PUMP HOUSING
2	SM22/C/P-02	HOUSING FRONT COVER
3	SM22/C/P-03	FILTER, NON WOVEN FABRICS
4	SM22/C/P-04	FILTER BRACKET
5	SM22/C/P-05	HOUSING TOP
6	SM22/C/P-06	ADJUSTABLE SWITCH BOX
7	SM22/C/P-07	SWITCH BOX COVER

Fig. 2 Continued

Item	Part No.	Description
8	SM22/C/P-08	TAPPING SCREW
9	SM22/C/P-09	AIR PUMP
10	SM22/C/P-10	PUMP FIXED PLATE
11	SM22/C/P-11	PAN SCREW, 3/16" x 5/8"
12	SM22/C/P-12	FLUID HOSE
13	SM22/C/P-13	HOSE CLAMP
14	SM22/C/P-14	CONNECTOR, 1/4" x 1/4"
15	SM22/C/P-15	WASHER
16	SM22/C/P-16	PAN SCREW, 5/32" x 3/8"
17	SM22/C/P-17	HEX NUT, 5/32"
18	SM22/C/P-18	PU HOSE QUICK CONNECTOR, 1/8"
19	SM22/C/P-19	PU HOSE, 5 x 8
20	SM22/C/P-20	PU HOSE QUICK CONNECTOR, INSIDE THREAD
21	SM22/C/P-21	SILENCER, 1/8"
22	SM22/C/P-22	ADJUSTABLE SWITCH
23	SM22/C/P-23	INLET PIPE
24	SM22/C/P-24	PU HOSE QUICK CONNECTOR 1/4"
25	SM22/C/P-25	AIR BLOW GUN
26	SM22/C/P-26	FLEXIBLE HOSE, 1/4" x 24"
27	SM22/C/P-27	L CONNECTOR, 1/4" INSIDE THREAD
28	SM22/C/P-28	TURBO SPIGOT
29	SM22/C/P-29	L CONNECTOR, 1/8" INSIDE THREAD
30	SM22/C/P-30	CLEAR TUBE
31	SM22/C/P-31	CLEANING BRUSH
32	SM22/C/P-32	INLET CONNECTOR, 1/4" INSIDE THREAD

NOTE: It is our policy to continually improve products and as such we reserve the right to alter data, specifications and component parts without prior notice.