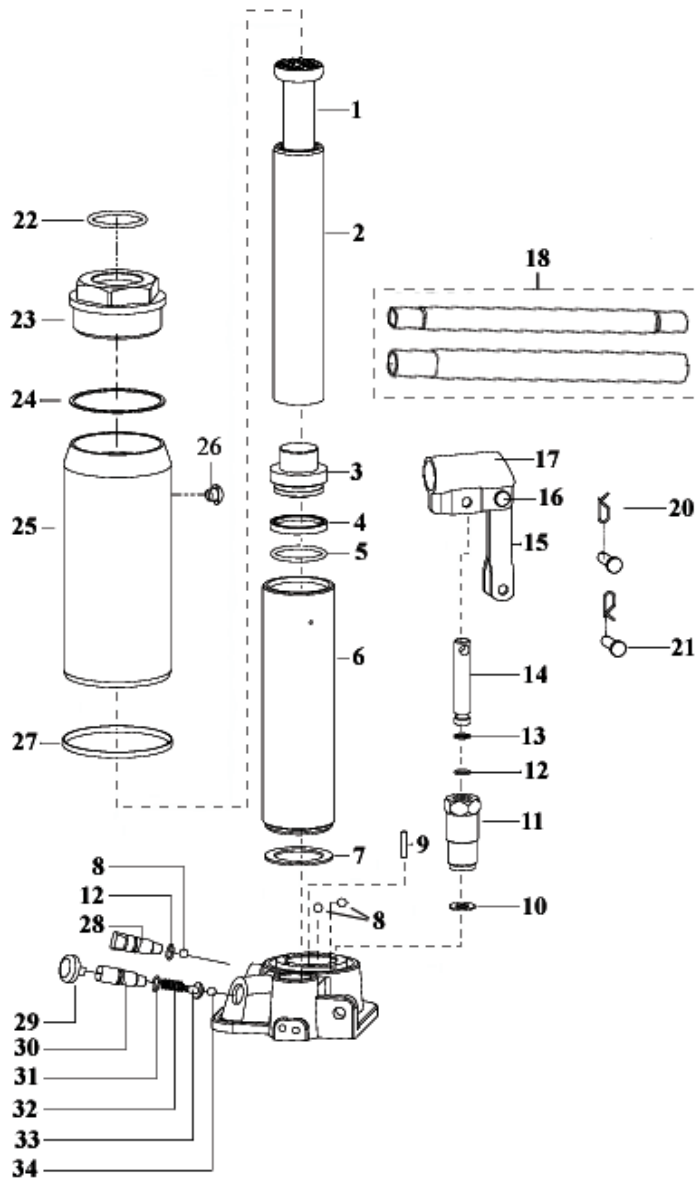


Issue: 1
 Issue Date: 280607



ITEM	PART NO	DESCRIPTION	ITEM	PART NO	DESCRIPTION
1	SJ8T.01	OVERLOAD VALVE ADJUSTING ROD	20	SJ8T.20	SPRING PIN
2	SJ8T.02	PISTON ROD ASS'Y	21	SJ8T.21	PIN
3	SJ8T.03	PLUNGER	22	SJ8T.22	O-RING
4	SJ8T.04	BOWL WASHER	23	SJ8T.23	TOP CUP
5	SJ8T.05	O-RING	24	SJ8T.24	O-RING
6	SJ8T.06	CYLINDER	25	SJ8T.25	RESERVOIR
7	SJ8T.07	STEEL WASHER	26	SJ8T.26	OIL FILLER
8	SJ8T.08	STEEL BALL	27	SJ8T.27	BACK-UP RING
9	SJ8T.09	FILTER OIL TUBE	28	SJ8T.28	RELEASE VALVE
10	SJ8T.10	ROTATING PARTS	29	SJ8T.29	COVERING
11	SJ8T.11	PUMP CYLINDER	30	SJ8T.30	PLUG SCREW
12	SJ8T.12	O-RING	31	SJ8T.31	O-RING
13	SJ8T.13	RETAINING RING	32	SJ8T.32	SPRING
14	SJ8T.14	PUMP PLUNGER	33	SJ8T.33	SPRING BASE
15	SJ8T.15	HANDLE SOCKET PIN	34	SJ8T.34	STEEL BALL
16	SJ8T.16	PIN	35	SJ8T.RK	REPAIR KIT (NOT SHOWN)
17	SJ8T.17	HANDLE SOCKET			
18	SJ8T.18	COMPLETE HANDLE			

NOTE: It is our policy to continually improve products and as such we reserve the right to alter data, specifications and component parts without prior notice.

IMPORTANT: No liability is accepted for incorrect use of product.

WARRANTY: Guarantee is 12 months from purchase date, proof of which will be required for any claim.

INFORMATION: For a copy of our latest catalogue and promotions call us on 01284 757525 and leave your full name and address, including postcode.