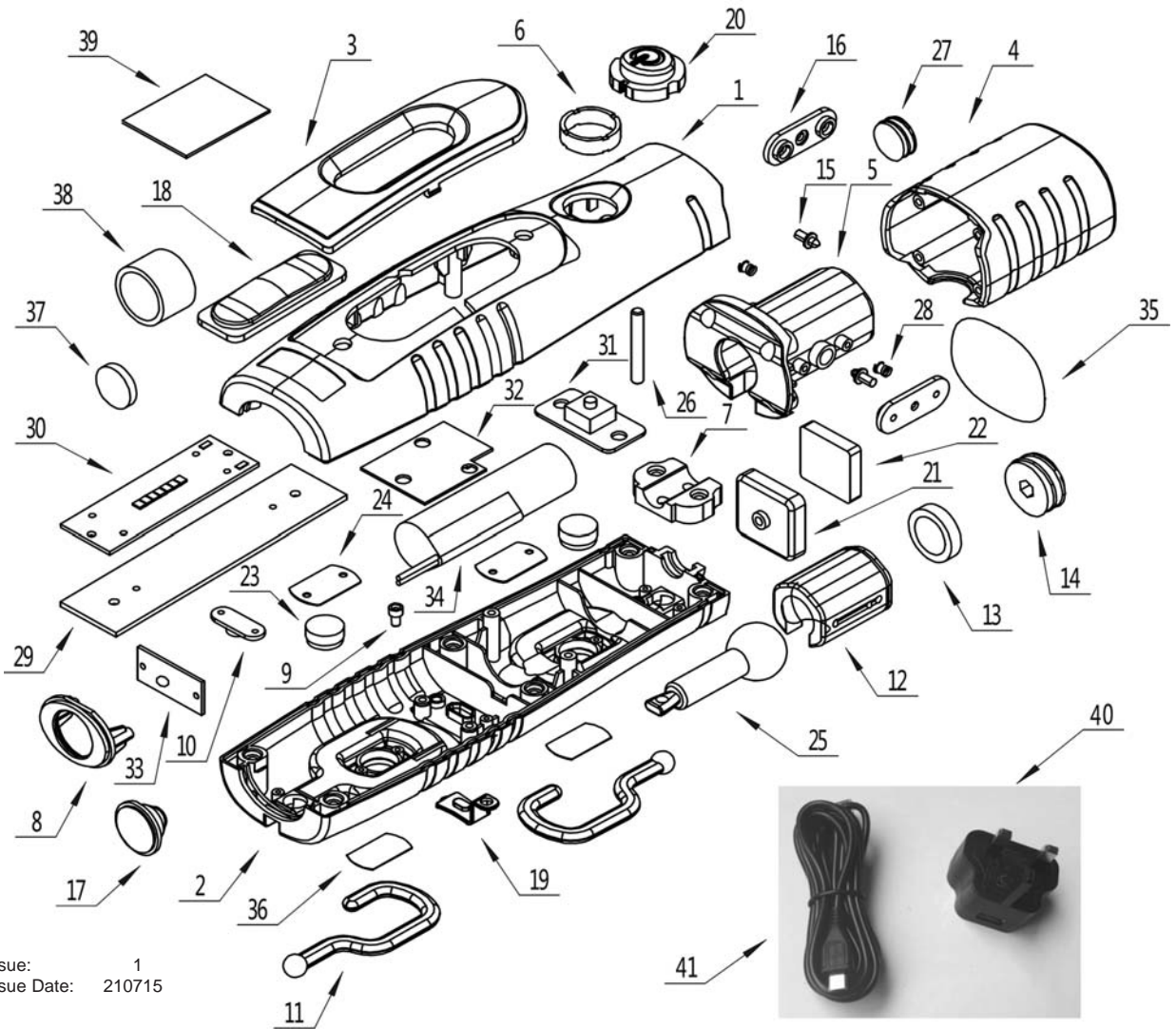




PARTS FOR:
**RECHARGEABLE 360° 7 SMD + 3W LED INSPECTION
 LAMP BLUE LITHIUM-ION**
 MODEL: **LED3602B**



Issue: 1
 Issue Date: 210715

ITEM	PART NO	DESCRIPTION
1	LED3602B.01	FRONT HOUSING 'BLUE'
2	LED3602B.02	BACK HOUSING 'BLUE'
3	LED3602B.03	COVER FOR FRONT HOUSING 'BLUE'
4	LED3602B.04	HANDLE 'BLUE'
5	LED3602G.05	PIVOT BOX (LARGE)
6	LED3602G.06	SWITCH CAP SUPPORT
7	LED3602G.07	BALL ARM PLATE
8	LED3602G.08	HEAD LENS COVER
9	LED3602G.09	CHARGING INDICATOR CAP
10	LED3602G.10	HOOK PLATE
11	LED3602G.11	HOOK
12	LED3602G.12	ROTATING SUPPORT (SMALL)
13	LED3602G.13	PIVOT PROTECTION RING
14	LED3602G.14	PIVOT PROTECTION RING
15	LED3602G.15	ROTATING SUPPORT PIN
16	LED3602G.16	ROTATING SUPPORT BAR
17	LED3602G.17	HEAD LED LENS
18	LED3602G.18	SMD LENS
19	LED3602G.19	CHARGING SOCKET COVER
20	LED3602G.20	SWITCH CAP
21	LED3602G.21	MAGNET HOUSING

ITEM	PART NO	DESCRIPTION
22	LED3602G.22	BOTTOM MAGNET
23	LED3602G.23	HOUSING MAGNET
24	LED3602G.24	MAGNET COVER
25	LED3602G.25	PIVOT
26	LED3602G.26	SWITCH BUTTON SUPPORT
27	LED3602G.27	WAVE SPRING
28	LED3602G.28	SPRING
29	LED3602G.29	PCB SUPPORT PLATE
30	LED3602G.30	75SMD PCB
31	LED3602G.31	SWITCH BUTTON
32	LED3602G.32	PCB
33	LED3602G.33	HEAD LED PCB
34	LED3602G.34	BATTERY
35	LED3602G.35	STICKER
36	LED3602G.36	STICKER
37	LED3602G.37	BATTERY PROTECTION FOAM
38	LED3602G.38	BATTERY PROTECTION FOAM
39	LED3602G.39	FOAM
40	LED360USB.C	USB MAINS CHARGER
41	LED3602G.41	MICRO USB WITH 5PIN CABLE



Sole UK Distributor,
 Sealey Group, Kempson Way,
 Suffolk Business Park,
 Bury St Edmunds, Suffolk, IP32 7AR

01284 757500
 01284 703534



www.sealey.co.uk
 sales@sealey.co.uk