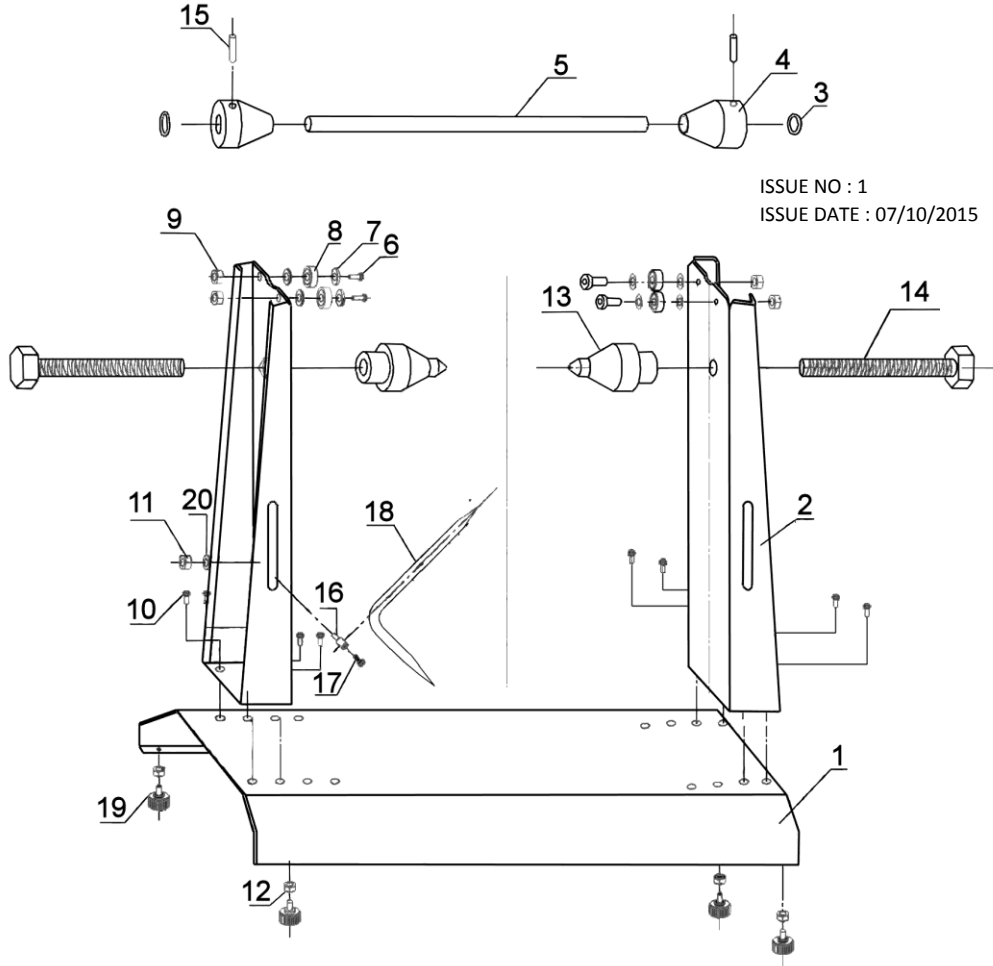




PARTS FOR :
MOTORCYCLE & BICYCLE WHEEL BALANCER
AND TRUING STAND
MODELS: WTS01



ISSUE NO : 1
 ISSUE DATE : 07/10/2015

ITEM	PART NO	DESCRIPTION	ITEM	PART NO	DESCRIPTION
1	WTS01.01	BASE	11	WTS01.11	LOCK NUT M8
2	WTS01.02	SIDE FRAME	12	WTS01.12	LOCK NUT M8
3	WTS01.03	STOP RING	13	WTS01.13	WHEEL
4	WTS01.04	CENTERING CONE	14	WTS01.14	SCREW M16*150
5	WTS01.05	AXLE	15	WTS01.15	SOCKET HEAD SCREW M6*15
6	WTS01.06	SOCKET HEAD SCREW M10*25	16	WTS01.16	PIN FIXING SEAT
7	WTS01.07	WASHER	17	WTS01.17	SOCKET HEAD SCREW M6*10
8	WTS01.08	BEARING	18	WTS01.18	GUIDE
9	WTS01.09	LOCK NUT M10	19	WTS01.19	ADJUST PIN
10	WTS01.10	SOCKET HEAD SCREW M8*16	20	WTS01.20	WASHER Dia 8



Sole UK Distributor,
 Sealey Group, Kempson Way,
 Suffolk Business Park,
 Bury St Edmunds, Suffolk, IP32 7AR

01284 757500
 01284 703534

www.sealey.co.uk
sales@sealey.co.uk