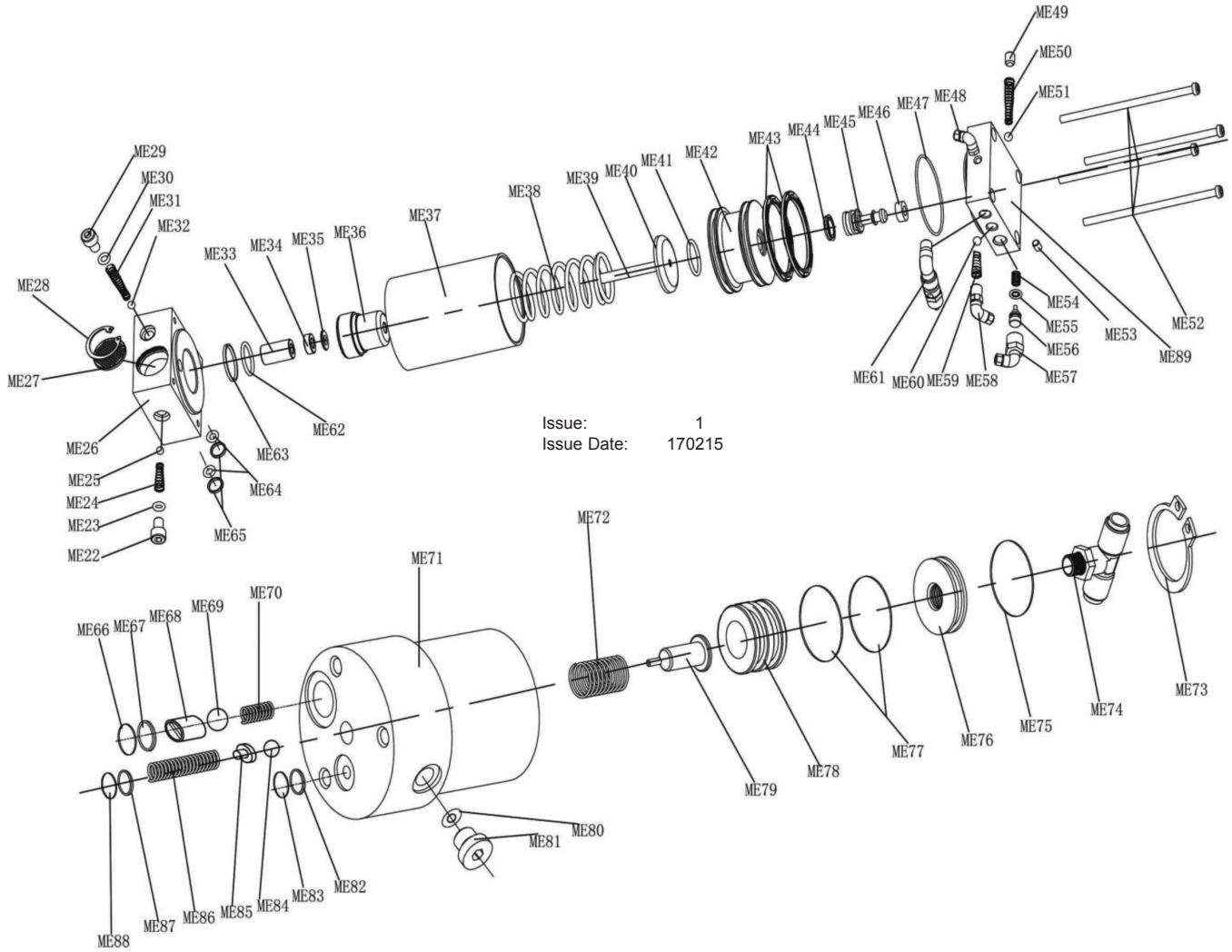


Issue: 1
 Issue Date: 170215

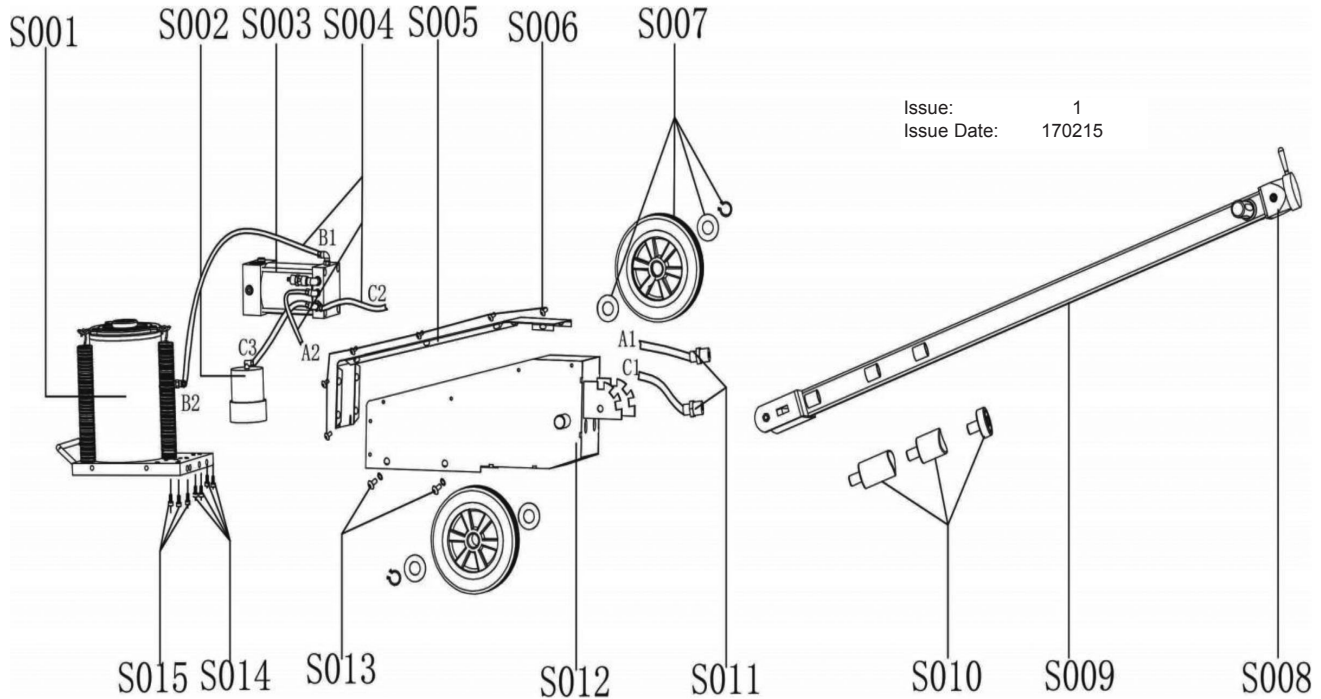
ITEM	PART NO	DESCRIPTION
S01	YAJ201.S01	TOP CAP
S02	YAJ201.S02	SCREW
S03	YAJ201.S03	SPACER
S04	YAJ201.S04	SCREW NUT
S05	YAJ201.S05	O-RING
S06	YAJ201.S06	OIL TANK CAP
S07	YAJ201.S07	O-RING
S08	YAJ201.S08	ELBOW
S09	YAJ201.S09	OIL TANK
S10	YAJ201.S10	DUSTPROOF RING
S11	YAJ201.S11	GUIDE RING
S12	YAJ201.S12	O-RING
S13	YAJ201.S13	OUTER SLEEVE
S14	YAJ201.S14	O-RING

ITEM	PART NO	DESCRIPTION
S15	YAJ201.S15	LOCKING RING
S16	YAJ201.S16	EXTENSION SCREW
S17	YAJ201.S17	PISTON
S18	YAJ201.S18	SEAL
S19	YAJ201.S19	GUIDE RING
S20	YAJ201.S20	O-RING
S21	YAJ201.S21	SCREW
S22	YAJ201.S22	SPRING
S23	YAJ201.S23	BASE
S24	YAJ201.S24	SCREW NUT
S25	YAJ201.S25	STEEL BALL
S26	YAJ201.S26	SCREW NUT
S27	YAJ201.S27	HANDLE
S28	YAJ201.S28	AIR HOSE



Issue: 1
 Issue Date: 170215

ITEM	PART NO	DESCRIPTION	ITEM	PART NO	DESCRIPTION	ITEM	PART NO	DESCRIPTION
ME22	YAJ201.ME22	SCREW NUT	ME45	YAJ201.ME45	PISTON	ME68	YAJ201.ME68	STEEL BALL SEAT
ME23	YAJ201.ME23	O-RING	ME46	YAJ201.ME46	RUBBER CAP	ME69	YAJ201.ME69	STEEL BALL
ME24	YAJ201.ME24	SPRING	ME47	YAJ201.ME47	O-RING	ME70	YAJ201.ME70	SPRING
ME25	YAJ201.ME25	STEEL BALL	ME48	YAJ201.ME48	ELBOW	ME71	YAJ201.ME71	OIL DRAIN VALVE
ME26	YAJ201.ME26	CHECK VALVE	ME49	YAJ201.ME49	SCREW NUT	ME72	YAJ201.ME72	SPRING
ME27	YAJ201.ME27	SILENCER PIECE	ME50	YAJ201.ME50	SPRING	ME73	YAJ201.ME73	CLAMP
ME28	YAJ201.ME28	CLAMP	ME51	YAJ201.ME51	RUBBER BALL	ME74	YAJ201.ME74	T-CONNECTOR
ME29	YAJ201.ME29	SCREW NUT	ME52	YAJ201.ME52	SCREW	ME75	YAJ201.ME75	O-RING
ME30	YAJ201.ME30	O-RING	ME53	YAJ201.ME53	SCREW NUT	ME76	YAJ201.ME76	END COVER
ME31	YAJ201.ME31	SPRING	ME54	YAJ201.ME54	SPRING	ME77	YAJ201.ME77	O-RING
ME32	YAJ201.ME32	STEEL BALL	ME55	YAJ201.ME55	O-RING	ME78	YAJ201.ME78	OIL DRAIN PISTON
ME33	YAJ201.ME33	GUIDE BUSHING	ME56	YAJ201.ME56	PISTON	ME79	YAJ201.ME79	OIL DRAIN BOLT
ME34	YAJ201.ME34	SPACER	ME57	YAJ201.ME57	ELBOW	ME80	YAJ201.ME80	O-RING
ME35	YAJ201.ME35	SEAL	ME58	YAJ201.ME58	ELBOW	ME81	YAJ201.ME81	SCREW NUT
ME36	YAJ201.ME36	PLUNGER BUSHING	ME59	YAJ201.ME59	SPRING	ME82	YAJ201.ME82	LOCKING RING
ME37	YAJ201.ME37	AIR CYLINDER	ME60	YAJ201.ME60	RUBBER BALL	ME83	YAJ201.ME83	O-RING
ME38	YAJ201.ME38	SPRING	ME61	YAJ201.ME61	ELBOW	ME84	YAJ201.ME84	STEEL BALL
ME39	YAJ201.ME39	PLUNGER ROD	ME62	YAJ201.ME62	O-RING	ME85	YAJ201.ME85	SCREW NUT
ME40	YAJ201.ME40	PLUNGER COVER	ME63	YAJ201.ME63	LOCKING RING	ME86	YAJ201.ME86	SPRING
ME41	YAJ201.ME41	O-RING	ME64	YAJ201.ME64	O-RING	ME87	YAJ201.ME87	LOCKING RING
ME42	YAJ201.ME42	PISTON	ME65	YAJ201.ME65	LOCKING RING	ME88	YAJ201.ME88	O-RING
ME43	YAJ201.ME43	SEAL (PK)	ME66	YAJ201.ME66	O-RING	ME89	YAJ201.ME89	AIR INLET BASE
ME44	YAJ201.ME44	SEAL (OE)	ME67	YAJ201.ME67	LOCKING RING			



ITEM	PART NO	DESCRIPTION
S001	YAJ201.S001	OIL CYLINDER ASS'Y
S002	YAJ201.S002	OIL DRAIN VALVE ASS'Y
S003	YAJ201.S003	PUMP ASS'Y
S004	YAJ201.S004	AIR HOSE
S005	YAJ201.S005	TANK COVER
S006	YAJ201.S006	SCREW
S007	YAJ201.S007	WHEEL ASS'Y
S008	YAJ201.S008	SWITCH ASS'Y
S009	YAJ201.S009	HANDLE ASS'Y
S010	YAJ201.S010	EXTENSION (20/50/100mm)
S011	YAJ201.S011	ELBOW
S012	YAJ201.S012	TANK
S013	YAJ201.S013	SCREW
S014	YAJ201.S014	SCREW
S015	YAJ201.S015	SCREW