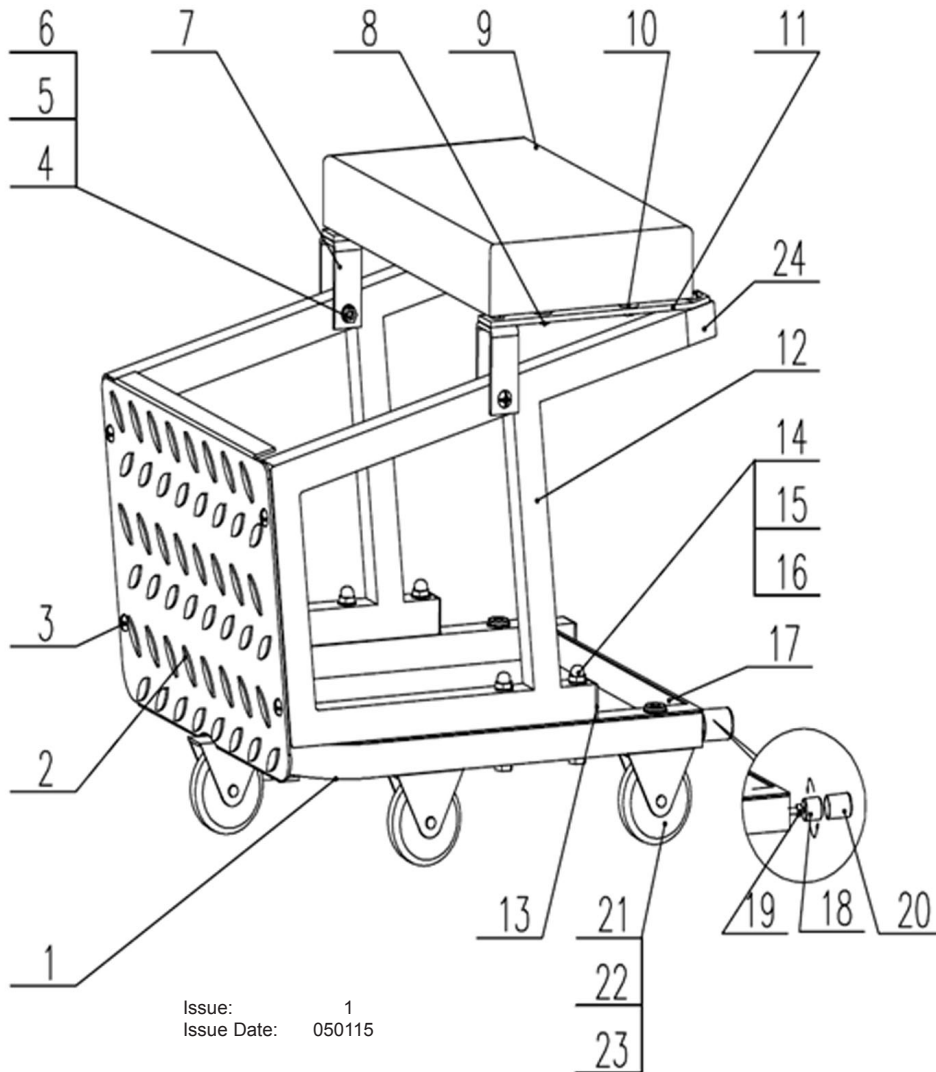




PARTS FOR:
MECHANIC'S UTILITY SEAT & KICK STEP
 MODEL: **SCR16**



Issue: 1
 Issue Date: 050115

ITEM	PART NO	DESCRIPTION	ITEM	PART NO	DESCRIPTION
1	SCR16.01	BASE FRAME	13	SCR16.13	PLASTIC CAP
2	SCR16.02	STEP PLATE	14	SCR16.14	BOLT (M8)
3	SCR16.03	BOLT (M6x16)	15	SCR16.15	FLAT WASHER
4	SCR16.04	FLAT WASHER	16	SCR16.16	BOLT (M8x60)
5	SCR16.05	BOLT (M6x40)	17	SCR16.17	PLASTIC TRAY
6	SCR16.06	BOLT (M6)	18	SCR16.18	ADJUSTABLE LEG
7	SCR16.07	CONNECTION ('U' SHAPE)	19	SCR16.19	NUT (M8)
8	SCR16.08	BOLT (M6x16)	20	SCR16.20	RUBBER BUSHING (A)
9	SCR16.09	SEAT CUSHION	21	SCR16.21	BOLT (M8x24)
10	SCR16.10	CONNECTION PLATE (A)	22	SCR16.22	FLAT WASHER
11	SCR16.11	CONNECTION PLATE (B)	23	SCR16.23	SWIVEL CASTOR
12	SCR16.12	SUPPORT FRAME	24	SCR16.24	RUBBER BUSHING (B)

NOTE: It is our policy to continually improve products and as such we reserve the right to alter data, specifications and component parts without prior notice.

IMPORTANT: No liability is accepted for incorrect use of product.

WARRANTY: Guarantee is 12 months from purchase date, proof of which will be required for any claim.

INFORMATION: For a copy of our latest catalogue and promotions call us on 01284 757525 and leave your full name and address, including postcode.



Sole UK Distributor,
 Sealey Group, Kempson Way,
 Suffolk Business Park,
 Bury St Edmunds, Suffolk, IP32 7AR



01284 757500



01284 703534



www.sealey.co.uk



sales@sealey.co.uk