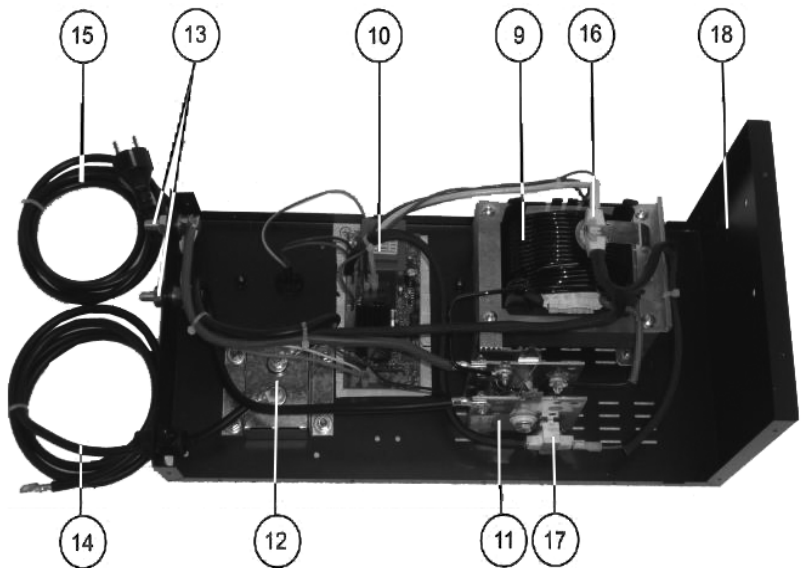
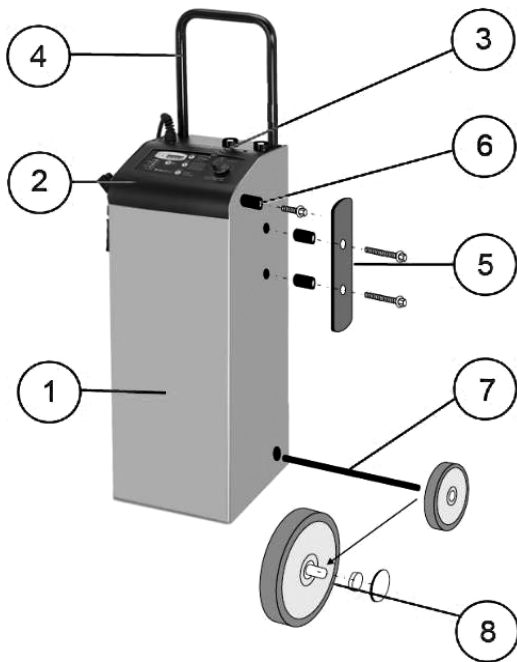
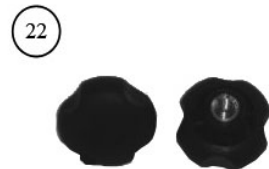
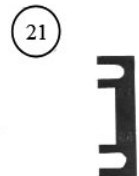




PARTS FOR:  
**ELECTRONIC CHARGER STARTER 12/24V 300A MAX**  
 MODEL: **ECS300**



Issue: 2  
 Issue Date: 04.08.14



ITEM	PART NO	DESCRIPTION
1	ECS300.01	FRONT PANEL
2	ECS300.02	CORD SUPPORT
3	ECS300.03	DISPLAY PANEL
4	ECS300.04	HANDLE
5	ECS300.05	CABLE REEL KIT
6	ECS300.06	CLAMP SUPPORT KIT
7	ECS300.07	WHEEL AXLE
8	ECS300.08	WHEEL KIT
9	ECS300.09	TRANSFORMER
10	ECS300.10	ELECTRONIC CARD
11	ECS300.11	RECTIFIER
12	ECS300.12	FUSE SUPPORT
13	ECS300.13	POWER OUTLET
14	ECS300.14	NEGATIVE CABLE
15	ECS300.15	POWER SUPPLY CABLE
16	ECS300.16	THERMOSTAT 13A
17	ECS300.17	THERMOSTAT 11A
18	ECS300.18	BASE
19	ECS300.19	POSITIVE CLAMP
19A	ECS300.19A	NEGATIVE CLAMP
20	ECS300.20	POSITIVE CABLE
21	120/122351	FUSE (SINGLE- 80A)
--	120/802260	FUSE (PK OF 20 - 80A)
22	ECS300.22	OUTPUT KNOB KIT

**NOTE:** It is our policy to continually improve products and as such we reserve the right to alter data, specifications and component parts without prior notice.

**IMPORTANT:** No liability is accepted for incorrect use of product.

**WARRANTY:** Guarantee is 12 months from purchase date, proof of which will be required for any claim.

**INFORMATION:** For a copy of our latest catalogue and promotions call us on 01284 757525 and leave your full name and address, including postcode.



Sole UK Distributor,  
 Sealey Group, Kempson Way,  
 Suffolk Business Park,  
 Bury St Edmunds, Suffolk, IP32 7AR

01284 757500  
 01284 703534



[www.sealey.co.uk](http://www.sealey.co.uk)

[sales@sealey.co.uk](mailto:sales@sealey.co.uk)