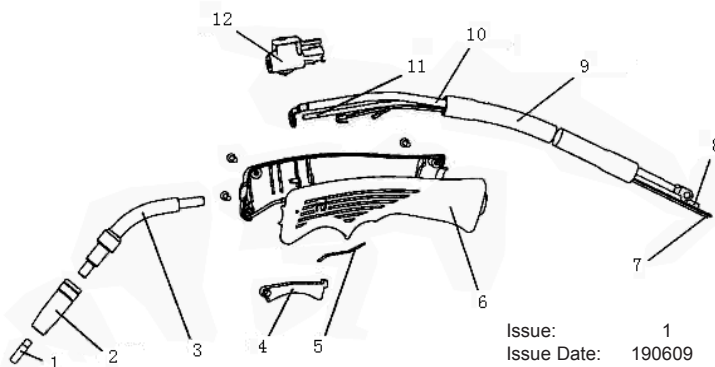


Issue: 1
 Issue Date: 190609

ITEM	PART NO	DESCRIPTION	ITEM	PART NO	DESCRIPTION
1	SMIG150.V3-01	LEFT BOARD	20	SMIG150.V3-20	MAIN TRANSFORMER
2	SMIG150.V3-02	DOOR LOCK	21	SMIG150.V3-21	FAN BRACKET
3	SMIG150.V3-03	FRONT PANEL	22	SMIG150.V3-22	FAN MOTOR
4	SMIG150.V3-04	HANDLE	23	SMIG150.V3-23	FAN BLADE
5	SMIG150.V3-05	PLASTIC FRAME	24	SMIG150.V3-24	RIGHT BOARD
6	SMIG150.V3-06	THERMAL INDICATOR	25	SMIG150.V3-25	WHEEL AXLE BRACKET
7	SMIG150.V3-07	TORCH HOLDER	26	SMIG150.V3-26	PIN
8	SMIG150.V3-08	MIG TORCH	27	SMIG150.V3-27	RUBBER WHEEL
9	SMIG150.V3-09	SWITCH I	28	SMIG150.V3-28	WHEEL AXLE
10	SMIG150.V3-10	SWITCH II	29	SMIG150.V3-29	REAR PANEL
11	SMIG150.V3-11	POTENTIOMETER	30	SMIG150.V3-30	GAS CYLINDER HOLDER
12	SMIG150.V3-12	GROUNDING CABLE	31	SMIG150.V3-31	GAS HOSE CONNECTOR
13	SMIG150.V3-13	POWER CORD	32	SMIG150.V3-32	RECTIFIER BRACKET
14	SMIG150.V3-14	POWER CORD HOLDER	33	SMIG150.V3-33	RECTIFIER
15	SMIG150.V3-15	FEET	34	SMIG150.V3-34	THERMAL RELAY
16	SMIG150.V3-16	BASE	35	SMIG150.V3-35	MIDDLE BOARD
17	SMIG150.V3-17	PCB SUPPORT	36	SMIG150.V3-36	HINGE
18	SMIG150.V3-18	PCB	37	SMIG150.V3-37	SPOOL HOLDER
19	SMIG150.V3-19	CONTROL TRANSFORMER	38	SMIG150.V3-38	WIRE FEEDER

TORCH PARTS

ITEM	PART NO	DESCRIPTION
1	SMIG150.V3-8A	CONTACT TIP
2	SMIG150.V3-8B	NOZZLE
3	SMIG150.V3-8C	SWAN NECK
4	SMIG150.V3-8D	SWITCH
5	SMIG150.V3-8E	SWITCH CONTACT PLATE
6	SMIG150.V3-8F	TORCH HANDLE
7	SMIG150.V3-8G	CONTROL CABLE
8	SMIG150.V3-8H	GAS HOSE
9	SMIG150.V3-8I	PROTECTION TUBE
10	SMIG150.V3-8J	MAIN CABLE
11	SMIG150.V3-8K	LINER
12	SMIG150.V3-8L	GAS VALVE



Issue: 1
 Issue Date: 190609

NOTE: It is our policy to continually improve products and as such we reserve the right to alter data, specifications and component parts without prior notice.

IMPORTANT: No liability is accepted for incorrect use of product.

WARRANTY: Guarantee is 12 months from purchase date, proof of which will be required for any claim.

INFORMATION: For a copy of our latest catalogue and promotions call us on 01284 757525 and leave your full name and address, including postcode.