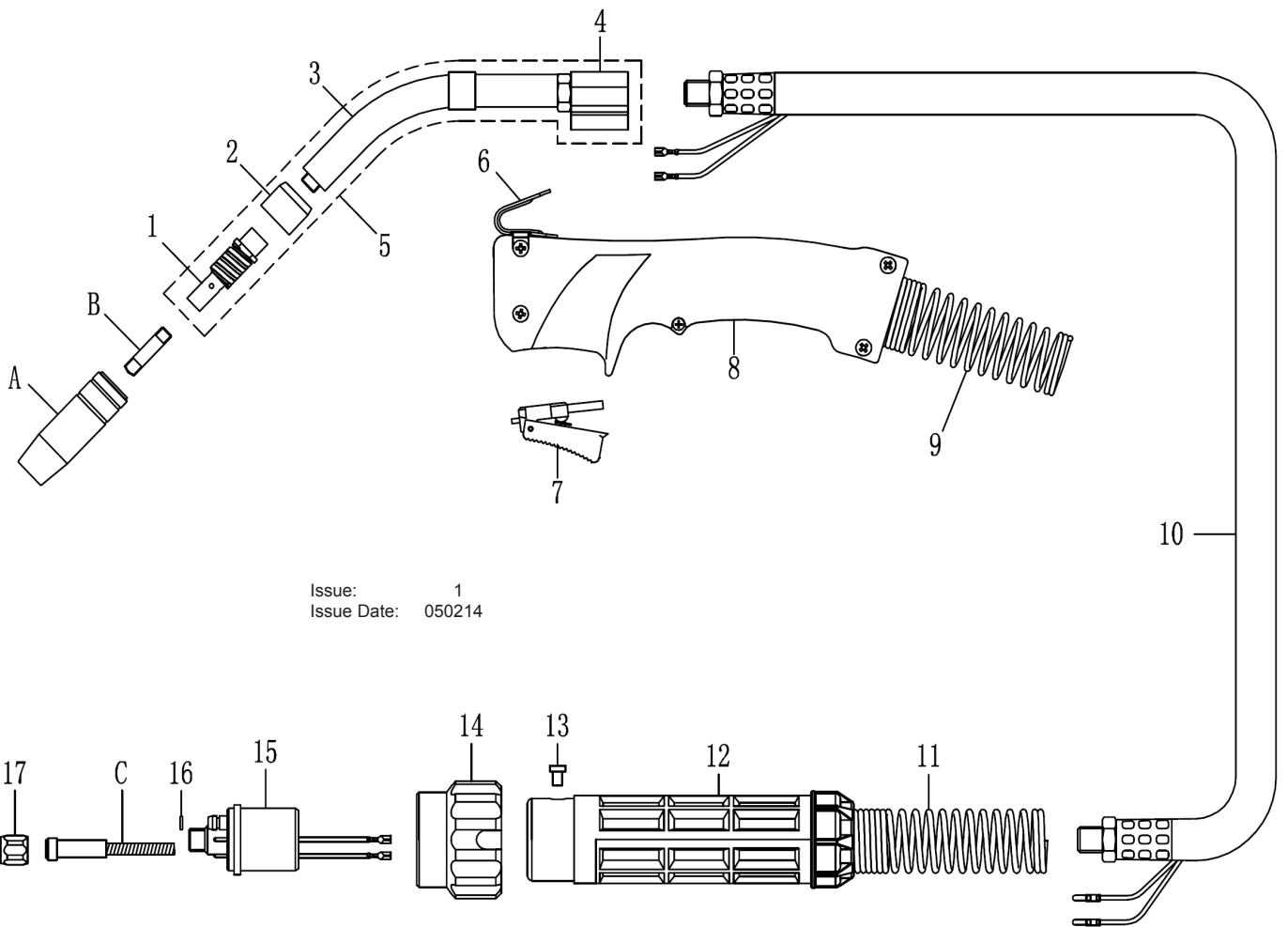




PARTS FOR:
MIG TORCH 3mtr EURO CONNECTOR MB15
 MODEL: **MIG/N315**



Issue: 1
 Issue Date: 050214

ITEM	PART NO	DESCRIPTION	ITEM	PART NO	DESCRIPTION
1	ED1001	DIFFUSER	14	EP2001	GUN PLUG NUT
2	EF1011	HEAD INSULATOR	15	EU1002	CENTRAL ADAPTOR
3	EF1211	INSULATOR TUBE	16	Q504010	O-RING (4x1)
4	EF1212	PLASTIC BODY	17	EU1011	NUT (M10x1)
5	EF1245	SWANNECK	A	120/722423	CONICAL NOZZLE TB14/TB15 Single
6	EG0001	HANGER HOOK		MIG955	CONICAL NOZZLE TB15 Pack of 3
7	EJ0003	TRIGGER	B	120/722416	CONTACT TIP TR-15 M6-06-0.8mm
8	EH0101	HANDLE		MIG957	CONTACT TIP 0.8mm TB14/15 Pack of 5
9	ES0101	FRONT SPRING CABLE SUPPORT		120/722415	CONTACT TIP TR-15 M6-06-0.6mm
10	EL1030	CABLE ASSEMBLY 3mtr		MIG956	CONTACT TIP 0.6mm TB14/15 Pack of 5
11	ES2201	BACK SPRING CABLE SUPPORT		120/722705	CONTACT TIP TR-15 M6-06-1.0
12	EH2201	BACK HANDLE		MIG912	CONTACT TIP 1.0mm TB14/15 Pack of 2
13	EH2211	SCREW (M4x6)	C	ER2210-3	STEEL LINER 0.8-1.0mm x 3mtr

NOTE: It is our policy to continually improve products and as such we reserve the right to alter data, specifications and component parts without prior notice.

IMPORTANT: No liability is accepted for incorrect use of product.

WARRANTY: Guarantee is 12 months from purchase date, proof of which will be required for any claim.

INFORMATION: For a copy of our latest catalogue and promotions call us on 01284 757525 and leave your full name and address, including postcode.



Sole UK Distributor,
 Sealey Group, Kempson Way,
 Suffolk Business Park,
 Bury St Edmunds, Suffolk, IP32 7AR



01284 757500



01284 703534



www.sealey.co.uk



sales@sealey.co.uk