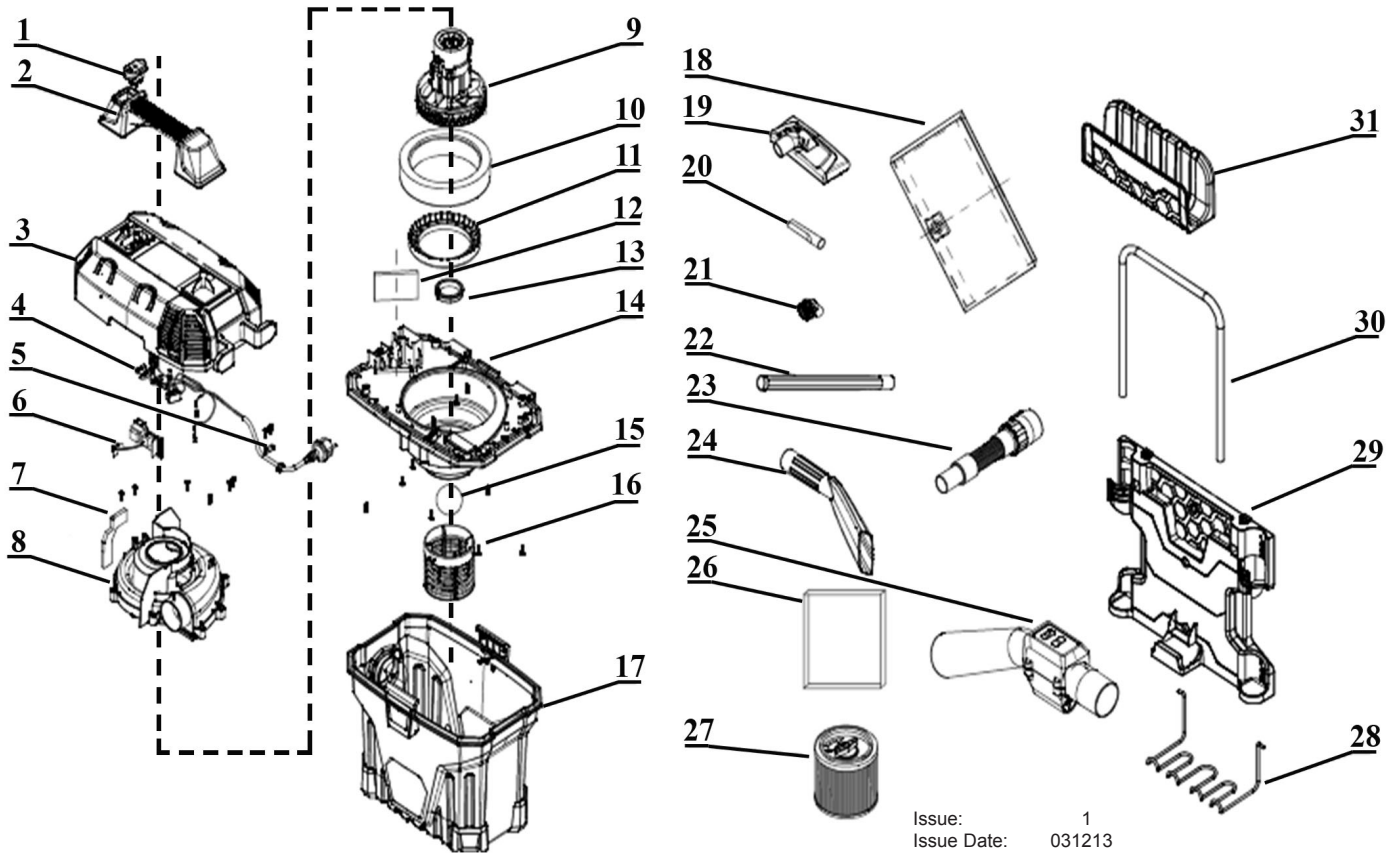




PARTS FOR:
GARAGE VACUUM 1500W with REMOTE CONTROL - WALL MOUNTING
 MODEL: **GV180WM**



Issue: 1
 Issue Date: 031213

ITEM	PART NO	DESCRIPTION
1	GV180WM.01	SWITCH
2	GV180WM.02	HANDLE
3	GV180WM.03	UPPER COVER
4	GV180WM.04	CABLE
5	GV180WM.05	CABLE GRIP
6	GV180WM.06	REMOTE CONTROL PCB
7	GV180WM.07	FOAM
8	GV180WM.08	AIR FLOW COVER
9	GV180WM.09	MOTOR
10	GV180WM.10	FOAM
11	GV180WM.11	SEAL RING
12	GV180WM.12	FOAM
13	GV180WM.13	SEAL RING
14	GV180WM.14	LOWER COVER
15	GV180WM.15	BALL
16	GV180WM.16	CARTRIDGE BASKET

ITEM	PART NO	DESCRIPTION
17	GV180WM.17	TANK
18	GV180WM.18	DUST BAG
19	GV180WM.19	COMBO BRUSH
20	GV180WM.20	CREVICE TOOL
21	GV180WM.21	ROUND BRUSH
22	GV180WM.22	EXTENSION TUBE
23	GV180WM.23	HOSE
24	GV180WM.24	CAR CREVICE TOOL
25	GV180WM.25	REMOTE CONTROL
26	GV180WM.26	FOAM FILTER
27	GV180WM.27	CARTRIDGE FILTER
28	GV180WM.28	HANGING FRAME
29	GV180WM.29	HANGING FRAME ASS'Y
30	GV180WM.30	HANGING FRAME SUPPORT
31	GV180WM.31	UPPER HANGING FRAME

NOTE: It is our policy to continually improve products and as such we reserve the right to alter data, specifications and component parts without prior notice.

IMPORTANT: No liability is accepted for incorrect use of product.

WARRANTY: Guarantee is 12 months from purchase date, proof of which will be required for any claim.

INFORMATION: For a copy of our latest catalogue and promotions call us on 01284 757525 and leave your full name and address, including postcode.



Sole UK Distributor,
 Sealey Group, Kempson Way,
 Suffolk Business Park,
 Bury St Edmunds, Suffolk, IP32 7AR

01284 757500
 01284 703534



www.sealey.co.uk

sales@sealey.co.uk