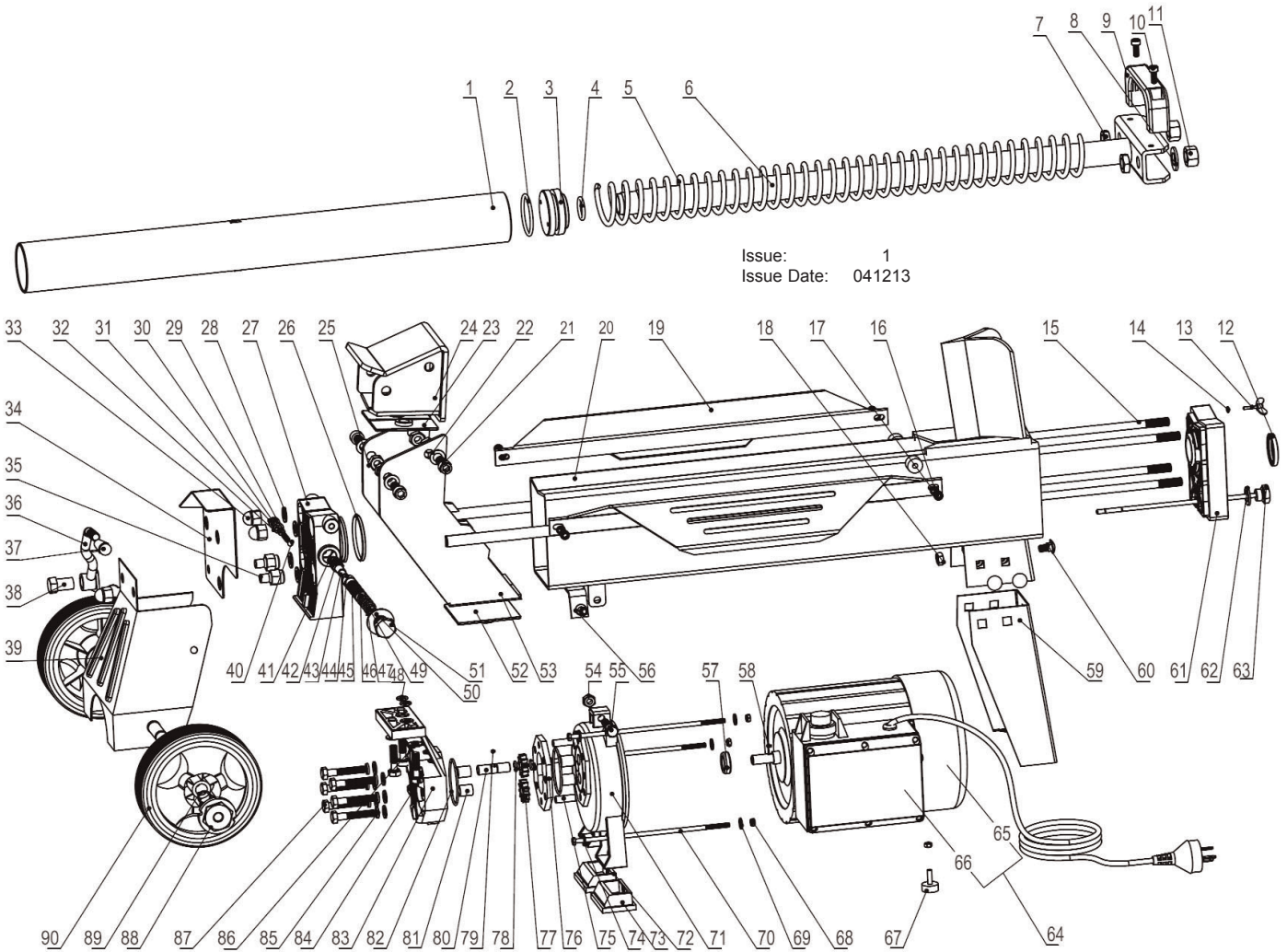




PARTS FOR:
HORIZONTAL LOG SPLITTER 4tonne 370mm CAPACITY
MODEL: LS370H



Issue: 1
 Issue Date: 041213

ITEM	PART NO	DESCRIPTION	ITEM	PART NO	DESCRIPTION	ITEM	PART NO	DESCRIPTION
1	LS370H.01	CYLINDER	31	LS370H.31	SAFETY VALVE BOLT	61	LS370H.61	CYLINDER COVER - RIGHT
2	LS370H.02	PISTON O-RING	32	LS370H.32	O-RING	62	LS370H.62	DIPSTICK GASKET
3	LS370H.03	PISTON	33	LS370H.33	ROUND HEAD NUT	63	LS370H.63	DIPSTICK
4	LS370H.04	O-RING	34	LS370H.34	LEVER GUARD	64	LS370H.64	MOTOR WITH SWITCH
5	LS370H.05	SPRING	35	LS370H.35	NUT	65	LS370H.65	MOTOR
6	LS370H.06	POSITION ROD WELDMENT	36	LS370H.36	LEVER WELDMENT	66	LS370H.66	SWITCH BOX
7	LS370H.07	NUT	37	LS370H.37	LEVER HEAD	67	LS370H.67	BOLT
8	LS370H.08	WASHER	38	LS370H.38	LEVER NUT	68	LS370H.68	NUT
9	LS370H.09	MOVING HANDLE	39	LS370H.39	WHEEL FRAME PLATE WELDMENT	69	LS370H.69	SPRING WASHER
10	LS370H.10	HEX BOLT	40	LS370H.40	STEEL BALL, 6mm	70	LS370H.70	BOLT
11	LS370H.11	NUT M14	41	LS370H.41	CIRCLIP	71	LS370H.71	MOTOR COVER
12	LS370H.12	PLASTIC SEAL	42	LS370H.42	RESTORE VALVE SPRING	72	LS370H.72	MOTOR SUPPORT SHOE - LEFT
13	LS370H.13	WING SCREW / BLEED SCREW	43	LS370H.43	VALVE ROD	73	LS370H.73	MOTOR SUPPORT SHOE - RIGHT
14	LS370H.14	O-RING	44	LS370H.44	O-RING	74	LS370H.74	WASHER
15	LS370H.15	LONG STUB	45	LS370H.45	VALVE SLEEVE	75	LS370H.75	PIN
16	LS370H.16	HEX BOLT	46	LS370H.46	O-RING	76	LS370H.76	GEAR HOUSING PLATE
17	LS370H.17	SPRING WASHER	47	LS370H.47	SLIDING SLEEVE SPRING	77	LS370H.77	GEAR
18	LS370H.18	NUT	48	LS370H.48	O-RING	78	LS370H.78	GEAR SHAFT SNAP WASHER
19	LS370H.19	SUPPORT PLATE	49	LS370H.49	SLIDING SLEEVE	79	LS370H.79	PIN
20	LS370H.20	TUBE FRAME / OIL TANK	50	LS370H.50	WASHER	80	LS370H.80	GEAR SHAFT
21	LS370H.21	HEX BOLT	51	LS370H.51	VALVE PLUG	81	LS370H.81	SLIDING BEARING
22	LS370H.22	WASHER	52	LS370H.52	LOWER PLASTIC INSERT	82	LS370H.82	O-RING
23	LS370H.23	UPPER PLASTIC INSERT	53	LS370H.53	DRAWING WELDMENT	83	LS370H.83	PUMP COVER
24	LS370H.24	LOG PUSHER WELDMENT	54	LS370H.54	LOOSE NUT	84	LS370H.84	BOLT
25	LS370H.25	NUT	55	LS370H.55	HEX BOLT	85	LS370H.85	SPRING WASHER
26	LS370H.26	O-RING	56	LS370H.56	WASHER	86	LS370H.86	WASHER
27	LS370H.27	CYLINDER COVER - LEFT	57	LS370H.57	MOTOR SHAFT SEAL	87	LS370H.87	BOLT
28	LS370H.28	COPPER GASKET	58	LS370H.58	STEEL BALL 2.5mm	88	LS370H.88	WHEEL COVER
29	LS370H.29	SAFETY VALVE SPRING	59	LS370H.59	CARRIAGE	89	LS370H.89	WHEEL SHAFT SNAP RING
30	LS370H.30	SCREW	60	LS370H.60	SUPPORT LEG	90	LS370H.90	WHEEL

NOTE: It is our policy to continually improve products and as such we reserve the right to alter data, specifications and component parts without prior notice.

IMPORTANT: No liability is accepted for incorrect use of product.

WARRANTY: Guarantee is 12 months from purchase date, proof of which will be required for any claim.

INFORMATION: For a copy of our latest catalogue and promotions call us on 01284 757525 and leave your full name and address, including postcode.



Sole UK Distributor,
 Sealey Group, Kempson Way,
 Suffolk Business Park,
 Bury St Edmunds, Suffolk, IP32 7AR



01284 757500



01284 703534



www.sealey.co.uk



sales@sealey.co.uk