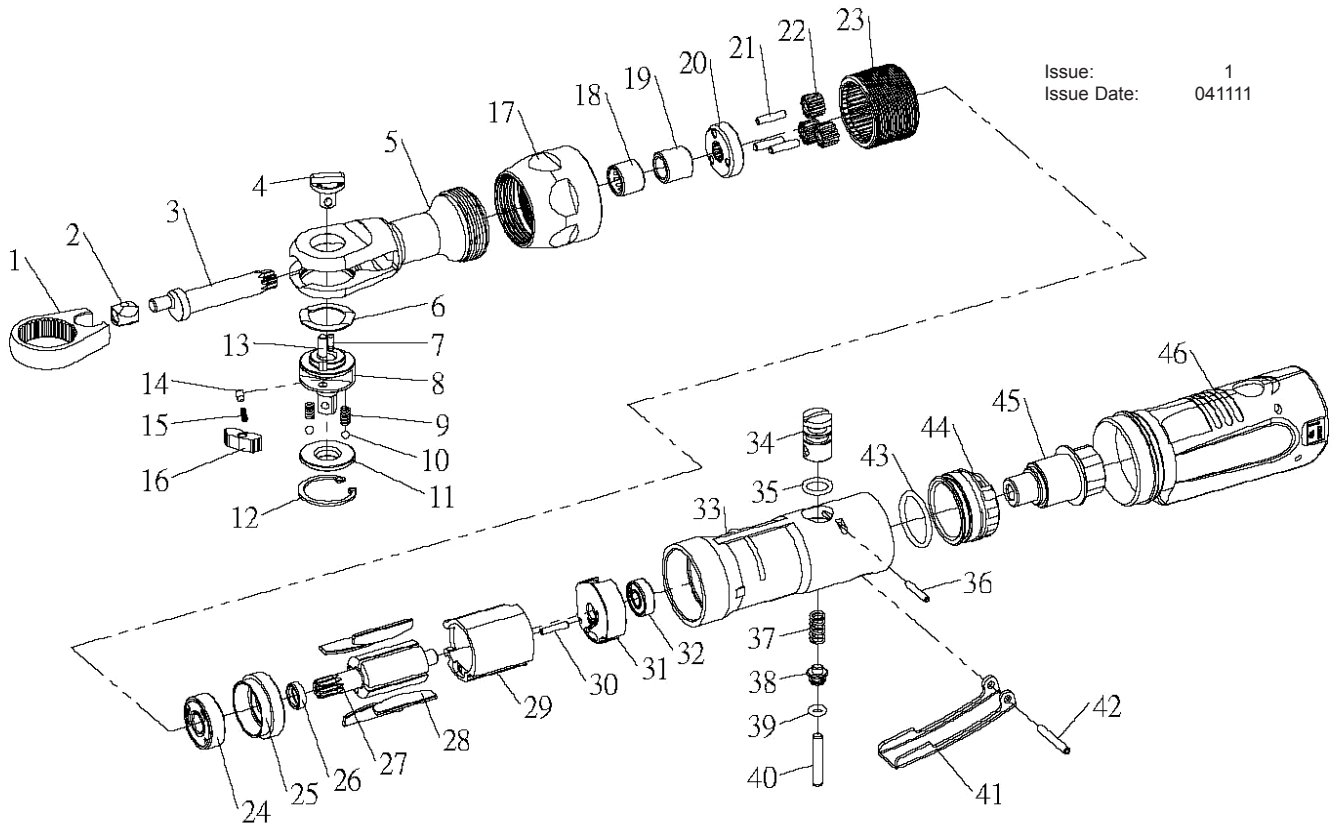


Issue: 1  
 Issue Date: 041111



ITEM	PART NO	DESCRIPTION	ITEM	PART NO	DESCRIPTION
1	SA630.V3-01	RATCHET YOKE	24	SA630.V3-24	BALL BEARING (608zz)
2	SA630.V3-02	DRIVE BUSHING	25	SA630.V3-25	FRONT END PLATE
3	SA630.V3-03	CRANK SHAFT	26	SA630.V3-26	BEARING SPACER
4	SA630.V3-04	REVERSING CAP	27	SA630.V3-27	ROTOR
5	SA630.V3-05	RATCHET HOUSING	28	SA630.V3-28	ROTOR BLADE
6	SA630.V3-06	WASHER	29	SA630.V3-29	CYLINDER
7	SA630.V3-07	SPRING PIN (2X6mm)	30	SA630.V3-30	SPRING PIN (2.5X14)
8	SA630.V3-08	RATCHET ANVIL	31	SA630.V3-31	REAR END PLATE
9	SA630.V3-09	SPRING	32	SA630.V3-32	BALL BEARING (696ZZ)
10	SA630.V3-10	STEEL BALL	33	SA630.V3-33	HOUSING
11	SA630.V3-11	THRUST WASHER	34	SA630.V3-34	AIR REGULATOR
12	SA630.V3-12	RETAINING RING	35	SA630.V3-35	O-RING (P9)
13	SA630.V3-13	PIN (3.3X9mm)	36	SA630.V3-36	SPRING PIN (2.5X16)
14	SA630.V3-14	SPRING CAP	37	SA630.V3-37	VALVE SPRING
15	SA630.V3-15	SPRING	38	SA630.V3-38	THROTTLE VALVE
16	SA630.V3-16	PAWL	39	SA630.V3-39	O-RING (P4)
17	SA630.V3-17	COUPLING NUT	40	SA630.V3-40	VALVE SHAFT
18	SA630.V3-18	NEEDLE BEARING	41	SA630.V3-41	THROTTLE LEVER
19	SA630.V3-19	BUSHING	42	SA630.V3-42	SPRING PIN (3X22)
20	SA630.V3-20	IDLER GEAR PLATE	43	SA630.V3-43	O-RING (S022.4)
21	SA630.V3-21	PIN (3X13mm)	44	SA630.V3-44	EXHAUST SLEEVE
22	SA630.V3-22	IDLER GEAR	45	SA630.V3-45	INLET BUSHING
23	SA630.V3-23	THREADED RING GEAR	46	SA630.V3-46	HOUSING COVER

**NOTE:** It is our policy to continually improve products and as such we reserve the right to alter data, specifications and component parts without prior notice.

**IMPORTANT:** No liability is accepted for incorrect use of product.

**WARRANTY:** Guarantee is 12 months from purchase date, proof of which will be required for any claim.

**INFORMATION:** For a copy of our latest catalogue and promotions call us on 01284 757525 and leave your full name and address, including postcode.