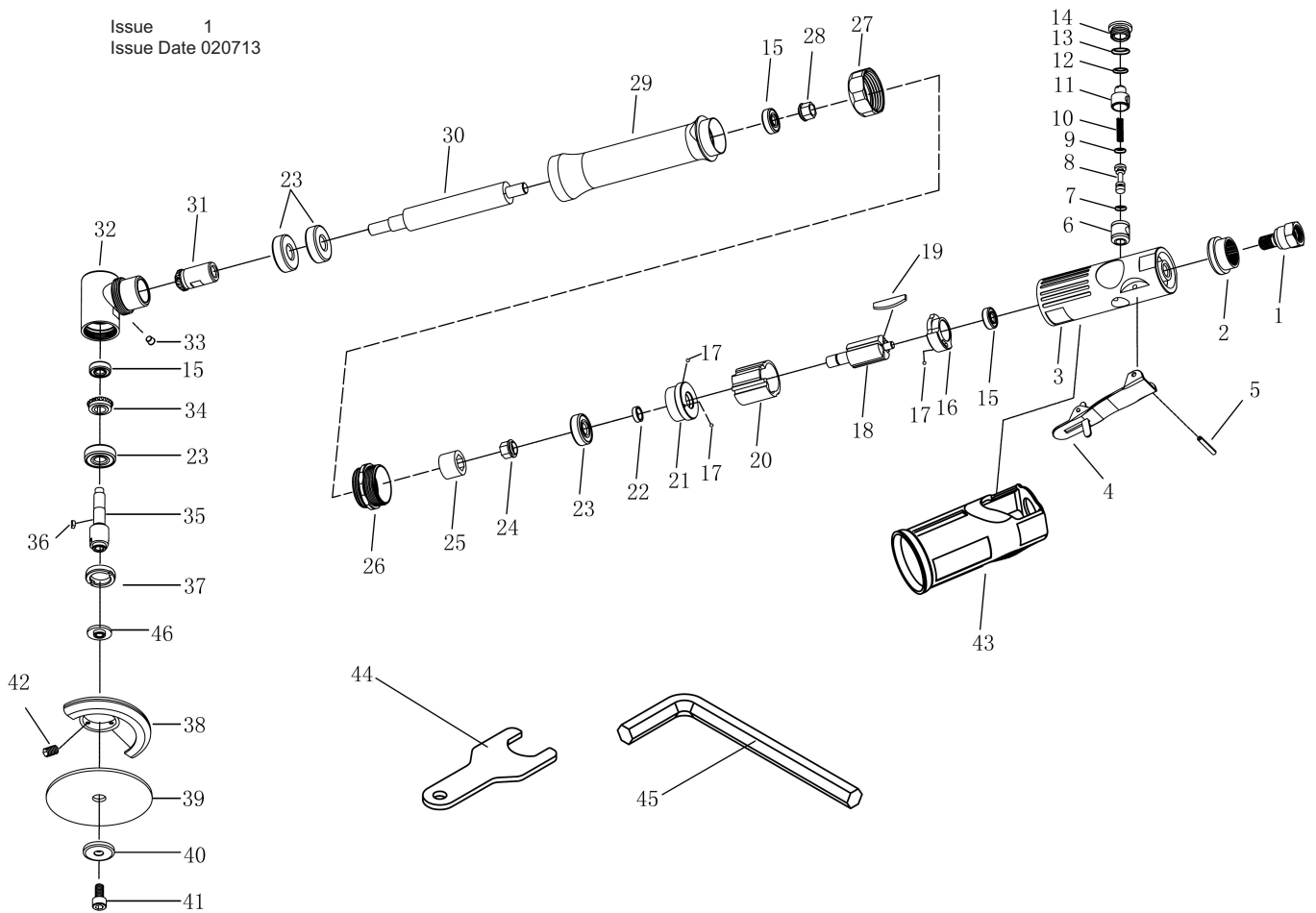


Issue 1  
 Issue Date 020713



ITEM	PART NO.	DESCRIPTION	ITEM	PART NO.	DESCRIPTION
1	SA2501.01	INLET	25	SA2501.25	VALVE PLUG
2	SA2501.02	END CAP	26	SA2501.26	NIPPLE
3	SA2501.03	HOUSING	27	SA2501.27	NUT
4	SA2501.04	CONTROL LEVER	28	SA2501.28	CAP
5	SA2501.05	SPRING PIN	29	SA2501.29	SPINDLE HOUSING
6	SA2501.06	BUSHING	30	SA2501.30	SPINDLE
7	SA2501.07	O-RING	31	SA2501.31	BEVEL GEAR
8	SA2501.08	VALVE	32	SA2501.32	ANGLE HEAD
9	SA2501.09	O-RING	33	SA2501.33	GREASE CAP
10	SA2501.10	SPRING	34	SA2501.34	BEVEL GEAR
11	SA2501.11	SPEED CONTROL	35	SA2501.35	SPINDLE
12	SA2501.12	O-RING	36	SA2501.36	KEY
13	SA2501.13	O-RING	37	SA2501.37	NIPPLE
14	SA2501.14	VALVE SCREW	38	SA2501.38	PROTECTOR
15	SA2501.15	BEARING	39	PTC/3C	CUTTING DISC 75 x 2mm 10mm BORE
16	SA2501.16	END PLATE		PTC/3C5	CUTTING DISC 75 x 2mm 10mm BORE (PK5)
17	SA2501.17	STEEL BALL	40	SA2501.40	FLANGE
18	SA2501.18	ROTOR	41	SA2501.41	SCREW
19	SA2501.19	ROTOR VANE (SET OF 4)	42	SA2501.42	SCREW
20	SA2501.20	CYLINDER	43	SA2501.43	SLEEVE
21	SA2501.21	FRONT END PLATE	44	SA2501.44	WRENCH
22	SA2501.22	BUSHING	45	SA2501.45	HEX WRENCH
23	SA2501.23	BEARING	46	SA2501.46	FLANGE
24	SA2501.24	CAP			

**NOTE:** It is our policy to continually improve products and as such we reserve the right to alter data, specifications and component parts without prior notice.

**IMPORTANT:** No liability is accepted for incorrect use of product.

**WARRANTY:** Guarantee is 12 months from purchase date, proof of which will be required for any claim.

**INFORMATION:** For a copy of our latest catalogue and promotions call us on 01284 757525 and leave your full name and address, including postcode.