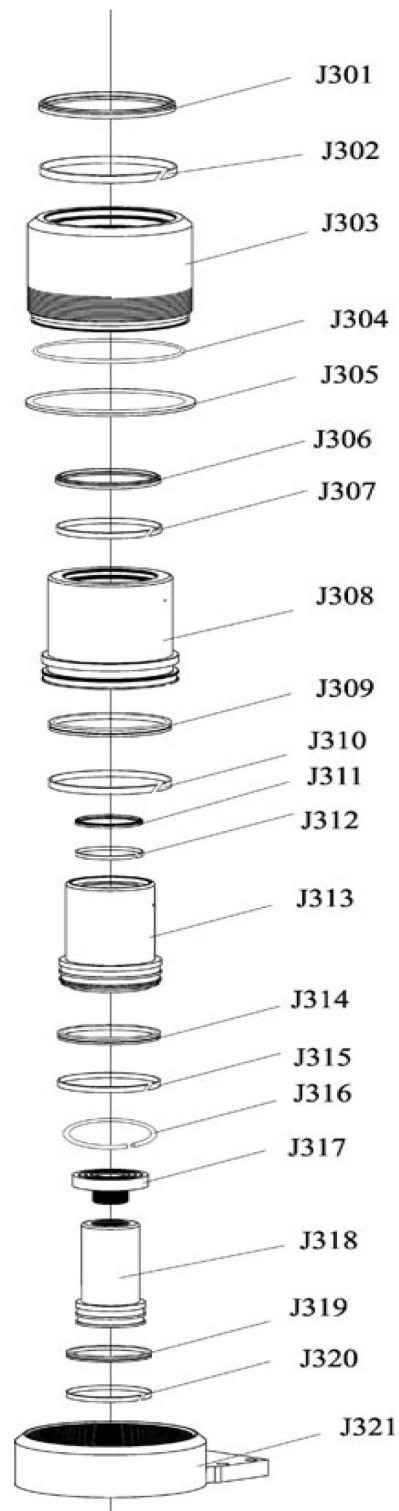


OIL CYLINDER ASSEMBLY

ITEM	PART NO	DESCRIPTION
J301	YAJ1040LEL.01	DUSTPROOF RING
J302	YAJ1040LEL.02	GUIDE RING
J303	YAJ1040LEL.03	OUTER SLEEVE
J304	YAJ1040LEL.04	O-RING
J305	YAJ1040LEL.05	LOCKING RING
J306	YAJ1040LEL.06	DUSTPROOF RING
J307	YAJ1040LEL.07	GUIDE RING
J308	YAJ1040LEL.08	INNER SLEEVE
J309	YAJ1040LEL.09	XTP SEAL
J310	YAJ1040LEL.10	GUIDE RING
J311	YAJ1040LEL.11	DUSTPROOF RING
J312	YAJ1040LEL.12	GUIDE RING
J313	YAJ1040LEL.13	INNER SLEEVE
J314	YAJ1040LEL.14	XTP SEAL
J315	YAJ1040LEL.15	GUIDE RING
J316	YAJ1040LEL.16	SPRING WASHER
J317	YAJ1040LEL.17	TOP COVER
J318	YAJ1040LEL.18	PISTON
J319	YAJ1040LEL.19	XTP SEAL
J320	YAJ1040LEL.20	GUIDE RING
J321	YAJ1040LEL.21	BASEMENT



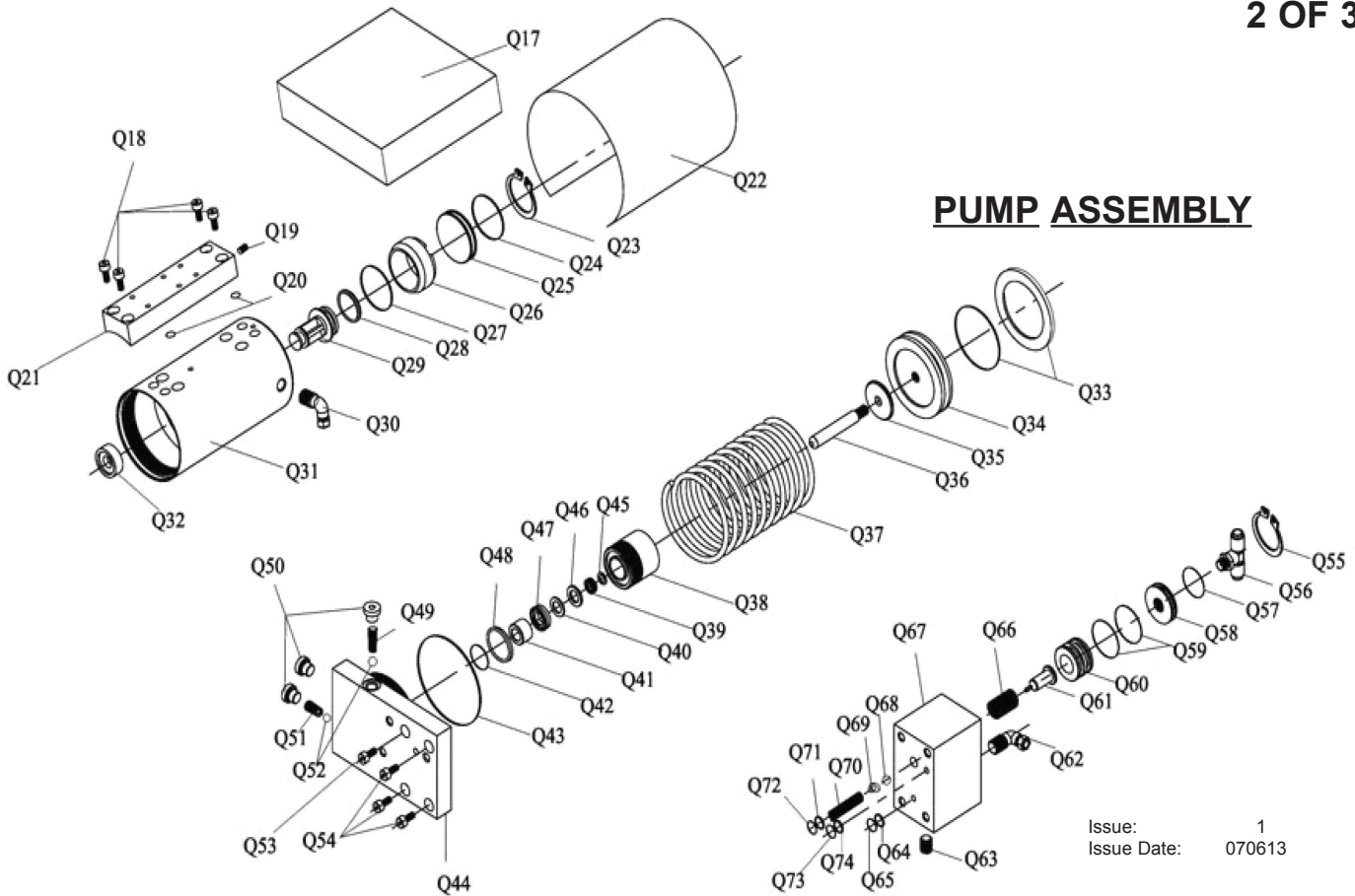
Issue: 1
 Issue Date: 070613

NOTE: It is our policy to continually improve products and as such we reserve the right to alter data, specifications and component parts without prior notice.

IMPORTANT: No liability is accepted for incorrect use of product.

WARRANTY: Guarantee is 12 months from purchase date, proof of which will be required for any claim.

INFORMATION: For a copy of our latest catalogue and promotions call us on 01284 757525 and leave your full name and address, including postcode.



PUMP ASSEMBLY

Issue: 1
 Issue Date: 070613

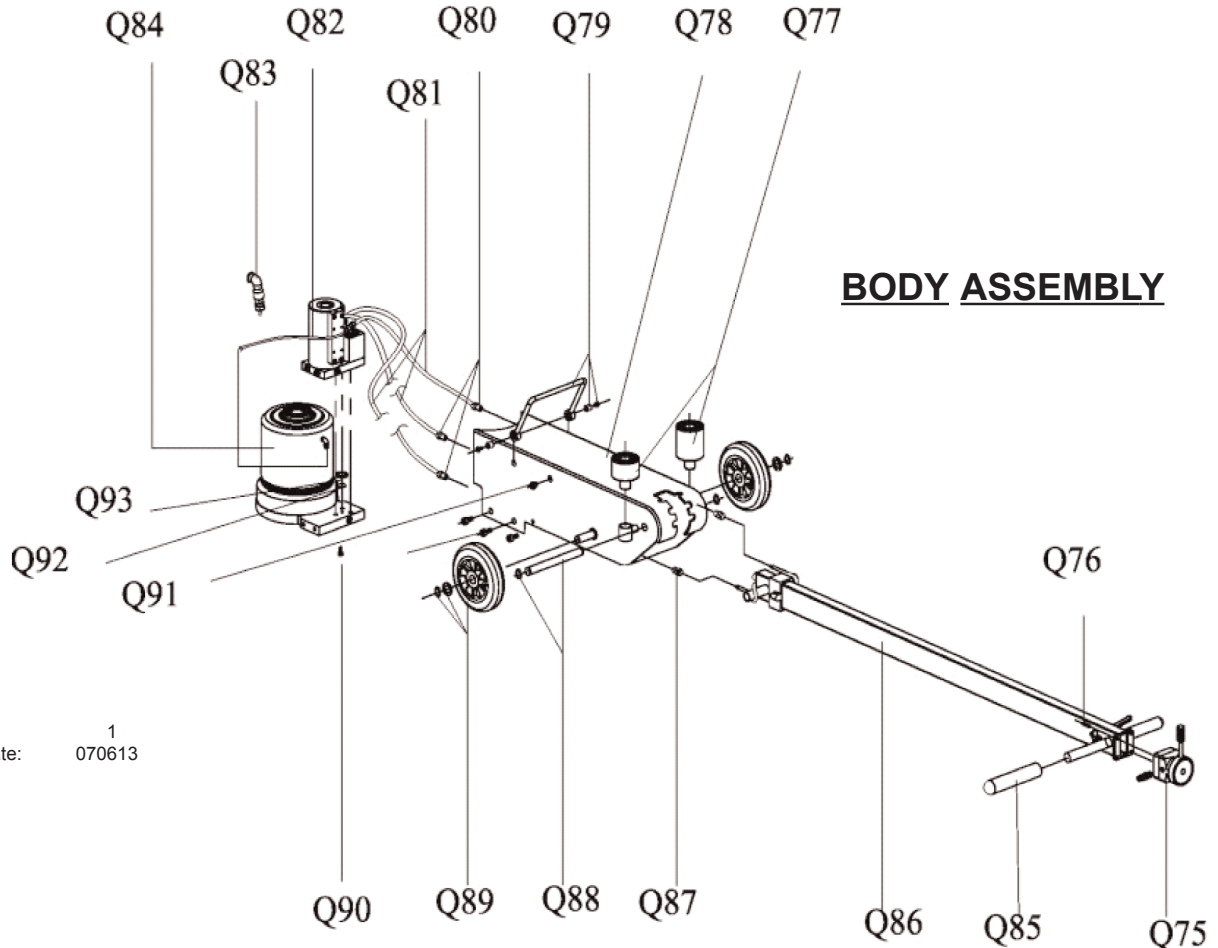
ITEM	PART NO	DESCRIPTION	ITEM	PART NO	DESCRIPTION
Q17	YAJ1040LEL.22	FOAM PAD	Q46	YAJ1040LEL.51	SPACER
Q18	YAJ1040LEL.23	SCREW	Q47	YAJ1040LEL.52	B3 SEAL
Q19	YAJ1040LEL.24	SCREW	Q48	YAJ1040LEL.53	LOCKING RING
Q20	YAJ1040LEL.25	O-RING	Q49	YAJ1040LEL.54	SPRING
Q21	YAJ1040LEL.26	PROTECTING COVER	Q50	YAJ1040LEL.55	SCREW
Q22	YAJ1040LEL.27	PROTECTING COVER	Q51	YAJ1040LEL.56	SPRING
Q23	YAJ1040LEL.28	RETAINING RING	Q52	YAJ1040LEL.57	STEEL BALL
Q24	YAJ1040LEL.29	O-RING	Q53	YAJ1040LEL.58	SCREW
Q25	YAJ1040LEL.30	END COVER	Q54	YAJ1040LEL.59	SCREW
Q26	YAJ1040LEL.31	INNER SLEEVE	Q55	YAJ1040LEL.60	CLAMP SPRING
Q27	YAJ1040LEL.32	O-RING	Q56	YAJ1040LEL.61	T-PIECE
Q28	YAJ1040LEL.33	U RING	Q57	YAJ1040LEL.62	O-RING
Q29	YAJ1040LEL.34	PISTON	Q58	YAJ1040LEL.63	END COVER
Q30	YAJ1040LEL.35	ELBOW	Q59	YAJ1040LEL.64	O-RING
Q31	YAJ1040LEL.36	AIR CYLINDER	Q60	YAJ1040LEL.65	OIL DRAIN PISTON
Q32	YAJ1040LEL.37	RUBBER CAP	Q61	YAJ1040LEL.66	OIL DRAIN BOLT
Q33	YAJ1040LEL.38	OE SEAL	Q62	YAJ1040LEL.67	ELBOW
Q34	YAJ1040LEL.39	PISTON	Q63	YAJ1040LEL.68	SCREW
Q35	YAJ1040LEL.40	SPACER	Q64	YAJ1040LEL.69	LOCKING RING
Q36	YAJ1040LEL.41	PLUNGER ROD	Q65	YAJ1040LEL.70	O-RING
Q37	YAJ1040LEL.42	SPRING	Q66	YAJ1040LEL.71	SPRING
Q38	YAJ1040LEL.43	PLUNGER BUSHING	Q67	YAJ1040LEL.72	OIL DRAIN VALVE
Q39	YAJ1040LEL.44	B3 SEAL	Q68	YAJ1040LEL.73	STEEL BALL
Q40	YAJ1040LEL.45	SPACER	Q69	YAJ1040LEL.74	SCREW
Q41	YAJ1040LEL.46	GUIDE BUSHING	Q70	YAJ1040LEL.75	SPRING
Q42	YAJ1040LEL.47	O-RING	Q71	YAJ1040LEL.76	LOCKING RING
Q43	YAJ1040LEL.48	O-RING	Q72	YAJ1040LEL.77	O-RING
Q44	YAJ1040LEL.49	CHECK VALVE	Q73	YAJ1040LEL.78	LOCKING RING
Q45	YAJ1040LEL.50	LOCKING RING	Q74	YAJ1040LEL.79	O-RING

NOTE: It is our policy to continually improve products and as such we reserve the right to alter data, specifications and component parts without prior notice.

IMPORTANT: No liability is accepted for incorrect use of product.

WARRANTY: Guarantee is 12 months from purchase date, proof of which will be required for any claim.

INFORMATION: For a copy of our latest catalogue and promotions call us on 01284 757525 and leave your full name and address, including postcode.



Issue: 1
 Issue Date: 070613

ITEM	PART NO	DESCRIPTION	ITEM	PART NO	DESCRIPTION
Q75	YAJ1040LEL.80	SWITCH	Q85	YAJ1040LEL.90	HANDLE COVER
Q76	YAJ1040LEL.81	SCREW	Q86	YAJ1040LEL.91	HANDLE
Q77	YAJ1040LEL.82	ADAPTOR	Q87	YAJ1040LEL.92	TIE IN
Q78	YAJ1040LEL.83	TANK BODY	Q88	YAJ1040LEL.93	AXLE
Q79	YAJ1040LEL.84	LIFTING HANDLE SETS	Q89	YAJ1040LEL.94	WHEEL
Q80	YAJ1040LEL.85	TIE IN	Q90	YAJ1040LEL.95	SCREW
Q81	YAJ1040LEL.86	AIR PIPE AND OIL PIPE	Q91	YAJ1040LEL.96	SCREW
Q82	YAJ1040LEL.87	PUMP ASSEMBLY	Q92	YAJ1040LEL.97	O-RING
Q83	YAJ1040LEL.88	TIE IN	Q93	YAJ1040LEL.98	LOCKING RING
Q84	YAJ1040LEL.89	OIL CYCLINDER ASS'Y			

NOTE: It is our policy to continually improve products and as such we reserve the right to alter data, specifications and component parts without prior notice.

IMPORTANT: No liability is accepted for incorrect use of product.

WARRANTY: Guarantee is 12 months from purchase date, proof of which will be required for any claim.

INFORMATION: For a copy of our latest catalogue and promotions call us on 01284 757525 and leave your full name and address, including postcode.