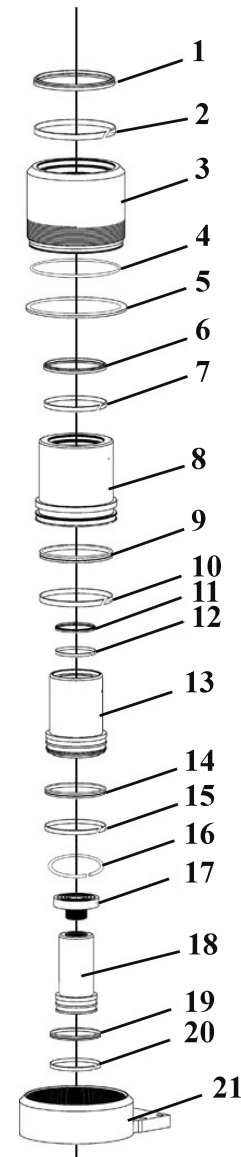


OIL CYLINDER ASSEMBLY

ITEM	PART NO	DESCRIPTION
1	YAJ20-60LR.01	DUSTPROOF RING
2	YAJ20-60LR.02	GUIDE RING
3	YAJ20-60LR.03	OUTER SLEEVE
4	YAJ20-60LR.04	O-RING
5	YAJ20-60LR.05	LOCKING RING
6	YAJ20-60LR.06	DUSTPROOF RING
7	YAJ20-60LR.07	GUIDE RING
8	YAJ20-60LR.08	INNER SLEEVE
9	YAJ20-60LR.09	SEAL RING
10	YAJ20-60LR.10	GUIDE RING
11	YAJ20-60LR.11	DUSTPROOF RING
12	YAJ20-60LR.12	GUIDE RING
13	YAJ20-60LR.13	INNER SLEEVE
14	YAJ20-60LR.14	SEAL RING
15	YAJ20-60LR.15	GUIDE RING
16	YAJ20-60LR.16	SPRING WASHER
17	YAJ20-60LR.17	TOP COVER
18	YAJ20-60LR.18	PISTON
19	YAJ20-60LR.19	SEAL RING
20	YAJ20-60LR.20	GUIDE RING
21	YAJ20-60LR.21	BASE

Issue: 1
 Issue Date: 180213



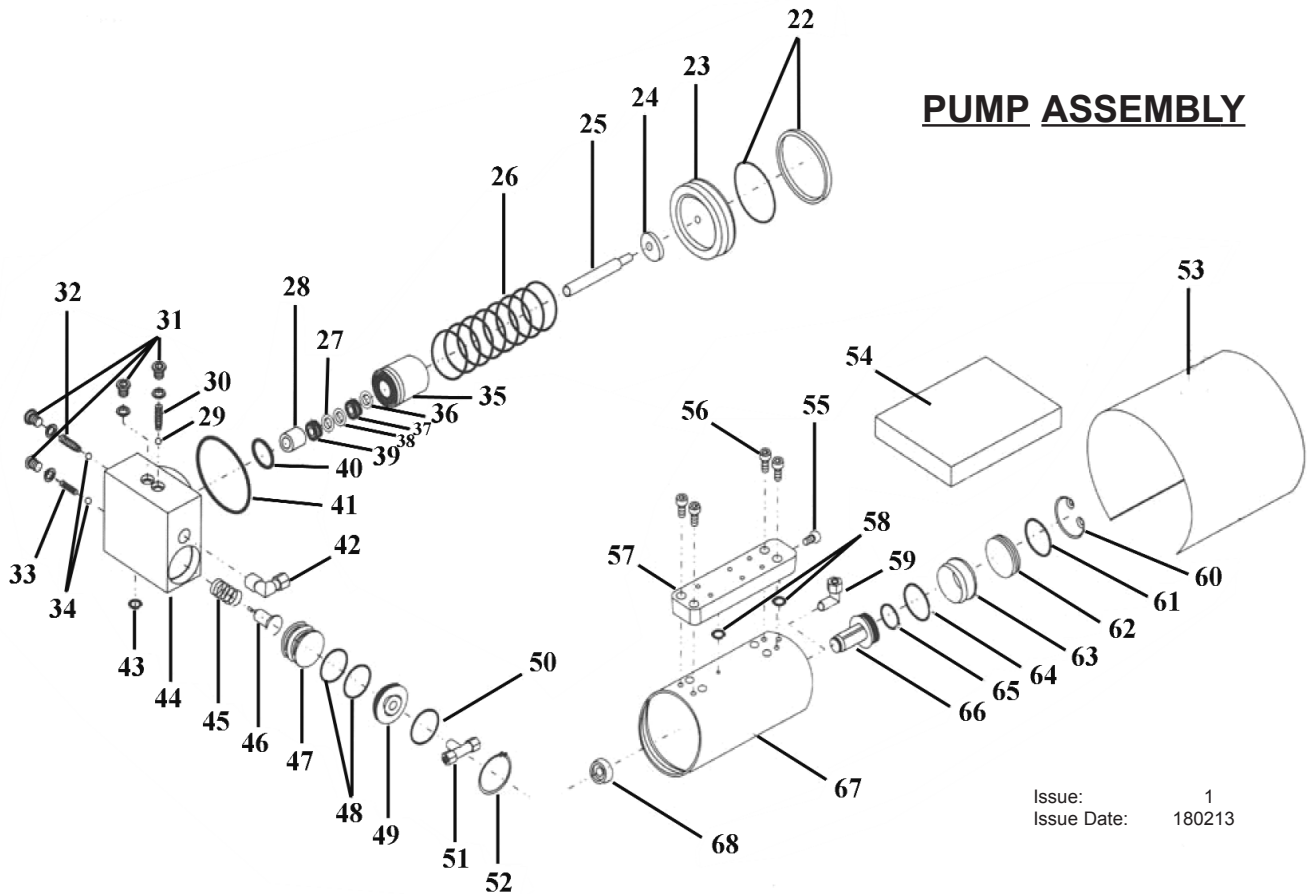
NOTE: It is our policy to continually improve products and as such we reserve the right to alter data, specifications and component parts without prior notice.

IMPORTANT: No liability is accepted for incorrect use of product.

WARRANTY: Guarantee is 12 months from purchase date, proof of which will be required for any claim.

INFORMATION: For a copy of our latest catalogue and promotions call us on 01284 757525 and leave your full name and address, including postcode.

PUMP ASSEMBLY



Issue: 1
 Issue Date: 180213

ITEM	PART NO	DESCRIPTION	ITEM	PART NO	DESCRIPTION
22	YAJ20-60LR.22	OE SEAL	46	YAJ20-60LR.46	OIL DRAIN BOLT
23	YAJ20-60LR.23	PISTON	47	YAJ20-60LR.47	OIL DRAIN PISTON
24	YAJ20-60LR.24	SPACER	48	YAJ20-60LR.48	O-RING
25	YAJ20-60LR.25	PLUNGER ROD	49	YAJ20-60LR.49	END COVER
26	YAJ20-60LR.26	SPRING	50	YAJ20-60LR.50	O-RING
27	YAJ20-60LR.27	SPACER	51	YAJ20-60LR.51	T-PIECE
28	YAJ20-60LR.28	GUIDE SLEEVE	52	YAJ20-60LR.52	RETAINING RING
29	YAJ20-60LR.29	STEEL BALL	53	YAJ20-60LR.53	PROTECTING COVER
30	YAJ20-60LR.30	SPRING	54	YAJ20-60LR.54	FOAM PAD
31	YAJ20-60LR.31	SCREW	55	YAJ20-60LR.55	SCREW
32	YAJ20-60LR.32	SPRING	56	YAJ20-60LR.56	SCREW
33	YAJ20-60LR.33	SPRING	57	YAJ20-60LR.57	PROTECTING COVER
34	YAJ20-60LR.34	STEEL BALL	58	YAJ20-60LR.58	O-RING
35	YAJ20-60LR.35	OIL PUMP	59	YAJ20-60LR.59	ELBOW
36	YAJ20-60LR.36	LOCK RING	60	YAJ20-60LR.60	RETAINING RING
37	YAJ20-60LR.37	SEAL	61	YAJ20-60LR.61	O-RING
38	YAJ20-60LR.38	SPACER	62	YAJ20-60LR.62	END COVER
39	YAJ20-60LR.39	SEAL	63	YAJ20-60LR.63	INNER SLEEVE
40	YAJ20-60LR.40	O-RING	64	YAJ20-60LR.64	O-RING
41	YAJ20-60LR.41	O-RING	65	YAJ20-60LR.65	O-RING
42	YAJ20-60LR.42	ELBOW	66	YAJ20-60LR.66	PISTON
43	YAJ20-60LR.43	O-RING	67	YAJ20-60LR.67	AIR CYLINDER
44	YAJ20-60LR.44	PUMP BLOCK	68	YAJ20-60LR.68	RUBBER CAP
45	YAJ20-60LR.45	SPRING			

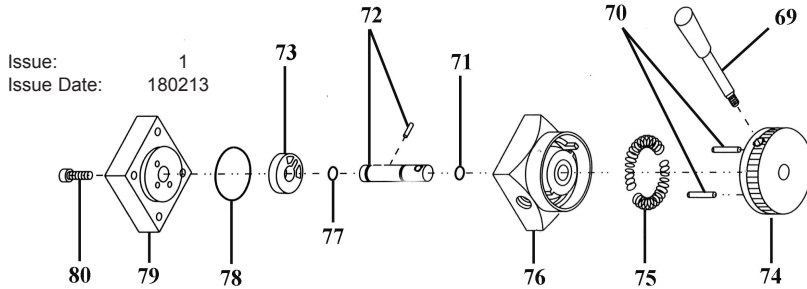
NOTE: It is our policy to continually improve products and as such we reserve the right to alter data, specifications and component parts without prior notice.

IMPORTANT: No liability is accepted for incorrect use of product.

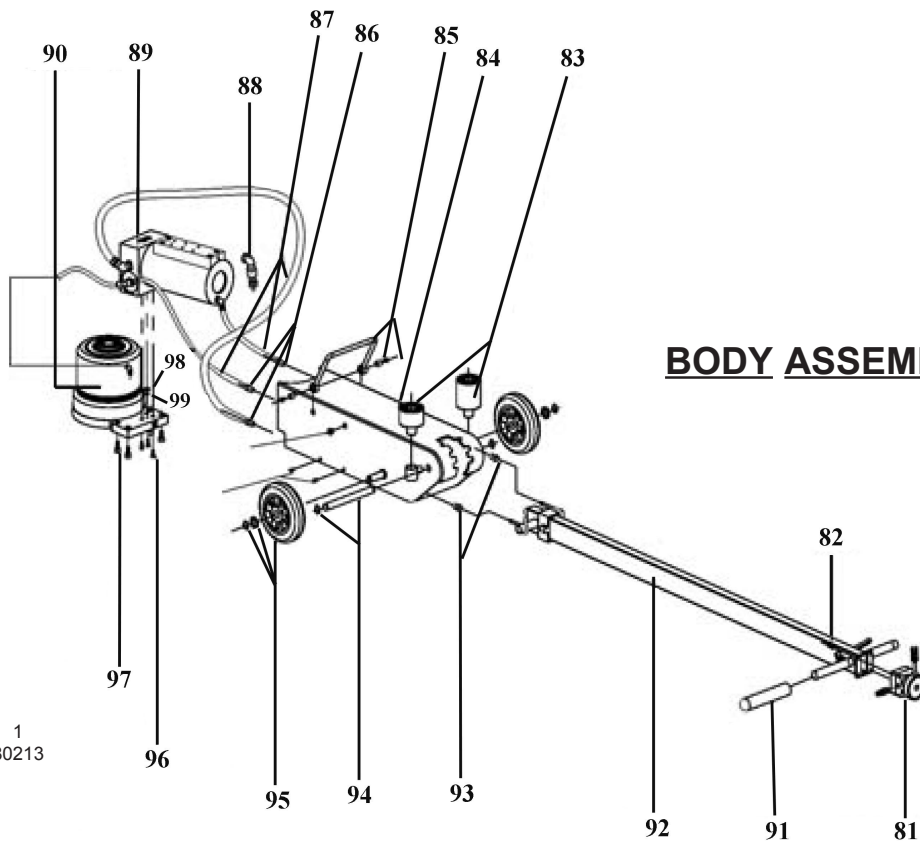
WARRANTY: Guarantee is 12 months from purchase date, proof of which will be required for any claim.

INFORMATION: For a copy of our latest catalogue and promotions call us on 01284 757525 and leave your full name and address, including postcode.

SWITCH ASSEMBLY



ITEM	PART NO	DESCRIPTION
69	YAJ20-60LR.69	HANDLE
70	YAJ20-60LR.70	STRAIGHT PIN
71	YAJ20-60LR.71	O-RING
72	YAJ20-60LR.72	SPINDLE (c/w PIN)
73	YAJ20-60LR.73	VALVE BASE
74	YAJ20-60LR.74	SWITCH CAP
75	YAJ20-60LR.75	SPRING
76	YAJ20-60LR.76	VALVE BODY
77	YAJ20-60LR.77	O-RING
78	YAJ20-60LR.78	O-RING
79	YAJ20-60LR.79	VALVE BASE
80	YAJ20-60LR.80	SCREW



BODY ASSEMBLY

Issue: 1
 Issue Date: 180213

ITEM	PART NO	DESCRIPTION	ITEM	PART NO	DESCRIPTION
81	YAJ20-60LR.81	SWITCH SET	91	YAJ20-60LR.91	HANDLE GRIP
82	YAJ20-60LR.82	SCREW	92	YAJ20-60LR.92	HANDLE
83	YAJ20-60LR.83	ADAPTORS	93	YAJ20-60LR.93	SCREW
84	YAJ20-60LR.84	TANK BODY	94	YAJ20-60LR.94	WHEEL AXLE
85	YAJ20-60LR.85	LIFTING HANDLE SET	95	YAJ20-60LR.95	WHEEL (c/w FIXING)
86	YAJ20-60LR.86	HOSE ADAPTOR	96	YAJ20-60LR.96	SCREW
87	YAJ20-60LR.87	AIR PIPE & OIL HOSE	97	YAJ20-60LR.97	SCREW
88	YAJ20-60LR.88	ELBOW	98	YAJ20-60LR.98	O-RING
89	YAJ20-60LR.89	PUMP ASS'Y	99	YAJ20-60LR.99	LOCK RING
90	YAJ20-60LR.90	OIL CYLINDER ASS'Y			

NOTE: It is our policy to continually improve products and as such we reserve the right to alter data, specifications and component parts without prior notice.

IMPORTANT: No liability is accepted for incorrect use of product.

WARRANTY: Guarantee is 12 months from purchase date, proof of which will be required for any claim.

INFORMATION: For a copy of our latest catalogue and promotions call us on 01284 757525 and leave your full name and address, including postcode.