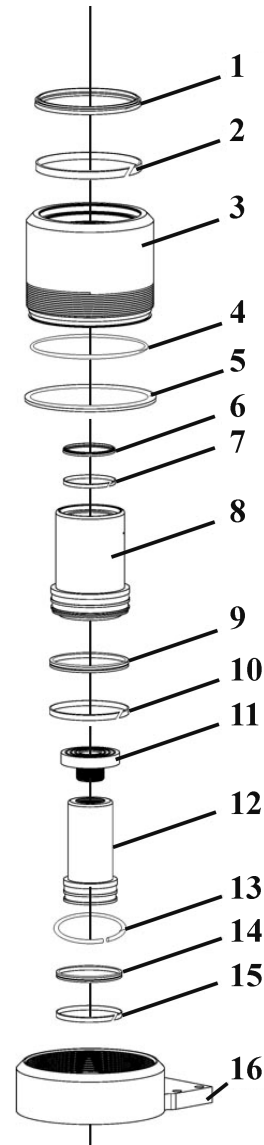


OIL CYLINDER ASSEMBLY

ITEM	PART NO	DESCRIPTION
1	YAJ15-30LE.01	DUSTPROOF RING
2	YAJ15-30LE.02	GUIDE RING
3	YAJ15-30LE.03	OUTER SLEEVE
4	YAJ15-30LE.04	O-RING
5	YAJ15-30LE.05	LOCKING RING
6	YAJ15-30LE.06	DUSTPROOF RING
7	YAJ15-30LE.07	GUIDE RING
8	YAJ15-30LE.08	INNER SLEEVE
9	YAJ15-30LE.09	SEAL RING
10	YAJ15-30LE.10	GUIDE RING
11	YAJ15-30LE.11	TOP COVER
12	YAJ15-30LE.12	PISTON
13	YAJ15-30LE.13	SPRING WASHER
14	YAJ15-30LE.14	SEAL RING
15	YAJ15-30LE.15	GUIDE RING
16	YAJ15-30LE.16	BASE



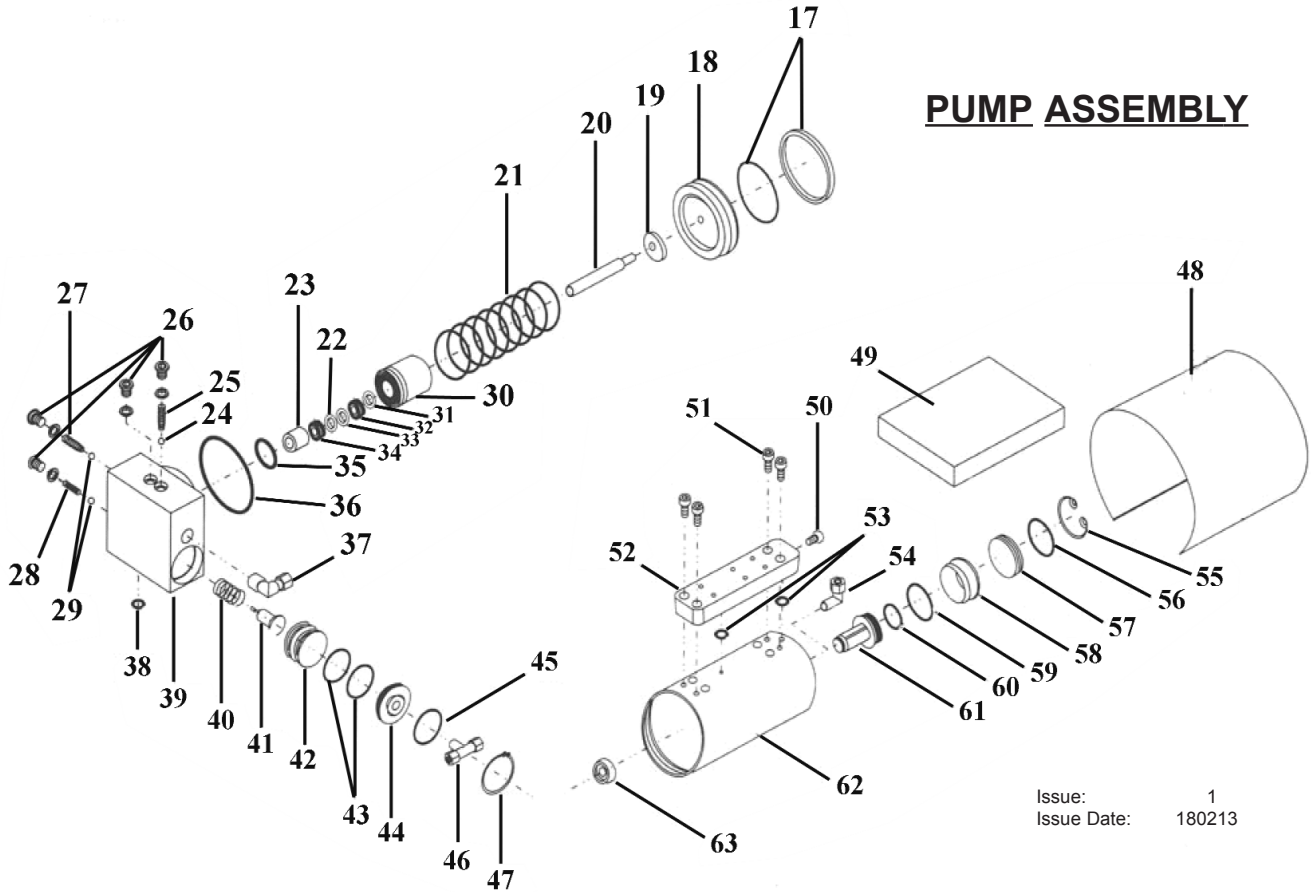
Issue: 1
 Issue Date: 180213

NOTE: It is our policy to continually improve products and as such we reserve the right to alter data, specifications and component parts without prior notice.

IMPORTANT: No liability is accepted for incorrect use of product.

WARRANTY: Guarantee is 12 months from purchase date, proof of which will be required for any claim.

INFORMATION: For a copy of our latest catalogue and promotions call us on 01284 757525 and leave your full name and address, including postcode.



PUMP ASSEMBLY

Issue: 1
 Issue Date: 180213

ITEM	PART NO	DESCRIPTION	ITEM	PART NO	DESCRIPTION
17	YAJ15-30LE.17	OE SEAL	41	YAJ15-30LE.41	OIL DRAIN BOLT
18	YAJ15-30LE.18	PISTON	42	YAJ15-30LE.42	OIL DRAIN PISTON
19	YAJ15-30LE.19	SPACER	43	YAJ15-30LE.43	O-RING
20	YAJ15-30LE.20	PLUNGER ROD	44	YAJ15-30LE.44	END COVER
21	YAJ15-30LE.21	SPRING	45	YAJ15-30LE.45	O-RING
22	YAJ15-30LE.22	SPACER	46	YAJ15-30LE.46	T-PIECE
23	YAJ15-30LE.23	GUIDE BUSHING	47	YAJ15-30LE.47	RETAINING RING
24	YAJ15-30LE.24	STEEL BALL	48	YAJ15-30LE.48	PROTECTING COVER
25	YAJ15-30LE.25	SPRING	49	YAJ15-30LE.49	FOAM PAD
26	YAJ15-30LE.26	SCREW	50	YAJ15-30LE.50	SCREW
27	YAJ15-30LE.27	SPRING	51	YAJ15-30LE.51	SCREW
28	YAJ15-30LE.28	SPRING	52	YAJ15-30LE.52	PROTECTING COVER
29	YAJ15-30LE.29	STEEL BALL	53	YAJ15-30LE.53	O-RING
30	YAJ15-30LE.30	OIL PUMP	54	YAJ15-30LE.54	ELBOW
31	YAJ15-30LE.31	LOCK RING	55	YAJ15-30LE.55	RETAINING RING
32	YAJ15-30LE.32	SEAL	56	YAJ15-30LE.56	O-RING
33	YAJ15-30LE.33	SPACER	57	YAJ15-30LE.57	END COVER
34	YAJ15-30LE.34	SEAL	58	YAJ15-30LE.58	INNER SLEEVE
35	YAJ15-30LE.35	O-RING	59	YAJ15-30LE.59	O-RING
36	YAJ15-30LE.36	O-RING	60	YAJ15-30LE.60	O-RING
37	YAJ15-30LE.37	ELBOW	61	YAJ15-30LE.61	PISTON
38	YAJ15-30LE.38	O-RING	62	YAJ15-30LE.62	AIR CYLINDER
39	YAJ15-30LE.39	PUMP BLOCK	63	YAJ15-30LE.63	RUBBER CAP
40	YAJ15-30LE.40	SPRING			

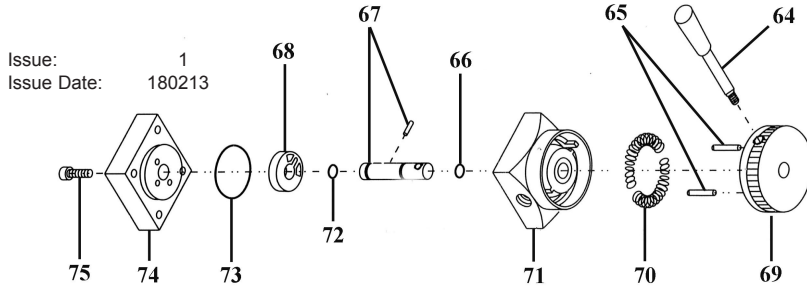
NOTE: It is our policy to continually improve products and as such we reserve the right to alter data, specifications and component parts without prior notice.

IMPORTANT: No liability is accepted for incorrect use of product.

WARRANTY: Guarantee is 12 months from purchase date, proof of which will be required for any claim.

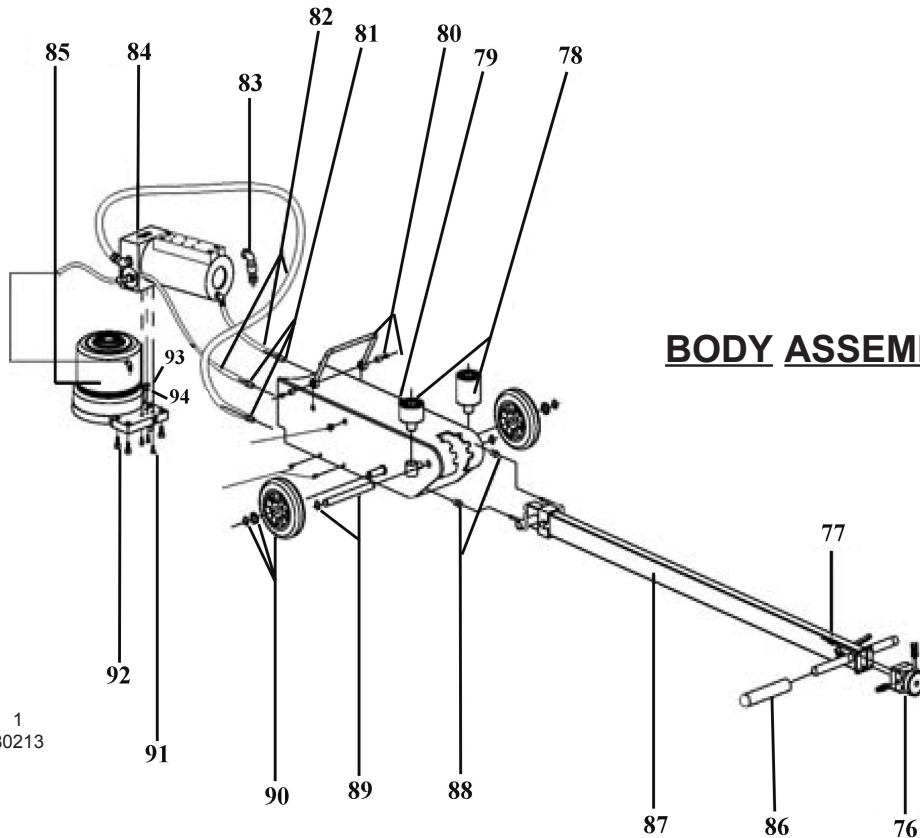
INFORMATION: For a copy of our latest catalogue and promotions call us on 01284 757525 and leave your full name and address, including postcode.

SWITCH ASSEMBLY



Issue: 1
 Issue Date: 180213

ITEM	PART NO	DESCRIPTION
64	YAJ15-30LE.64	HANDLE
65	YAJ15-30LE.65	STRAIGHT PIN
66	YAJ15-30LE.66	O-RING
67	YAJ15-30LE.67	SPINDLE (c/w PIN)
68	YAJ15-30LE.68	VALVE BASE
69	YAJ15-30LE.69	SWITCH CAP
70	YAJ15-30LE.70	SPRING
71	YAJ15-30LE.71	VALVE BODY
72	YAJ15-30LE.72	O-RING
73	YAJ15-30LE.73	O-RING
74	YAJ15-30LE.74	VALVE BASE
75	YAJ15-30LE.75	SCREW



BODY ASSEMBLY

Issue: 1
 Issue Date: 180213

ITEM	PART NO	DESCRIPTION	ITEM	PART NO	DESCRIPTION
76	YAJ15-30LE.76	SWITCH SET	86	YAJ15-30LE.86	HANDLE GRIP
77	YAJ15-30LE.77	SCREW	87	YAJ15-30LE.87	HANDLE
78	YAJ15-30LE.78	ADAPTORS	88	YAJ15-30LE.88	SCREW
79	YAJ15-30LE.79	TANK BODY	89	YAJ15-30LE.89	WHEEL AXLE
80	YAJ15-30LE.80	LIFTING HANDLE SET	90	YAJ15-30LE.90	WHEEL (c/w FIXING)
81	YAJ15-30LE.81	HOSE ADAPTOR	91	YAJ15-30LE.91	SCREW
82	YAJ15-30LE.82	AIR PIPE & OIL HOSE	92	YAJ15-30LE.92	SCREW
83	YAJ15-30LE.83	ELBOW	93	YAJ15-30LE.93	O-RING
84	YAJ15-30LE.84	PUMP ASS'Y	94	YAJ15-30LE.94	LOCK RING
85	YAJ15-30LE.85	OIL CYLINDER ASS'Y			

NOTE: It is our policy to continually improve products and as such we reserve the right to alter data, specifications and component parts without prior notice.

IMPORTANT: No liability is accepted for incorrect use of product.

WARRANTY: Guarantee is 12 months from purchase date, proof of which will be required for any claim.

INFORMATION: For a copy of our latest catalogue and promotions call us on 01284 757525 and leave your full name and address, including postcode.