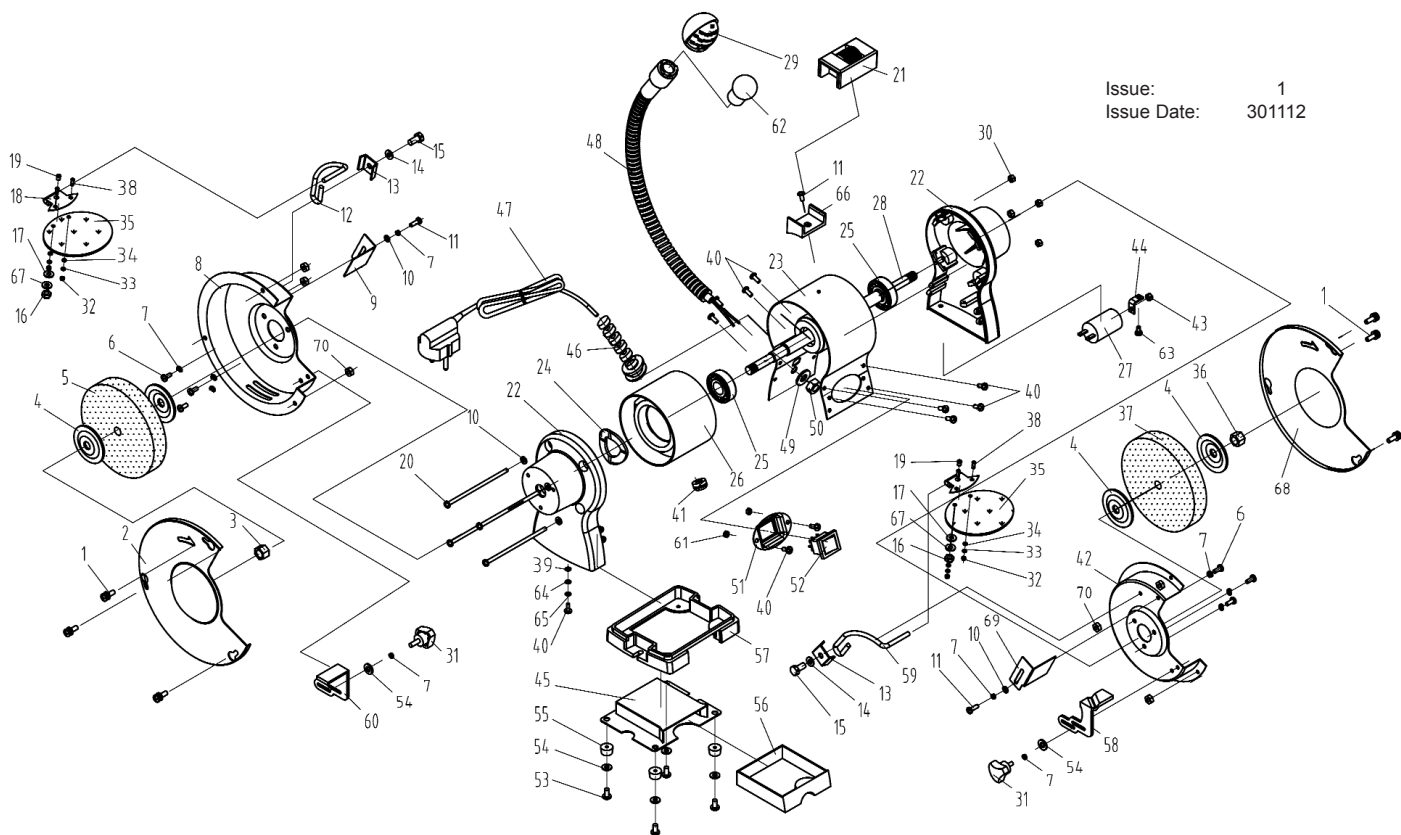


Issue: 1
 Issue Date: 301112



ITEM	PART NO	DESCRIPTION	ITEM	PART NO	DESCRIPTION
1	BG200WL.01	SCREW (M5x16)	38	BG200WL.38	SCREW (M4x10)
2	BG200WL.02	LEFT GUARD COVER	39	BG200WL.39	TOOTHED LOCKING WASHER 4mm
3	BG200WL.03	HEX NUT M16	40	BG200WL.40	SCREW (M4x8)
4	BG200WL.04	WHEEL FLANGE	41	BG200WL.41	CORD BUSHING
6	BG200WL.06	SCREW (M5x10)	42	BG200WL.42	RIGHT GUARD INNER COVER
7	BG200WL.07	SPRING WASHER 5mm	43	BG200WL.43	HEX NUT M8
8	BG200WL.08	LEFT GUARD INNER COVER	44	BG200WL.44	CAPACITOR STAND
9	BG200WL.09	LEFT SPARK DEFLECTOR	45	BG200WL.45	BASE PLATE
10	BG200WL.10	FLAT WASHER 5mm	46	BG200WL.46	STRAIN RELIEF
11	BG200WL.11	SCREW (M5x8)	47	BG200WL.47	CORD & PLUG
12	BG200WL.12	LEFT EYESHIELD MOUNT ROD	48	BG200WL.48	LAMP ASSEMBLY
13	BG200WL.13	BRACKET	49	BG200WL.49	SPRING WASHER 10mm
14	BG200WL.14	FLAT WASHER 6mm	50	BG200WL.50	LOCK NUT M10
15	BG200WL.15	HEX BOLT M6x14	51	BG200WL.51	SWITCH PLATE
16	BG200WL.16	HEX NUT M6	52	BG200WL.52	SWITCH
17	BG200WL.17	FLAT WASHER 6mm	53	BG200WL.53	SCREW (M5x45)
18	BG200WL.18	EYESHIELD PLATE	54	BG200WL.54	BIG FLAT WASHER 5mm
19	BG200WL.19	DOME SCREW M6x16	55	BG200WL.55	RUBBER FOOT
20	BG200WL.20	SCREW (M5x155)	56	BG200WL.56	TOOL TRAY
21	BG200WL.21	WHEEL DRESSING TOOL	57	BG200WL.57	BASE
22	BG200WL.22	END CAP	58	BG200WL.58	RIGHT MOVABLE WORK REST
23	BG200WL.23	MOTOR HOUSING	59	BG200WL.59	RIGHT EYESHIELD MOUNT ROD
24	BG200WL.24	WAVY WASHER 39mm	60	BG200WL.60	LEFT WORK REST
25	BG200WL.25	BALL BEARING (180203)	61	BG200WL.61	HEX NUT M4
26	BG200WL.26	STATOR	62	BG200WL.62	BULB
27	BG200WL.27	CAPACITOR 10uF/450V	63	BG200WL.63	SCREW (M4x8)
28	BG200WL.28	ROTOR	64	BG200WL.64	FLAT WASHER 4mm
29	BG200WL.29	LAMP WITH PROTECTIVE GUARD	65	BG200WL.65	SPRING WASHER 4mm
30	BG200WL.30	NUT M5	66	BG200WL.66	DRESSING TOOL BASE
31	BG200WL.31	WORK REST LOCK KNOB	67	BG200WL.67	FLAT WASHER 6mm
32	BG200WL.32	HEX NUT M4	68	BG200WL.68	RIGHT GUARD COVER
33	BG200WL.33	SPRING WASHER 4mm	69	BG200WL.69	RIGHT SPARK DEFLECTOR
34	BG200WL.34	FLAT WASHER 4mm	70	BG200WL.70	LOCK NUT M5
35	BG200WL.35	EYESHIELD	5&37	BG200/15	GRINDING STONE 200 x 25mm 16mm BORE A60P
36	BG200WL.36	NUT M16		BG200/16	GRINDING STONE 200 x 25mm 16mm BORE A36Q

NOTE: It is our policy to continually improve products and as such we reserve the right to alter data, specifications and component parts without prior notice.

IMPORTANT: No liability is accepted for incorrect use of product.

WARRANTY: Guarantee is 12 months from purchase date, proof of which will be required for any claim.

INFORMATION: For a copy of our latest catalogue and promotions call us on 01284 757525 and leave your full name and address, including postcode.