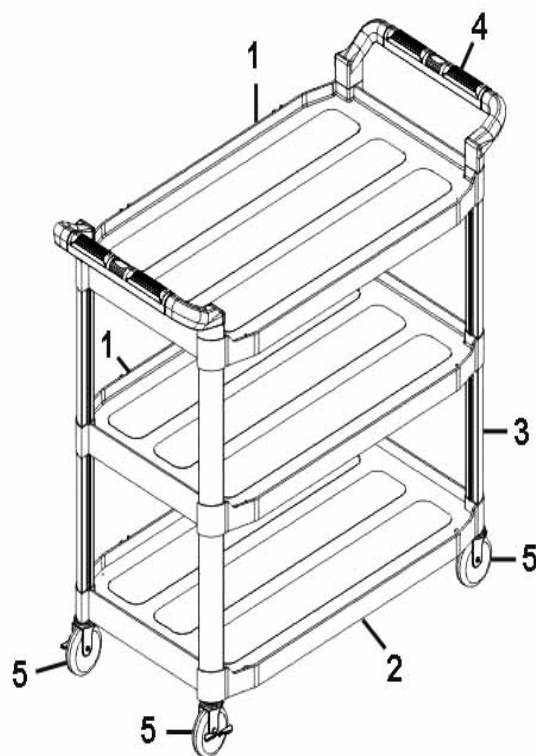
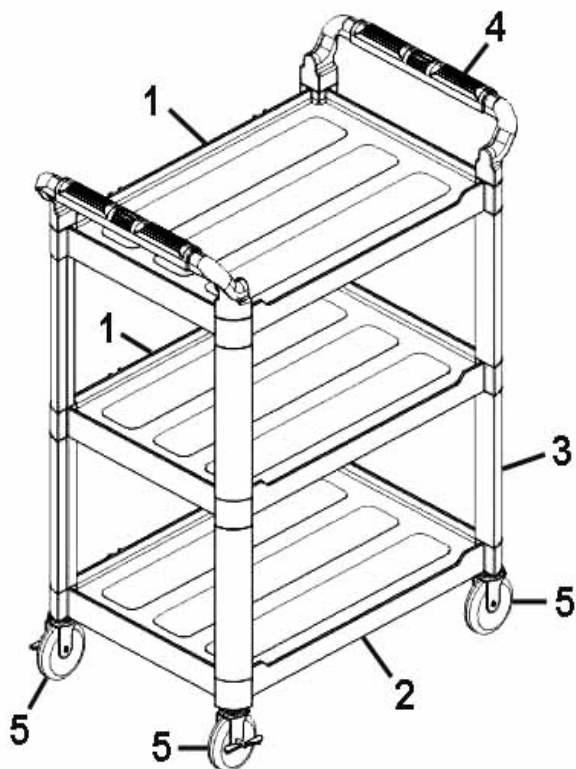


CX309

CX310



CX309 PARTS LIST

CX310 PARTS LIST

| ITEM | PART NO | DESCRIPTION |
|------|----------|------------------------|
| 1 | CX309.01 | TOP/MIDDLE SHELF |
| 2 | CX309.02 | BASE SHELF |
| 3 | CX309.03 | UPRIGHT |
| 4 | CX310.04 | HANDLE |
| 5 | CX310.05 | WHEEL SET |
| -- | CX310.06 | FIXING KIT (NOT SHOWN) |

| ITEM | PART NO | DESCRIPTION |
|------|----------|------------------------|
| 1 | CX310.01 | TOP/MIDDLE SHELF |
| 2 | CX310.02 | BASE SHELF |
| 3 | CX310.03 | UPRIGHT |
| 4 | CX310.04 | HANDLE |
| 5 | CX310.05 | WHEEL SET |
| -- | CX310.06 | FIXING KIT (NOT SHOWN) |

NOTE: It is our policy to continually improve products and as such we reserve the right to alter data, specifications and component parts without prior notice.

IMPORTANT: No liability is accepted for incorrect use of product.

WARRANTY: Guarantee is 12 months from purchase date, proof of which will be required for any claim.

INFORMATION: For a copy of our latest catalogue and promotions call us on 01284 757525 and leave your full name and address, including postcode.