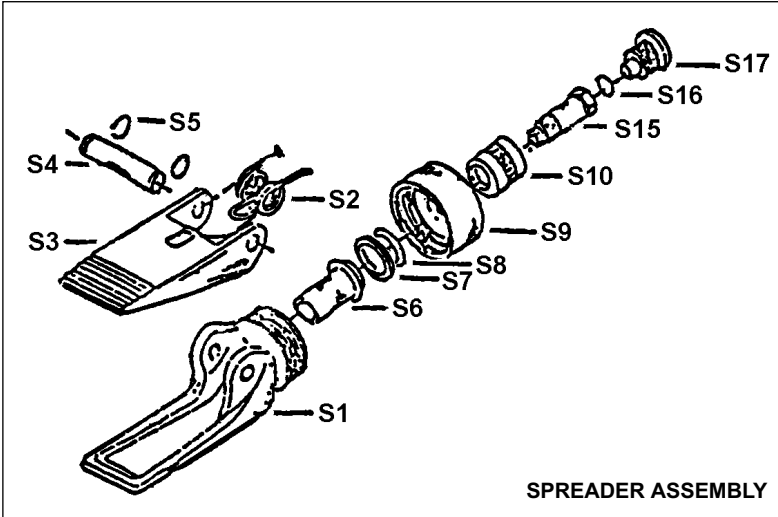
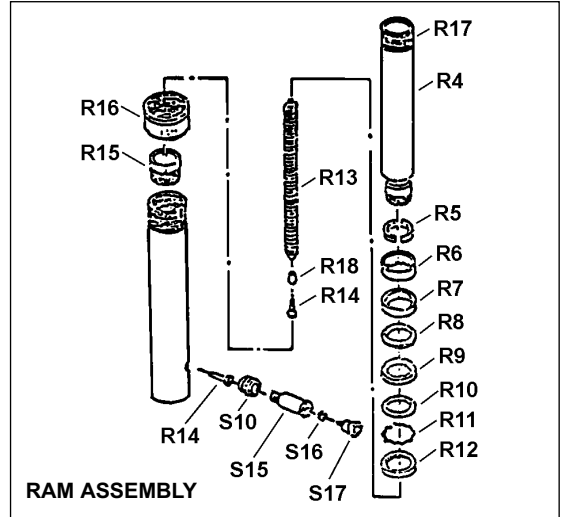




PARTS LIST FOR:
SUPERSNAP® BODY REPAIR KIT
 Model: **RE83/10**

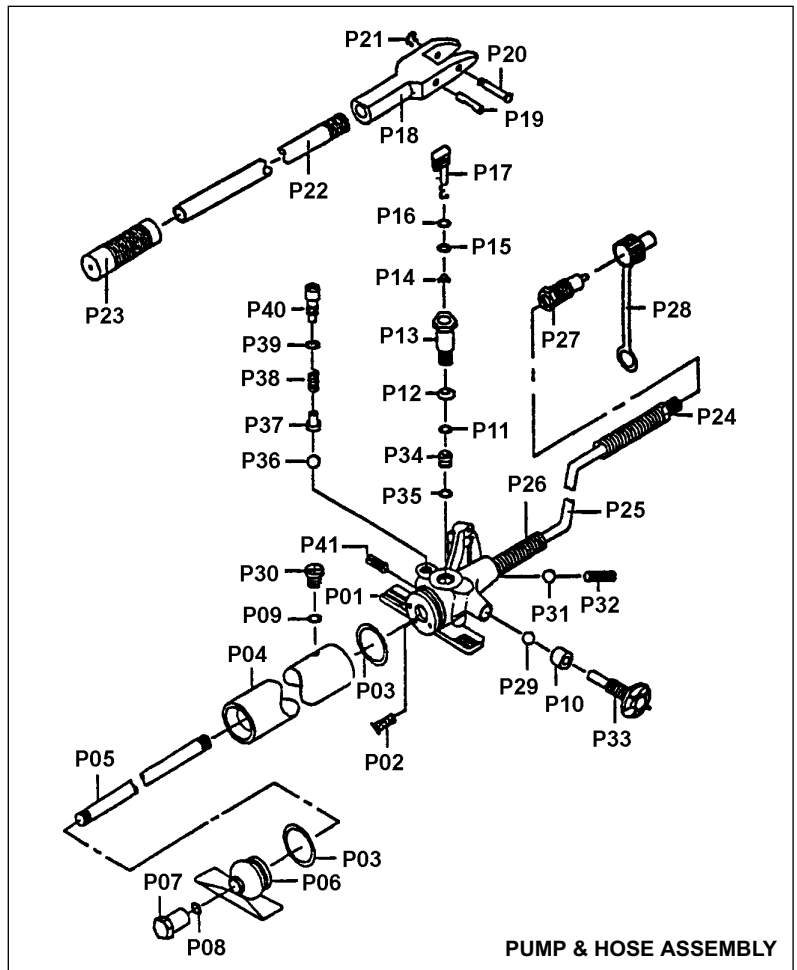


SPREADER ASSEMBLY



RAM ASSEMBLY

Item	Part No.	Description
P01	610/PJ01	Pump Housing
P02	610/PJ02	Filter
P03	610/PJ03	Seal
P04	610/PJ04	Pump Reservoir
P05	610/PJ05	Screw
P06	610/PJ06	Pump Foot
P07	610/PJ07	Bolt
P08	610/PJ08	O-ring
P09	610/PJ09	O-ring Seal
P10	610/PJ10	Spacer
P11	610/PJ11	Seal
P12	610/PJ12	Washer
P13	610/PJ13	Cylinder
P14	610/PJ14	Filter Ring
P15	610/PJ15	Seal
P16	610/PJ16	Washer
P17	610/PJ17	Plunger
P18	610/PJ18	Pump Pivot Arm
P19	610/PJ19	Pivot Pin
P20	610/PJ20	Pivot Pin
P21	610/PJ21	Circlip
P22	610/PJ22	Pump Handle Assembly
P23	610/PJ23	Grip
P24	610/PJ24	Hydraulic Fitting
P25	610/PJ25	Hose
P26	610/PJ26	Spring
P27	610/PJ27	Coupling
P28	610/PJ28	Dust Cap
P29	610/PJ29	Ball Valve
P30	610/PJ30	Screw
P31	610/PJ31	Ball Valve
P32	610/PJ32	Spring
P33	610/PJ33	Release Valve Stem
P34	610/PPJ34	Valve
P35	610/PPJ35	Washer
P36	610/PJ36	Ball Valve
P37	610/PJ37	Stem
P38	610/PJ38	Spring
P39	610/PJ39	O-ring Seal
P40	610/PJ40	Screw
P41	610/PJ41	Screw (Safety Valve)
R04	610/RJ04	Ram
R05	610/RJ05	Bearing
R06	610/RJ06	Bushing
R07	610/RJ07	Cap (Nylon)
R08	610/RJ08	Cap (Teflon)
R09	610/RJ09	Cap (Uletan)
R10	610/RJ10	Spreader
R11	610/RJ11	Washer
R12	610/RJ12	Nut
R13	610/RJ13	Spring
R14	610/RJ14	Screw
R15	610/RJ15	Ring
R16	610/RJ16	Protecting Cap
R17	610/RJ17	Saddle
R18	610/RJ18	Bushing
S01	610/SJ01	Lower Duck Bill
S02	610/SJ02	Spring
S03	610/SJ03	Upper Duck Bill
S04	610/SJ04	Pivoting Pin



PUMP & HOSE ASSEMBLY

Item	Part No.	Description
S05	610/SJ05	Circlip
S06	610/SJ06	Piston
S07	610/SJ07	Cup Seal
S08	610/SJ08	Washer
S09	610/SJ09	End Cap
S10	610/SJ10	Coupling Ring
S15	610/SJ15	Coupling Bolt
S16	610/SJ16	O-ring
S17	610/SJ17	Dust Cap

Version No:- 2
 Date Issued:- 040102



Sole UK Distributor,
 Sealey Group,
 Bury St. Edmunds, Suffolk.

01284 757500

01284 703534

E-mail: sales@sealey.co.uk