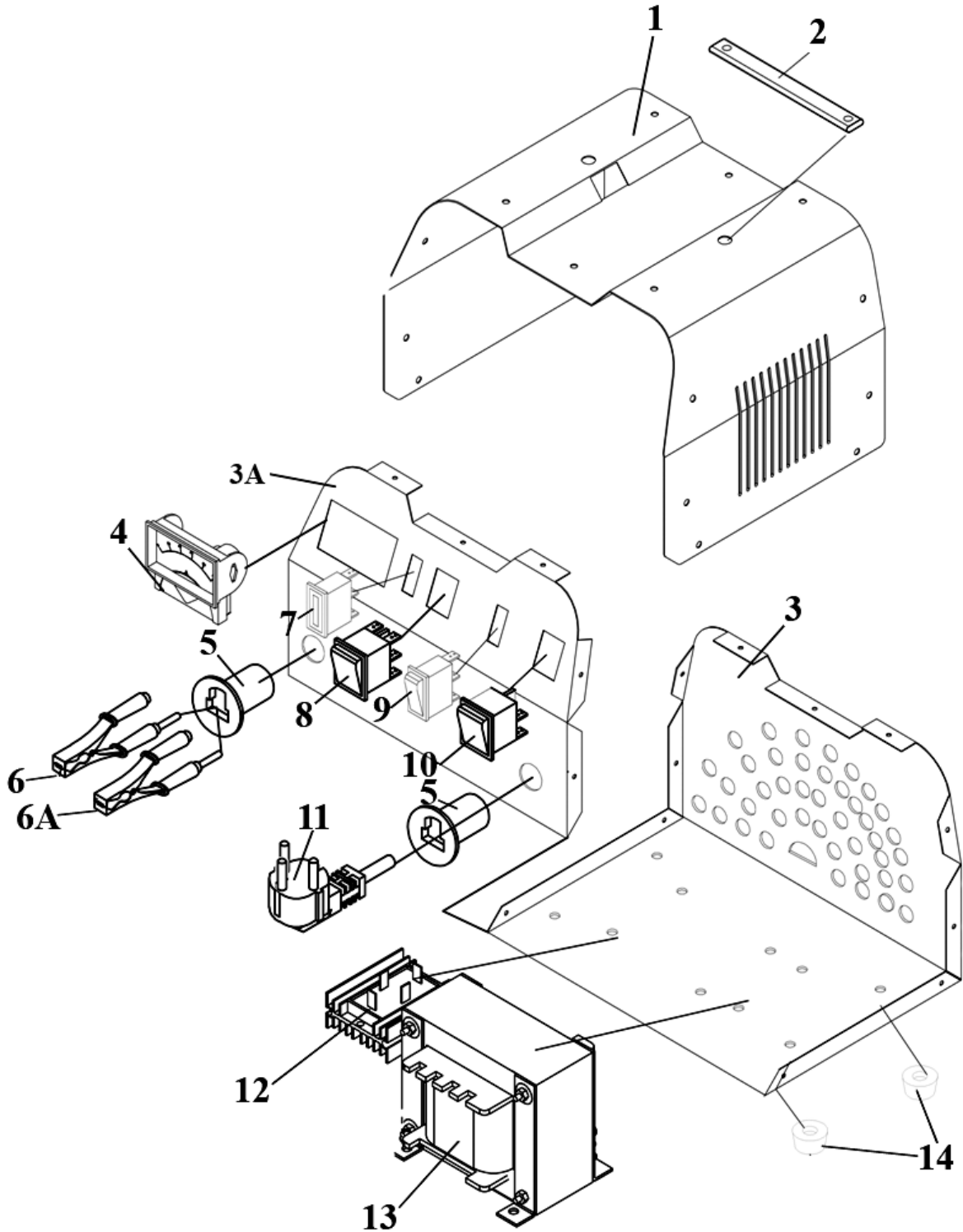




PARTS FOR :
**BATTERY CHARGER 8AMP / 11AMP / 14AMP / 16AMP / 19AMP / 28AMP
12/24V 230V**
MODEL : CHARGE106.V2 / CHARGE107.V2 / CHARGE110.V2 /
CHARGE112.V2 / CHARGE115.V2 / CHARGE124.V2



ISSUE : 1
ISSUE DATE : 31/01/14

NOTE: It is our policy to continually improve products and as such we reserve the right to alter data, specifications and component parts without prior notice.

IMPORTANT: No liability is accepted for incorrect use of product.

WARRANTY: Guarantee is 12 months from purchase date, proof of which will be required for any claim.

INFORMATION: For a copy of our latest catalogue and promotions call us on 01284 757525 and leave your full name and address, including postcode.



Sole UK Distributor,
Sealey Group, Kempson Way,
Suffolk Business Park,
Bury St Edmunds, Suffolk, IP32 7AR



01284 757500



01284 703534



www.sealey.co.uk



sales@sealey.co.uk



PARTS FOR :

**BATTERY CHARGER 8AMP / 11AMP / 14AMP / 16AMP / 19AMP / 28AMP
12/24V 230V**

**MODEL : CHARGE106.V2 / CHARGE107.V2 / CHARGE110.V2 /
CHARGE112.V2 / CHARGE115.V2 / CHARGE124.V2**

CHARGE106.V2 PARTS LIST

| ITEM | PART NO | DESCRIPTION |
|------|---------------|-----------------------|
| 1 | CHARGE106V201 | TOP COVER |
| 2 | CHARGE106V202 | HANDLE BELT |
| 3 | CHARGE106V203 | BOTTOM PANEL |
| 3A | CH106V2.03A | FRONT PANEL |
| 4 | CHARGE106V204 | AMMETER |
| 5 | CHARGE106V205 | CABLE BUSHING |
| 6 | CHARGE112.06 | POSITIVE CLAMP |
| 6A | CHARGE112.06A | NEGATIVE CLAMP |
| 7 | CHARGE112.07 | FUSE |
| 8 | CHARGE106V208 | 12/24V SWITCH |
| 9 | CHARGE106V209 | WHITE ROCKER SWITCH |
| 10 | CHARGE106V210 | ON/OFF SWITCH |
| 11 | CHARGE112.11 | POWER CABLE WITH PLUG |
| 12 | CHARGE112.12 | RECTIFIER |
| 13 | CHARGE106V213 | MAIN TRANSFORMER |
| 14 | CHARGE124.14 | RUBBER FOOT |

CHARGE107.V2 PARTS LIST

| ITEM | PART NO | DESCRIPTION |
|------|---------------|-----------------------|
| 1 | CHARGE106V201 | TOP COVER |
| 2 | CHARGE106V202 | HANDLE BELT |
| 3 | CHARGE106V203 | BOTTOM PANEL |
| 3A | CH107V2.03A | FRONT PANEL |
| 4 | CHARGE106V204 | AMMETER |
| 5 | CHARGE106V205 | CABLE BUSHING |
| 6 | CHARGE112.06 | POSITIVE CLAMP |
| 6A | CHARGE112.06A | NEGATIVE CLAMP |
| 7 | CHARGE107.07 | FUSE |
| 8 | CHARGE106V208 | 12/24V SWITCH |
| 9 | CHARGE106V209 | WHITE ROCKER SWITCH |
| 10 | CHARGE106V210 | ON/OFF SWITCH |
| 11 | CHARGE112.11 | POWER CABLE WITH PLUG |
| 12 | CHARGE112.12 | RECTIFIER |
| 13 | CHARGE107V213 | MAIN TRANSFORMER |
| 14 | CHARGE124.14 | RUBBER FOOT |

CHARGE110.V2 PARTS LIST

| ITEM | PART NO | DESCRIPTION |
|------|---------------|-----------------------|
| 1 | CHARGE106V201 | TOP COVER |
| 2 | CHARGE106V202 | HANDLE BELT |
| 3 | CHARGE106V203 | BOTTOM PANEL |
| 3A | CH110V2.03A | FRONT PANEL |
| 4 | CHARGE106V204 | AMMETER |
| 5 | CHARGE106V205 | CABLE BUSHING |
| 6 | CHARGE112.06 | POSITIVE CLAMP |
| 6A | CHARGE112.06A | NEGATIVE CLAMP |
| 7 | CHARGE112.07 | FUSE |
| 8 | CHARGE106V208 | 12/24V SWITCH |
| 9 | CHARGE106V209 | WHITE ROCKER SWITCH |
| 10 | CHARGE106V210 | ON/OFF SWITCH |
| 11 | CHARGE112.11 | POWER CABLE WITH PLUG |
| 12 | CHARGE112.12 | RECTIFIER |
| 13 | CHARGE110V213 | MAIN TRANSFORMER |
| 14 | CHARGE124.14 | RUBBER FOOT |

CHARGE112.V2 PARTS LIST

| ITEM | PART NO | DESCRIPTION |
|------|---------------|-----------------------|
| 1 | CHARGE106V201 | TOP COVER |
| 2 | CHARGE106V202 | HANDLE BELT |
| 3 | CHARGE106V203 | BOTTOM PANEL |
| 3A | CH112V2.03A | FRONT PANEL |
| 4 | CHARGE106V204 | AMMETER |
| 5 | CHARGE106V205 | CABLE BUSHING |
| 6 | CHARGE112.06 | POSITIVE CLAMP |
| 6A | CHARGE112.06A | NEGATIVE CLAMP |
| 7 | CHARGE112.07 | FUSE |
| 8 | CHARGE106V208 | 12/24V SWITCH |
| 9 | CHARGE106V209 | WHITE ROCKER SWITCH |
| 10 | CHARGE106V210 | ON/OFF SWITCH |
| 11 | CHARGE112.11 | POWER CABLE WITH PLUG |
| 12 | CHARGE112.12 | RECTIFIER |
| 13 | CHARGE112V213 | MAIN TRANSFORMER |
| 14 | CHARGE124.14 | RUBBER FOOT |

CHARGE115.V2 PARTS LIST

| ITEM | PART NO | DESCRIPTION |
|------|---------------|-----------------------|
| 1 | CHARGE115V201 | TOP COVER |
| 2 | CHARGE115V202 | HANDLE BELT |
| 3 | CHARGE115V203 | LOWER PANEL |
| 3A | CH115V2.03A | FRONT COVER |
| 4 | CHARGE115V204 | AMMETER |
| 5 | CHARGE106V205 | CABLE BUSHING |
| 6 | CHARGE124.06 | POSITIVE CLAMP |
| 6A | CHARGE124.06A | NEGATIVE CLAMP |
| 7 | CHARGE115.07 | FUSE |
| 8 | CHARGE124.08 | SWITCH 12/24V |
| 9 | CHARGE124.09 | WHITE ROCKER SWITCH |
| 10 | CHARGE124.10 | ON/OFF SWITCH |
| 11 | CHARGE124.11 | POWER CABLE WITH PLUG |
| 12 | CHARGE124.12 | RECTIFIER |
| 13 | CHARGE115V213 | MAIN TRANSFORMER |
| 14 | CHARGE124.14 | RUBBER FOOT |

CHARGE124.V2 PARTS LIST

| ITEM | PART NO | DESCRIPTION |
|------|---------------|-----------------------|
| 1 | CHARGE115V201 | TOP COVER |
| 2 | CHARGE115V202 | HANDLE BELT |
| 3 | CHARGE115V203 | LOWER PANEL |
| 3A | CH124V2.03A | FRONT COVER |
| 4 | CHARGE115V204 | AMMETER |
| 5 | CHARGE106V205 | CABLE BUSHING |
| 6 | CHARGE124.06 | POSITIVE CLAMP |
| 6A | CHARGE124.06A | NEGATIVE CLAMP |
| 7 | CHARGE124.07 | FUSE |
| 8 | CHARGE124.08 | SWITCH 12/24V |
| 9 | CHARGE124.09 | WHITE ROCKER SWITCH |
| 10 | CHARGE124.10 | ON/OFF SWITCH |
| 11 | CHARGE124.11 | POWER CABLE WITH PLUG |
| 12 | CHARGE124.12 | RECTIFIER |
| 13 | CHARGE124V213 | MAIN TRANSFORMER |
| 14 | CHARGE124.14 | RUBBER FOOT |

ISSUE : 1
ISSUE DATE : 31/01/14

NOTE: It is our policy to continually improve products and as such we reserve the right to alter data, specifications and component parts without prior notice.

IMPORTANT: No liability is accepted for incorrect use of product.

WARRANTY: Guarantee is 12 months from purchase date, proof of which will be required for any claim.

INFORMATION: For a copy of our latest catalogue and promotions call us on 01284 757525 and leave your full name and address, including postcode.



Sole UK Distributor,
Sealey Group, Kempson Way,
Suffolk Business Park,
Bury St Edmunds, Suffolk, IP32 7AR



01284 757500

01284 703534



www.sealey.co.uk

sales@sealey.co.uk