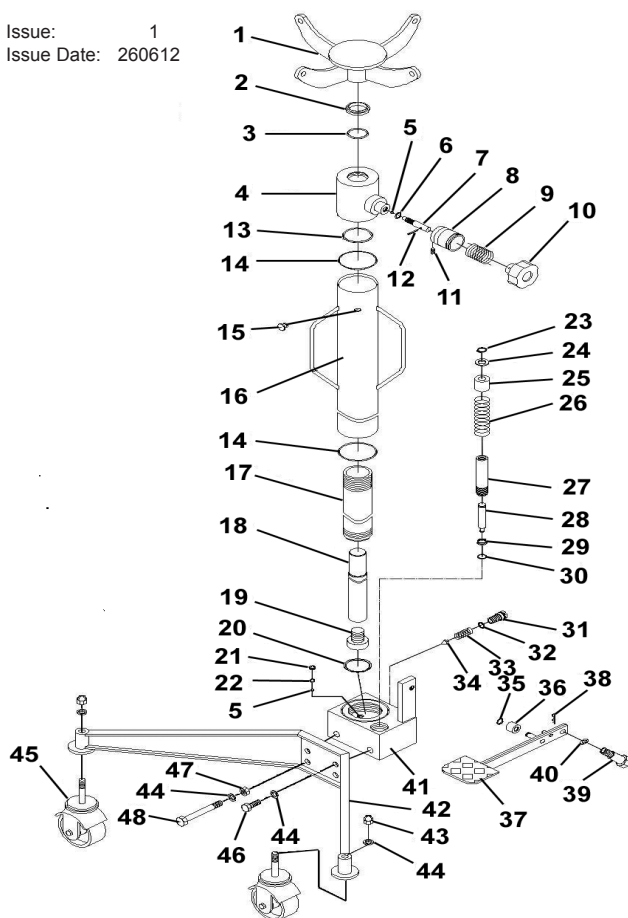


Issue: 1  
 Issue Date: 260612



| ITEM | PART NO   | DESCRIPTION         | ITEM | PART NO   | DESCRIPTION        |
|------|-----------|---------------------|------|-----------|--------------------|
| 1    | 1500TR.01 | FORKED SADDLE ASS'Y | 25   | 1500TR.25 | BUSH               |
| 2    | 1500TR.02 | DUST SEAL 38.1      | 26   | 1500TR.26 | SPRING             |
| 3    | 1500TR.03 | O-RING 44X3.5       | 27   | 1500TR.27 | PUMP CYLINDER      |
| 4    | 1500TR.04 | CYLINDER HEAD ASS'Y | 28   | 1500TR.28 | PUMP ROD           |
| 5    | 1500TR.05 | STEEL BALL 1/4"     | 29   | 1500TR.29 | U CUP SEAL 20X12X6 |
| 6    | 1500TR.06 | O-RING 16X2.4       | 30   | 1500TR.30 | O-RING 26X2.4      |
| 7    | 1500TR.07 | RELEASE ROD 12      | 31   | 1500TR.31 | SCREW              |
| 8    | 1500TR.08 | BUSH                | 32   | 1500TR.32 | O-RING 14X2.4      |
| 9    | 1500TR.09 | SPRING              | 33   | 1500TR.33 | SPRING             |
| 10   | 1500TR.10 | RELEASE KNOB        | 34   | 1500TR.34 | TAPER VALVE        |
| 11   | 1500TR.11 | SCREW M6X10         | 35   | 1500TR.35 | RETAINING RING 12  |
| 12   | 1500TR.12 | SPRING PIN 4X20     | 36   | 1500TR.36 | BUSH               |
| 13   | 1500TR.13 | O-RING 54. 5X3. 55  | 37   | 1500TR.37 | PUMP PEDAL         |
| 14   | 1500TR.14 | O RING 85X3.1       | 38   | 1500TR.38 | R RING             |
| 15   | 1500TR.15 | OIL FILTER PLUG     | 39   | 1500TR.39 | SCREW              |
| 16   | 1500TR.16 | OIL RESERVOIR ASS'Y | 40   | 1500TR.40 | WASHER 12          |
| 17   | 1500TR.17 | CYLINDER            | 41   | 1500TR.41 | PUMP BASE ASS'Y    |
| 18   | 1500TR.18 | PISTON              | 42   | 1500TR.42 | LEG ASS'Y          |
| 19   | 1500TR.19 | PISTON SCREW        | 43   | 1500TR.43 | NUT M12            |
| 20   | 1500TR.20 | O-RING 50X2.65      | 44   | 1500TR.44 | SPRING WASHER 12   |
| 21   | 1500TR.21 | SCREW               | 45   | 1500TR.45 | CASTOR ASS'Y       |
| 22   | 1500TR.22 | STEEL BALL 9.5      | 46   | 1500TR.46 | BOLT M12X30        |
| 23   | 1500TR.23 | RETAINING RING 20   | 47   | 1500TR.47 | NUT M12            |
| 24   | 1500TR.24 | WASHER 20           | 48   | 1500TR.48 | BOLT M12X140       |

**NOTE:** It is our policy to continually improve products and as such we reserve the right to alter data, specifications and component parts without prior notice.

**IMPORTANT:** No liability is accepted for incorrect use of product.

**WARRANTY:** Guarantee is 12 months from purchase date, proof of which will be required for any claim.

**INFORMATION:** For a copy of our latest catalogue and promotions call us on 01284 757525 and leave your full name and address, including postcode.