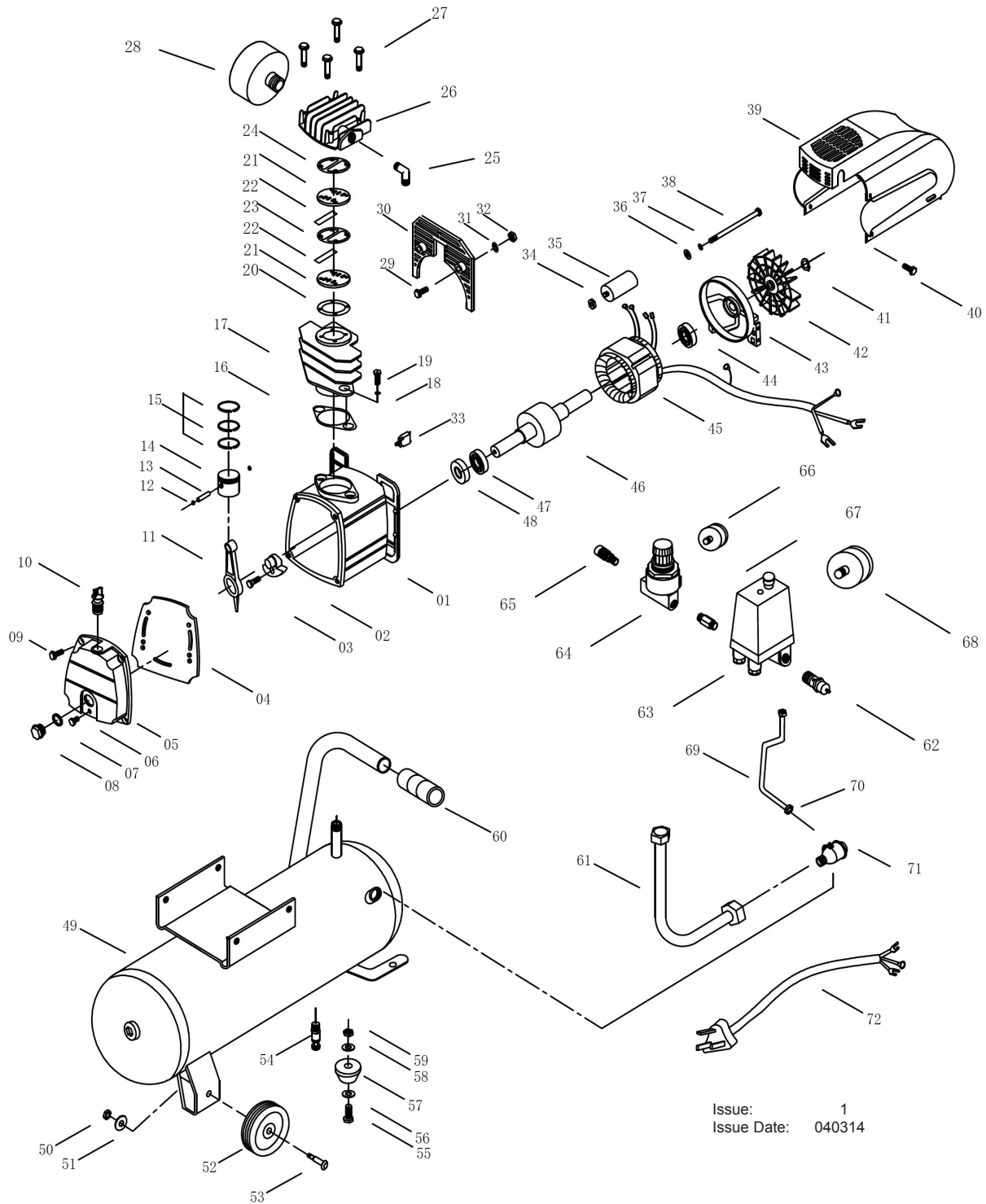




PARTS FOR :
COMPRESSOR 24LTR DIRECT DRIVE 2hp 110V
MODEL : **SAC2420E110V.V2**



Issue: 1
Issue Date: 040314

NOTE: It is our policy to continually improve products and as such we reserve the right to alter data, specifications and component parts without prior notice.

IMPORTANT: No liability is accepted for incorrect use of product.

WARRANTY: Guarantee is 12 months from purchase date, proof of which will be required for any claim.

INFORMATION: For a copy of our latest catalogue and promotions call us on 01284 757525 and leave your full name and address, including postcode.



Sole UK Distributor,
Sealey Group, Kempson Way,
Suffolk Business Park,
Bury St Edmunds, Suffolk, IP32 7AR



01284 757500



01284 703534



www.sealey.co.uk



sales@sealey.co.uk



PARTS FOR :
COMPRESSOR 24LTR DIRECT DRIVE 2hp 110V
MODEL : **SAC2420E110V.V2**

ITEM	PART NO	DESCRIPTION	ITEM	PART NO	DESCRIPTION
1	SAC2420EV2.01	CRANKCASE	37	SAC2420EV2.37	SPRING WASHER
2	SAC2420EV2.02	CRANK SHAFT	38	SAC2420EV2.38	BOLT
3	SAC2420EV2.03	BOLT	39	SAC2420EV2.39	PUMP COVER
4	SAC2420EV2.04	RUBBER GASKET	40	SAC2420EV2.40	BOLT
5	SAC2420EV2.05	CRANKCASE COVER	41	SAC2420EV2.41	CHECK RING
6	SAC2420EV2.06	BOLT	42	SAC2420EV2.42	FAN
7	SAC2420EV2.07	WASHER	43	SAC2420EV2.43	REAR BEARING CRANK
8	SAC2420EV2.08	OIL SIGHT GLASS	44	SAC2420EV2.44	BEARING
9	SAC2420EV2.09	BOLT	45	SAC5020EV245A	STATOR (110V) 'for 110V model'
10	SAC2420EV2.10	BREATHER PLUG	46	SAC5020EV246A	ROTOR (110V) 'for 110V model'
11	SAC2420EV2.11	CONNECTING ROD	47	SAC2420EV2.47	BEARING
12	SAC2420EV2.12	CIRCLIP	48	SAC2420EV2.48	OIL SEALING
13	SAC2420EV2.13	PISTON PIN	49	SAC2420EV2.49	TANK 50LTR
14	SAC2420EV2.14	PISTON	50	SAC2420EV2.50	NUT
15	SAC2420EV2.15	PISTON RING	51	SAC2420EV2.51	WASHER
16	SAC2420EV2.16	CRANKCASE GASKET	52	SAC2420EV2.52	WHEEL
17	SAC2420EV2.17	CYLINDER	53	SAC2420EV2.53	WHEEL BOLT
18	SAC2420EV2.18	SPRING WASHER	54	SAC2420EV2.54	DRAIN VALVE
19	SAC2420EV2.19	BOLT	55	SAC2420EV2.55	BOLT
20	SAC2420EV2.20	VALVE GASKET	56	SAC2420EV2.56	WASHER
21	SAC2420EV2.21	VALVE REED	57	SAC2420EV2.57	CUSHION FOOT
22	SAC2420EV2.22	VALVE PLATE	58	SAC2420EV2.58	WASHER
23	SAC2420EV2.23	CYLINDER GASKET	59	SAC2420EV2.59	NUT
24	SAC2420EV2.24	CYLINDER HEAD GASKET	60	SAC2420EV2.60	HANDLE GRIP
25	SAC2420EV2.25	ELBOW EXHAUST	61	SAC2420EV2.61	EXHUAUST PIPE
26	SAC2420EV2.26	CYLINDER HEAD	62	SAC2420EV2.62	SAFETY VALVE
27	SAC2420EV2.27	BOLT	63	SAC2420EV2.63	PRESSURE SWITCH
28	SAC2420EV2.28	AIR FILTER	64	SAC2420EV2.64	REGULATOR
29	SAC2420EV2.29	BOLT	65	SAC2420EV2.65	QUICK VALVE
30	SAC2420EV2.30	BAFFLE	66	SAC2420EV2.66	PRESSURE GAUGE
31	SAC2420EV2.31	WASHER	67	SAC2420EV2.67	CONNECTOR
32	SAC2420EV2.32	NUT	68	SAC2420EV2.68	PRESSURE GAUGE
33	SAC5020EV233A	THERMAL CUT-OUT (13A) 'for 110V model'	69	SAC2420EV2.69	UNLOADING PIPE
34	SAC2420EV2.34	NUT	70	SAC2420EV2.70	UNLOADING NUT
35	SAC5020EV235A	CAPACITOR (130uF) 'for 110V model'	71	SAC2420EV2.71	CHECK VALVE
36	SAC2420EV2.36	WASHER	72	SAC5020EV272A	PLUG (110V) 'for 110V model'

NOTE: It is our policy to continually improve products and as such we reserve the right to alter data, specifications and component parts without prior notice.

IMPORTANT: No liability is accepted for incorrect use of product.

WARRANTY: Guarantee is 12 months from purchase date, proof of which will be required for any claim.

INFORMATION: For a copy of our latest catalogue and promotions call us on 01284 757525 and leave your full name and address, including postcode.



Sole UK Distributor,
Sealey Group, Kempson Way,
Suffolk Business Park,
Bury St Edmunds, Suffolk, IP32 7AR



01284 757500



01284 703534



www.sealey.co.uk



sales@sealey.co.uk