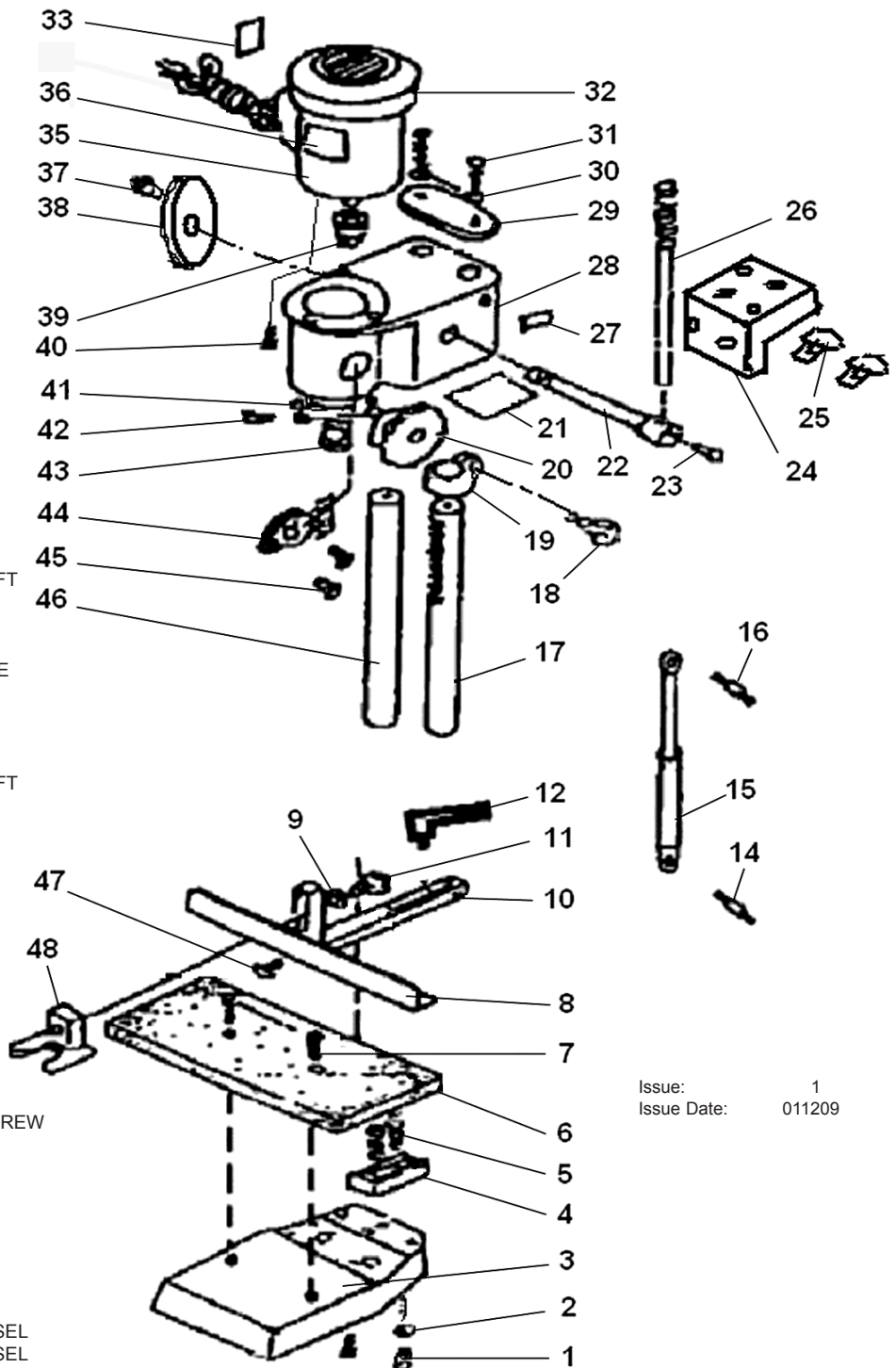


| ITEM | PART NO    | DESCRIPTION          |
|------|------------|----------------------|
| 1    | SM94.V3-01 | BOLT                 |
| 2    | SM94.V3-02 | LOCK WASHER          |
| 3    | SM94.V3-03 | BASE                 |
| 4    | SM94.V3-04 | LOWER BRACKET        |
| 5    | SM94.V3-05 | HEX KEY SCREW        |
| 6    | SM94.V3-06 | WORK TABLE           |
| 7    | SM94.V3-07 | SCREW                |
| 8    | SM94.V3-08 | FENCE                |
| 9    | SM94.V3-09 | WASHER               |
| 10   | SM94.V3-10 | UPPER BRACKET        |
| 11   | SM94.V3-11 | KNOB                 |
| 12   | SM94.V3-12 | HANDLE               |
| 14   | SM94.V3-14 | SCREW                |
| 15   | SM94.V3-15 | CYLINDER             |
| 16   | SM94.V3-16 | SCREW                |
| 17   | SM94.V3-17 | GEAR COLUMN SHAFT    |
| 18   | SM94.V3-18 | KNOB                 |
| 19   | SM94.V3-19 | DEPTH SET GUIDE      |
| 20   | SM94.V3-20 | GEAR                 |
| 21   | SM94.V3-21 | GEAR ACCESS PLATE    |
| 22   | SM94.V3-22 | GEAR SHAFT           |
| 23   | SM94.V3-23 | SET SCREW            |
| 24   | SM94.V3-24 | BRACKET              |
| 25   | SM94.V3-25 | SCREW                |
| 26   | SM94.V3-26 | HANDLE, GEAR SHAFT   |
| 27   | SM94.V3-27 | "WARNING" PLATE      |
| 28   | SM94.V3-28 | GEAR CASING          |
| 29   | SM94.V3-29 | STEP PLATE           |
| 30   | SM94.V3-30 | WASHER               |
| 31   | SM94.V3-31 | SET SCREW            |
| 32   | SM94.V3-32 | MOTOR                |
| 33   | SM94.V3-33 | BRAND NAME PLATE     |
| 35   | SM94.V3-35 | SWITCH               |
| 36   | SM94.V3-36 | "WARNING" PLATE      |
| 37   | SM94.V3-37 | SCREW                |
| 38   | SM94.V3-38 | PLATE                |
| 39   | SM94.V3-39 | CHUCK                |
| 40   | SM94.V3-40 | SCREW                |
| 41   | SM94.V3-41 | SCREW                |
| 42   | SM94.V3-42 | CHISEL BUSHING SCREW |
| 43   | SM94.V3-43 | CHISEL BUSHING       |
| 44   | SM94.V3-44 | GUIDE COVER          |
| 45   | SM94.V3-45 | SCREW                |
| 46   | SM94.V3-46 | GUIDE COLUMN         |
| 47   | SM94.V3-47 | SCREW                |
| 48   | SM94.V3-48 | CLAMP                |



Issue: 1  
 Issue Date: 011209

**ACCESSORIES (NOT SHOWN)**

|    |          |                          |
|----|----------|--------------------------|
| -- | SM94.A01 | 1/4" MORTISING CHISEL    |
| -- | SM94.A02 | 3/8" MORTISING CHISEL    |
| -- | SM94.A03 | 1/2" MORTISING CHISEL    |
| -- | SM94.A04 | 1/4" DRILL BIT           |
| -- | SM94.A05 | 3/8" DRILL BIT           |
| -- | SM94.A06 | 1/2" DRILL BIT           |
| -- | SM94.A07 | S5 INNER HEXAGON SPANNER |
| -- | SM94.A08 | S6 INNER HEXAGON SPANNER |
| -- | SM94.A10 | ARBOR EXTENSION          |

**NOTE:** It is our policy to continually improve products and as such we reserve the right to alter data, specifications and component parts without prior notice.

**IMPORTANT:** No liability is accepted for incorrect use of product.

**WARRANTY:** Guarantee is 12 months from purchase date, proof of which will be required for any claim.

**INFORMATION:** For a copy of our latest catalogue and promotions call us on 01284 757525 and leave your full name and address, including postcode.