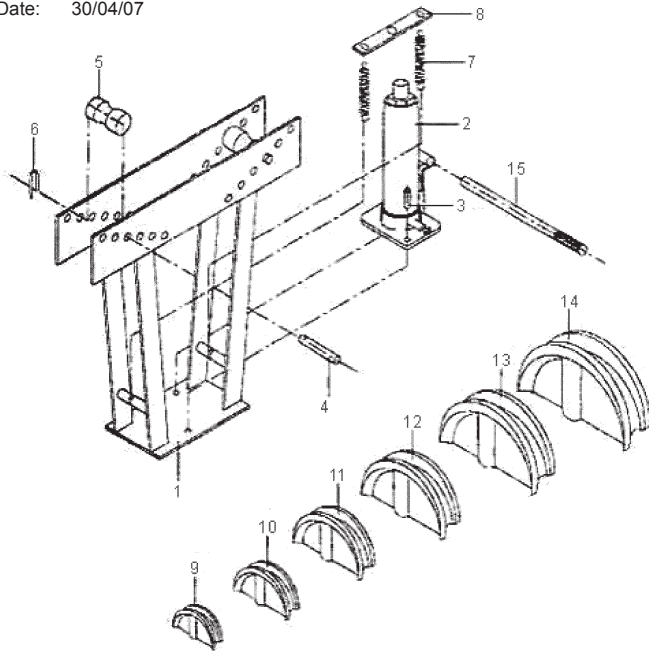


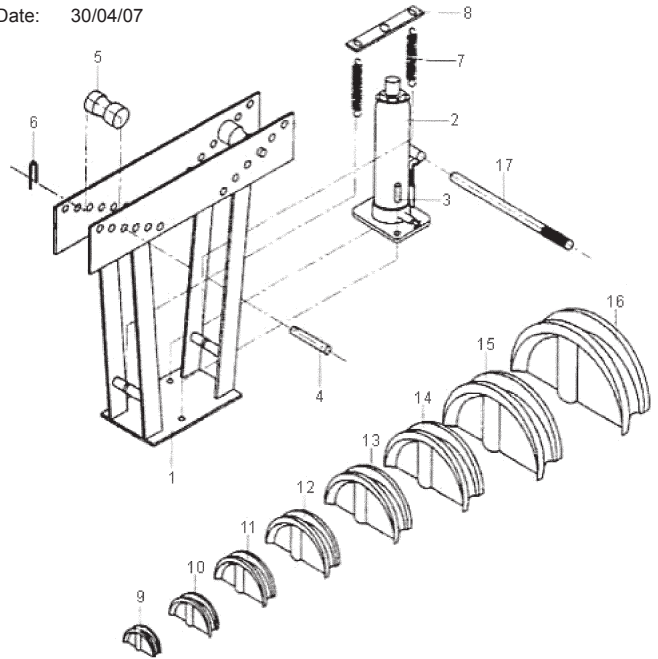
PBS99/10.V3

Issue: 1
 Date: 30/04/07



PBS99/14.V3

Issue: 1
 Date: 30/04/07



Item:	Part No.:	Description:
1	PBS99/10V2.01	FRAME
2	PBS99/10V2.02	LONG RAM JACK (12 TON)
3	PBS99/10V2.03	SCREW NAIL
4	PBS99/10V2.04	BUSHING
5	PBS99/10V2.05	AXIS
6	PBS99/10V2.06	HITCH PIN
7	PBS99/10V2.07	SPRING
8	PBS99/10V2.08	SUSPEND PLATE
9	PBS99/10V2.09	1/2" BENDING DIE
10	PBS99/10V2.10	3/4" BENDING DIE
11	PBS99/10V2.11	1" BENDING DIE
12	PBS99/10V2.12	1-1/4" BENDING DIE
13	PBS99/10V2.13	1-1/2" BENDING DIE
14	PBS99/10V2.14	2" BENDING DIE
15	PBS99/10V2.15	JACK HANDLE

Item:	Part No.:	Description:
1	PBS99/14V2.01	FRAME
2	PBS99/14V2.02	LONG RAM JACK (16 TON)
3	PBS99/14V2.03	SCREW NAIL
4	PBS99/14V2.04	BUSHING
5	PBS99/14V2.05	AXIS
6	PBS99/14V2.06	HITCH PIN
7	PBS99/14V2.07	SPRING
8	PBS99/14V2.08	SUSPEND PLATE
9	PBS99/14V2.09	1/2" BENDING DIE
10	PBS99/14V2.10	3/4" BENDING DIE
11	PBS99/14V2.11	1" BENDING DIE
12	PBS99/14V2.12	1-1/4" BENDING DIE
13	PBS99/14V2.13	1-1/2" BENDING DIE
14	PBS99/14V2.14	2" BENDING DIE
15	PBS99/14V2.15	2-1/2" BENDING DIE
16	PBS99/14V2.16	3" BENDING DIE
17	PBS99/14V2.17	JACK HANDLE