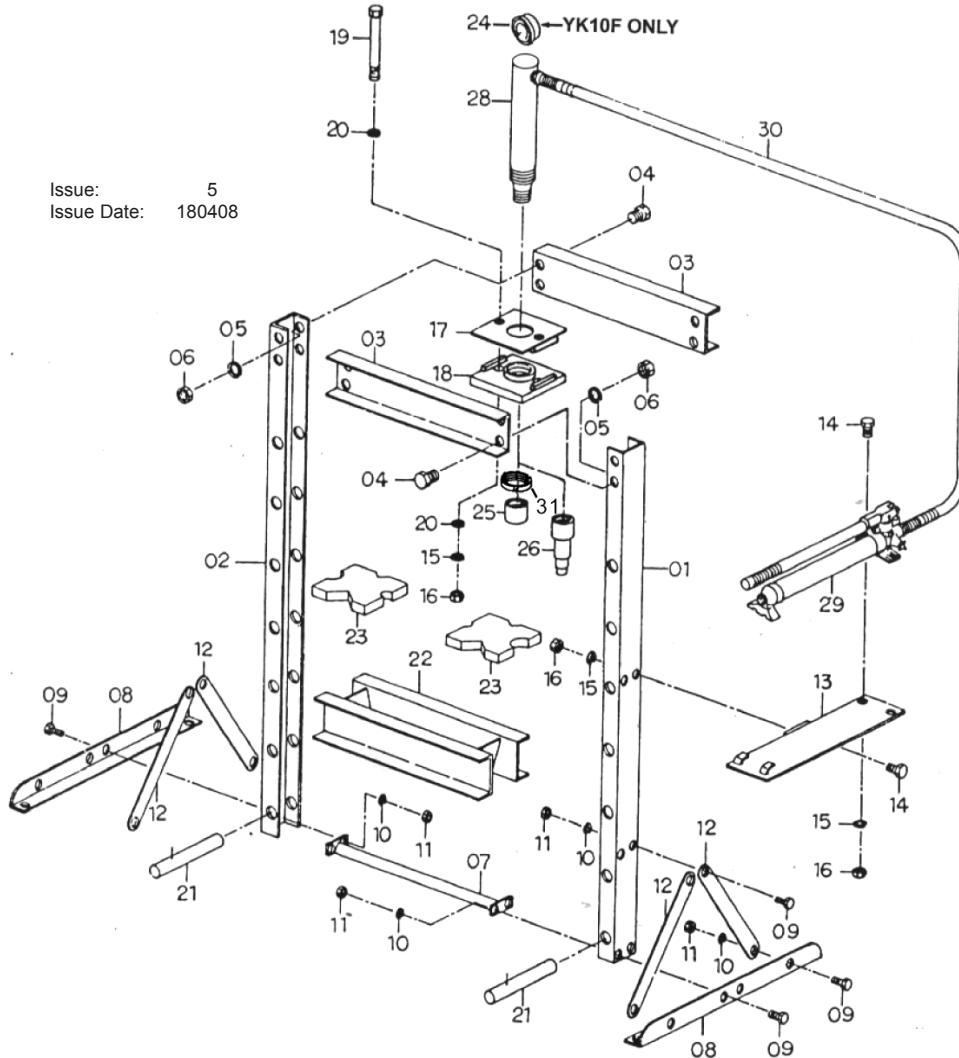


**YK10F**

**YK10FLG (without Gauge)**

Issue: 5  
Issue Date: 180408



ITEM	PART NO	DESCRIPTION	ITEM	PART NO	DESCRIPTION
1	YK10F/01	FRAME	16	YK10F/16	NUT M10
2	YK10F/02	FRAME	17	YK10F/17	SUPPORT PLATES
3	YK10F/03	BRIDGE	18	YK10F/18	RAM SUPPORT
4	YK10F/04	BOLT M14X30	19	YK10F/19	BOLT M10x140
5	YK10F/05	SPRING WASHER	20	YK10F/20	WASHER
6	YK10F/06	NUT M14	21	YK10F/21	SUPPORT PINS
7	YK10F/07	UNION SUPPORT	22	YK10F/22	BED, FLAT
8	YK10F/08	BASE SUPPORTS	23	YK10F/23	ARBOR PLATE
9	YK10F/09	BOLT M8x25	24	YK10F/24	GAUGE
10	YK10F/10	SPRING WASHER	25	YK10F/25	ADAPTOR
11	YK10F/11	NUT M8	26	YK10F/26	STEPPED ADAPTOR
12	YK10F/12	SUPPORT PLATES	28	YK10FLG/24	RAM
13	YK10F/13	PUMP SUPPORT	29	610/40	PUMP COMPLETE WITHOUT HOSE
14	YK10F/14	BOLT M10x25	30	610/42	HOSE c/w HALF COUPLING
15	YK10F/15	SPRING WASHER	31	YK10F.31	RING NUT

**NOTE:** It is our policy to continually improve products and as such we reserve the right to alter data, specifications and component parts without prior notice.

**IMPORTANT:** No liability is accepted for incorrect use of product.

**WARRANTY:** Guarantee is 12 months from purchase date, proof of which will be required for any claim.

**INFORMATION:** For a copy of our latest catalogue and promotions call us on 01284 757525 and leave your full name and address, including postcode.