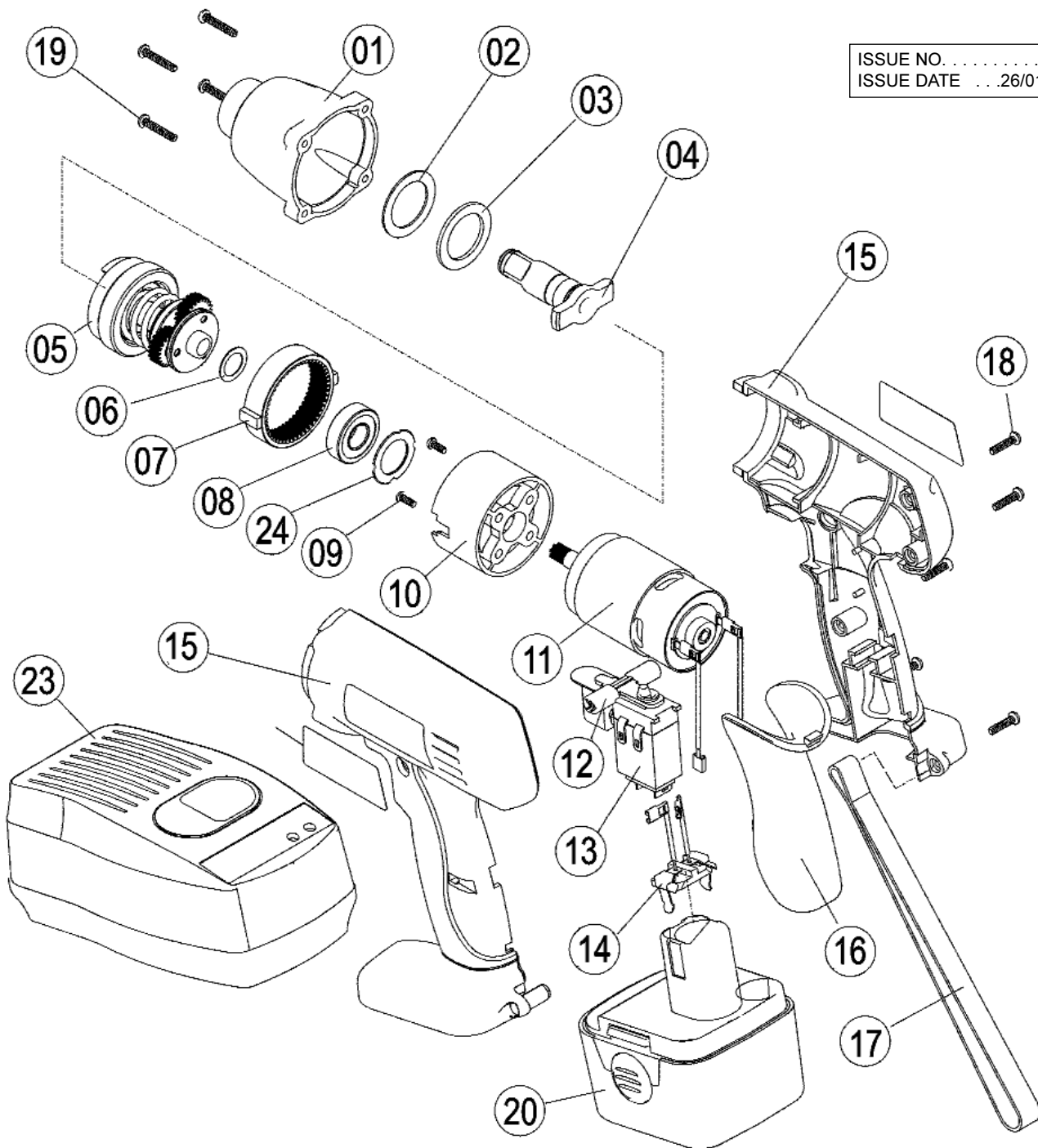


ISSUE NO.1
 ISSUE DATE ...26/01/05



Item	Part No.	Description	Item	Part No.	Description
1	CP1211.V2-01	Front Cover	12	CP3001.V2-11	Forward/Reverse Rod
2	CP1211.V2-02	Rubber Washer	13	CP1211.V2-14	Main Switch
3	CP1211.V2-03	Washer	14	CP3001.V2-13	Battery Connector Ass'y
4	CP1211.V2-04	Front Impact Assembly	15	CP1211.V2-16	Main Housing (R & L)
5	CP1211.V2-05	Rear Impact Assembly	16	CP3001.V2-15	Soft grip
6	CP1211.V2-06	Washer	17	CP3001.V2-16	Belt
7	CP3001.V2-07	Gear Ring	18	CP1211.V2-19	Housing screw
8	B/6001ZZ	Bearing, 6001ZZ	19	CP1211.V2-20	Front Cover Screws, 3.5 x 20mm
9	CP1211.V2-09	Screws	20	CP1211BP	Battery Pack
10	CP1211.V2-10	Gear Ring Holder	23	CP1211.V2-24	Battery Charger
11	CP1211.V3-11	Motor	24	CP1211.V3-24	Washer

NOTE: It is our policy to continually improve products and as such we reserve the right to alter data, specifications and component parts without prior notice.