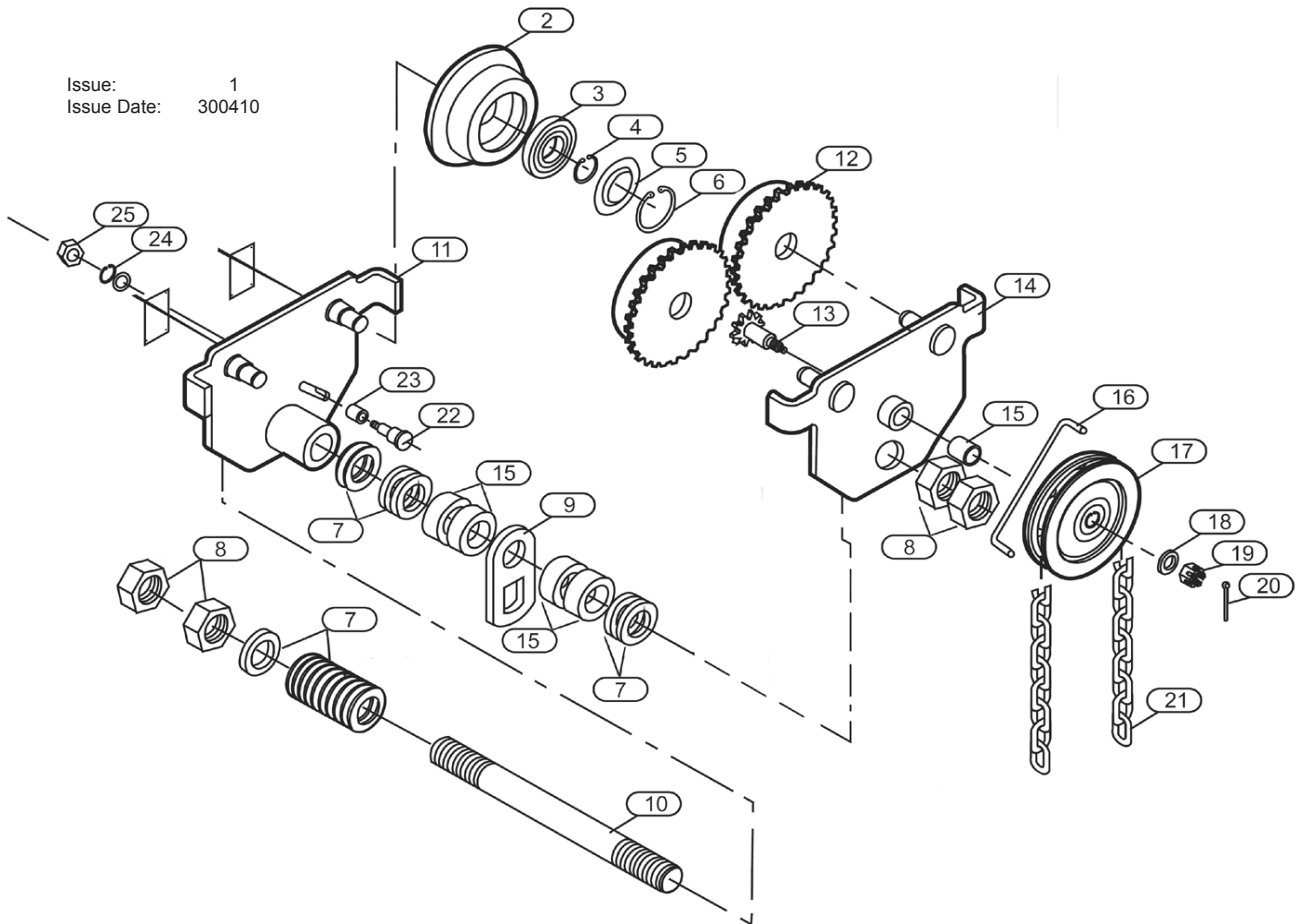


Issue: 1
 Issue Date: 300410



ITEM	PART NO	PART NO	DESCRIPTION
2	PT2000G.V2-02	PT3000G.V2-02	DRIVEN WHEEL
3	PT2000G.V2-03	PT3000G.V2-03	BEARING
4	PT2000G.V2-04	PT3000G.V2-04	RETAINING RING
5	PT2000G.V2-05	PT3000G.V2-05	BEARING RING
6	PT2000G.V2-06	PT3000G.V2-06	RETAINING RING
7	PT2000G.V2-07	PT3000G.V2-07	SPACER WASHER
8	PT2000G.V2-08	PT3000G.V2-08	HEX NUT
9	PT2000G.V2-09	PT3000G.V2-09	LIFTING RING
10	PT2000G.V2-10	PT3000G.V2-10	PIN
11	PT2000G.V2-11	PT3000G.V2-11	LEFT SIDE GEAR CASE ASS'Y
12	PT2000G.V2-12	PT3000G.V2-12	TOOTH GEAR
13	PT2000G.V2-13	PT3000G.V2-13	DRIVEN SPINDLE
14	PT2000G.V2-14	PT3000G.V2-14	RIGHT SIDE GEAR CASE ASS'Y
15	PT2000G.V2-15	PT3000G.V2-15	COPPER SLEEVE
16	PT2000G.V2-16	PT3000G.V2-16	CATCH PIN
17	PT2000G.V2-17	PT3000G.V2-17	CHAIN WHEEL
18	PT2000G.V2-18	PT3000G.V2-18	SPACER WASHER
19	PT2000G.V2-19	PT3000G.V2-19	HEX NUT
20	PT2000G.V2-20	PT3000G.V2-20	SPLIT PIN
21	PT2000G.V2-21	PT3000G.V2-21	CHAIN
22	PT2000G.V2-22	PT3000G.V2-22	ROLL SPINDLE
23	PT2000G.V2-23	PT3000G.V2-23	ROLL SLEEVE
24	PT2000G.V2-24	PT3000G.V2-24	SPRING WASHER
25	PT2000G.V2-25	PT3000G.V2-25	HEX NUT

NOTE: It is our policy to continually improve products and as such we reserve the right to alter data, specifications and component parts without prior notice.

IMPORTANT: No liability is accepted for incorrect use of product.

WARRANTY: Guarantee is 12 months from purchase date, proof of which will be required for any claim.

INFORMATION: For a copy of our latest catalogue and promotions call us on 01284 757525 and leave your full name and address, including postcode.