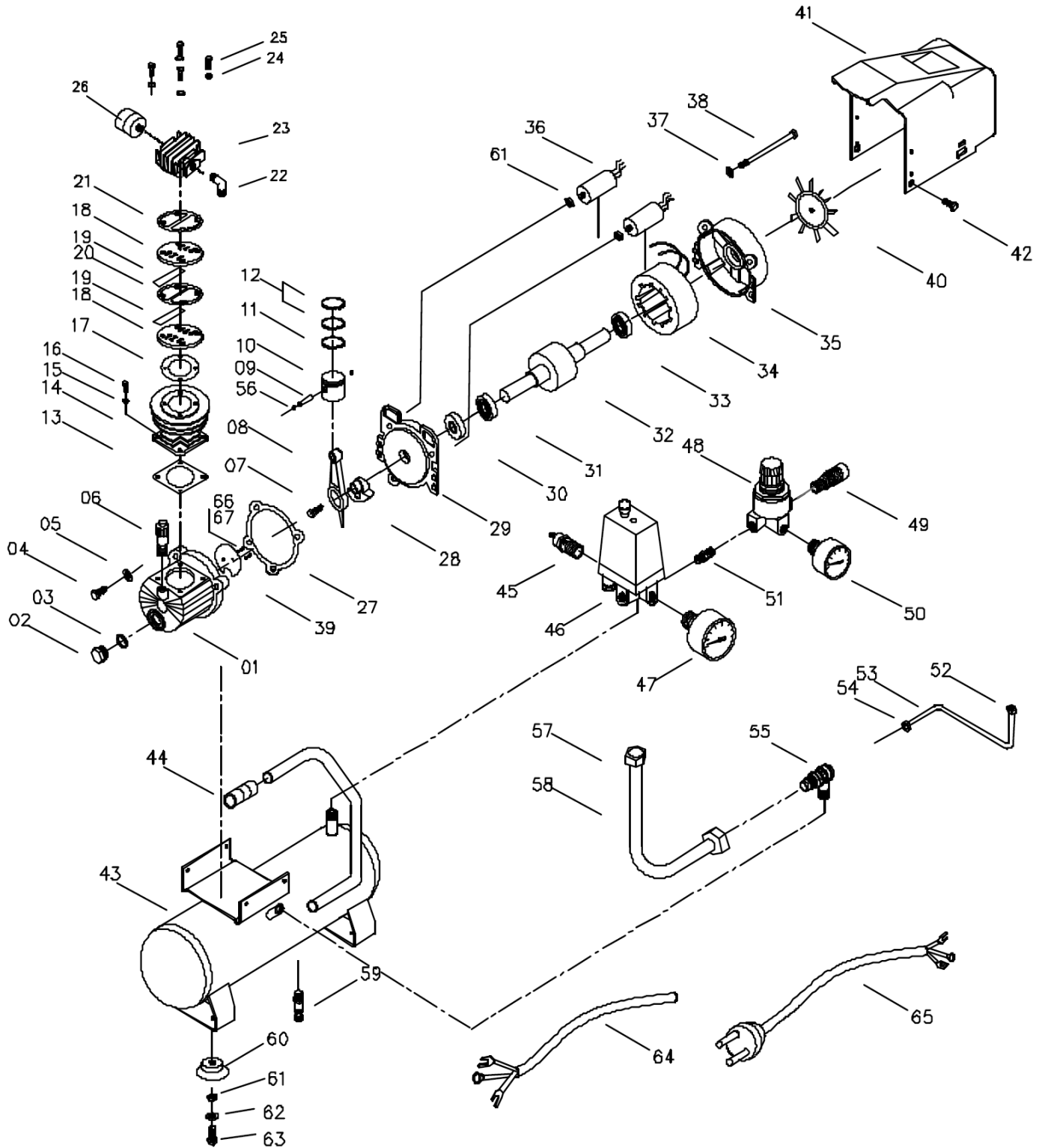




PARTS FOR :
COMPRESSOR 6LTR DIRECT DRIVE 1HP
MODEL : **SAC0610E.V2**



ISSUE : 1
ISSUE DATE : 12/12/13

NOTE: It is our policy to continually improve products and as such we reserve the right to alter data, specifications and component parts without prior notice.
IMPORTANT: No liability is accepted for incorrect use of product.
WARRANTY: Guarantee is 12 months from purchase date, proof of which will be required for any claim.
INFORMATION: For a copy of our latest catalogue and promotions call us on 01284 757525 and leave your full name and address, including postcode.



Sole UK Distributor,
Sealey Group, Kempson Way,
Suffolk Business Park,
Bury St Edmunds, Suffolk, IP32 7AR

01284 757500
01284 703534

www.sealey.co.uk
sales@sealey.co.uk



PARTS FOR :
COMPRESSOR 6LTR DIRECT DRIVE 1HP
MODEL : **SAC0610E.V2**

PAGE 2 OF 2

ITEM	PART NO	DESCRIPTION	ITEM	PART NO	DESCRIPTION
1	SAC0610EV2.01	CRANKCASE	35	SAC0610EV2.35	REAR CAP
2	SAC0610EV2.02	OIL SIGHT GLASS	36	SAC0610EV2.36	CAPACITOR
3	SAC0610EV2.03	SEAL	37	SAC0610EV2.37	SPRING WASHER
4	SAC0610EV2.04	BOLT	38	SAC0610EV2.38	BOLT
5	SAC0610EV2.05	WASHER	39	SAC0610EV2.39	CAPACITOR SUPPORT
6	SAC0610EV2.06	BREATHER	40	SAC0610EV2.40	FAN
7	SAC0610EV2.07	GASKET	41	SAC0610EV2.41	PUMP HOUSING
8	SAC0610EV2.08	CONNECTING ROD	42	SAC0610EV2.42	BOLT
9	SAC0610EV2.09	PISTON PIN	43	SAC0610EV2.43	TANK 6ltr
10	SAC0610EV2.10	PISTON	44	SAC0610EV2.44	HANDLE GRIP
11	SAC0610EV2.11	PISTON OIL RING	45	SAC0610EV2.45	SAFETY VALVE
12	SAC0610EV2.12	COMPRESSION RING	46	SAC0610EV2.46	PRESSURE SWITCH
13	SAC0610EV2.13	CYLINDER GASKET	47	SAC0610EV2.47	PRESSURE GAUGE
14	SAC0610EV2.14	CYLINDER	48	SAC0610EV2.48	REGULATOR
15	SAC0610EV2.15	SPRING WASHER	49	SAC0610EV2.49	QUICK COUPLER
16	SAC0610EV2.16	BOLT	50	SAC0610EV2.50	PRESSURE GAUGE
17	SAC0610EV2.17	VALVE GASKET	51	SAC0610EV2.51	CONNECTOR
18	SAC0610EV2.18	VALVE PLATE	52	SAC0610EV2.52	UNLOADING NUT
19	SAC0610EV2.19	VALVE REED	53	SAC0610EV2.53	UNLOADING PIPE
20	SAC0610EV2.20	VALVE PLATE GASKET	54	SAC0610EV2.54	UNLOADING NUT
21	SAC0610EV2.21	CYLINDER HEAD GASKET	55	SAC0610EV2.55	CHECK VALVE
22	SAC0610EV2.22	ELBOW	56	SAC0610EV2.56	CIRCLIP
23	SAC0610EV2.23	CYLINDER HEAD	57	SAC0610EV2.57	EXHUAUST NUT
24	SAC0610EV2.24	SPRING WASHER	58	SAC0610EV2.58	EXHUAUST PIPE
25	SAC0610EV2.25	BOLT	59	SAC0610EV2.59	DRAIN VALVE
26	SAC0610EV2.26	AIR FILTER	60	SAC0610EV2.60	RUBBER FOOT
27	SAC0610EV2.27	GASKET	61	SAC0610EV2.61	NUT
28	SAC0610EV2.28	CRANK SHAFT	62	SAC0610EV2.62	WASHER
29	SAC0610EV2.29	BRACKET	63	SAC0610EV2.63	BOLT
30	SAC0610EV2.30	SHAFT SEAL	64	SAC0610EV2.64	ELECTRICAL WIRE
31	SAC0610EV2.31	BEARING	65	SAC0610EV2.65	PLUG
32	SAC0610EV2.32	ROTOR	66	SAC0610EV2.66	BOLT
33	SAC0610EV2.33	BEARING	67	SAC0610EV2.67	SPRING WASHER
34	SAC0610EV2.34	STATOR			

ISSUE : 1
ISSUE DATE : 12/12/13

NOTE: It is our policy to continually improve products and as such we reserve the right to alter data, specifications and component parts without prior notice.

IMPORTANT: No liability is accepted for incorrect use of product.

WARRANTY: Guarantee is 12 months from purchase date, proof of which will be required for any claim.

INFORMATION: For a copy of our latest catalogue and promotions call us on 01284 757525 and leave your full name and address, including postcode.



Sole UK Distributor,
Sealey Group, Kempson Way,
Suffolk Business Park,
Bury St Edmunds, Suffolk, IP32 7AR



01284 757500



01284 703534



www.sealey.co.uk



sales@sealey.co.uk